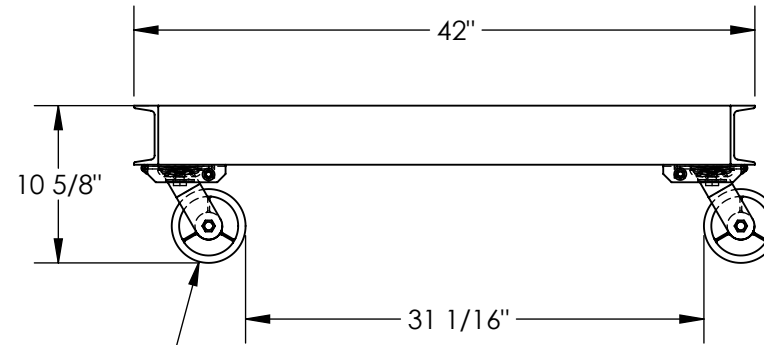
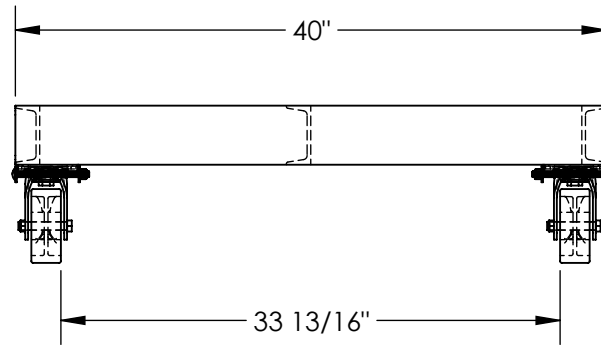
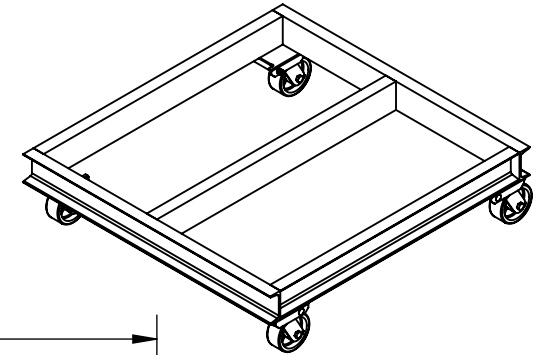


ALUMINUM CHANNEL DOLLIES - ACP-4042-20

APPROX WEIGHT: 71.78 lbs.
DOES NOT INCLUDE WEIGHT OF POWER OR PACKAGING!!!

*** ANY ADDITIONS, DELETIONS, OR OMISSIONS MUST BE CORRECTED ON THIS DRAWING AS THIS DRAWING WILL BE CONSIDERED ALL INCLUSIVE ***
ALL GRAPHICS PROVIDED ARE FOR REFERENCE ONLY. IF CERTAIN DIMENSIONS ARE CRITICAL PLEASE VERIFY THOSE DIMENSIONS WITH YOUR SALESPERSON



Ø 5" X 2" SWIVEL CASTER

STANDARD FEATURES

- MODEL NUMBER IS ACP-4042-20
- MAX CAPACITY IS 2,000 LBS
- OVERALL WIDTH IS 40"
- OVERALL LENGTH IS 42"
- OVERALL HEIGHT IS 10 5/8"
- Ø5" X 2" POLY ON STEEL
- 4- SWIVEL CASTERS

DIMENSION TOLERANCE ± 1/4"

APPROVAL	I, THE UNDERSIGNED, AGREE THAT THE PRODUCT AS REPRESENTED SATISFIES DESIGN AND DIMENSION REQUIREMENTS. I ALSO ACKNOWLEDGE MY DUTY TO CONFIRM PRODUCT AND INSTALLATION COMPLIANCE WITH ALL APPLICABLE FEDERAL, STATE AND LOCAL REGULATIONS AND STANDARDS.	
	ANY MODIFIED UNITS ARE NON-RETURNABLE	
	[] As drawn [] As marked	
	Signed: _____ Date: _____	
	Printed Name: _____	
<i>LEAD TIME WILL START UPON RECEIPT OF SIGNED APPROVAL DRAWING</i>		

SPECIAL FEATURES

NONE

FOR INTERNAL USE ONLY PROJECT SIGN OFF	
SALES	
ENG.	
FAB.	
POWER	

DISTRIBUTOR'S NAME:		P.O.#
VESTIL MANUFACTURING		X
W.O.#		X
DRAWN BY: B.HORN	DATE: 08/25/2015	SALES: X
REFERENCE: X	SCALE: 1:13	FILE NAME:
QUOTED LEAD TIME: X	QUOTE # X	16-007-104