



by Stevens Industries, Inc.
 704 West Main St.
 Teutopolis, IL 62467
 P: 800.350.3270
 P: 217-857-7100 • F: 217-857-7101
 www.totmate.com

TM2202R TMS303R

ATTENTION

Please unpack and assemble in an area away from children's activities. Remove all tools and excess materials from work area after assembly of unit is complete. Dispose of pallet and packaging materials in an environmentally friendly manner. If any parts are missing or damaged, please call Stevens for immediate parts replacement (1-800-350-3270). When ordering parts, give the Model Number and Color of the unit.



CAUTION – CHOKING HAZARD

Adult assembly required due to presence of small parts and sharp edges.

NOTE: ASSEMBLY INSTRUCTIONS REFERENCE ILLUSTRATIONS AND PART NUMBERS FOR THE TM2202R.



TM2202R
Toddler Compartment Storage

Parts List			
ITEM	QTY	PART #	DESCRIPTION
1	2	41XX-1471	End U
2	1	71XX-0641	Back
3	3	41XX-1472	Divider
4	1	51XX-1268	Shelf
5	1	51XX-1270	Top
6	1	51XX-1269	Bottom
7	16	0861-0203000000	Screw Conn HxDc Ni 7mmx 50mm
8	2	0861-0445000000	Screw Tapp PhWh Zinc #8 X 1.25



TMS303R
Preschool Compartment Storage

Parts List			
ITEM	QTY	PART #	DESCRIPTION
1	3	41XX-1474	Divider
2	2	41XX-1475	End U
3	1	51XX-1270	Top
4	1	51XX-1268	Shelf
5	1	51XX-1269	Bottom
6	1	71XX-0643	Back
7	2	0861-0445000000	Screw Tapp PhWh Zinc #8 X 1.25
8	16	0861-0203000000	Screw Conn HxDc Ni 7mmx 50mm



TM2202R – TMS303R

STEP-BY-STEP ASSEMBLY

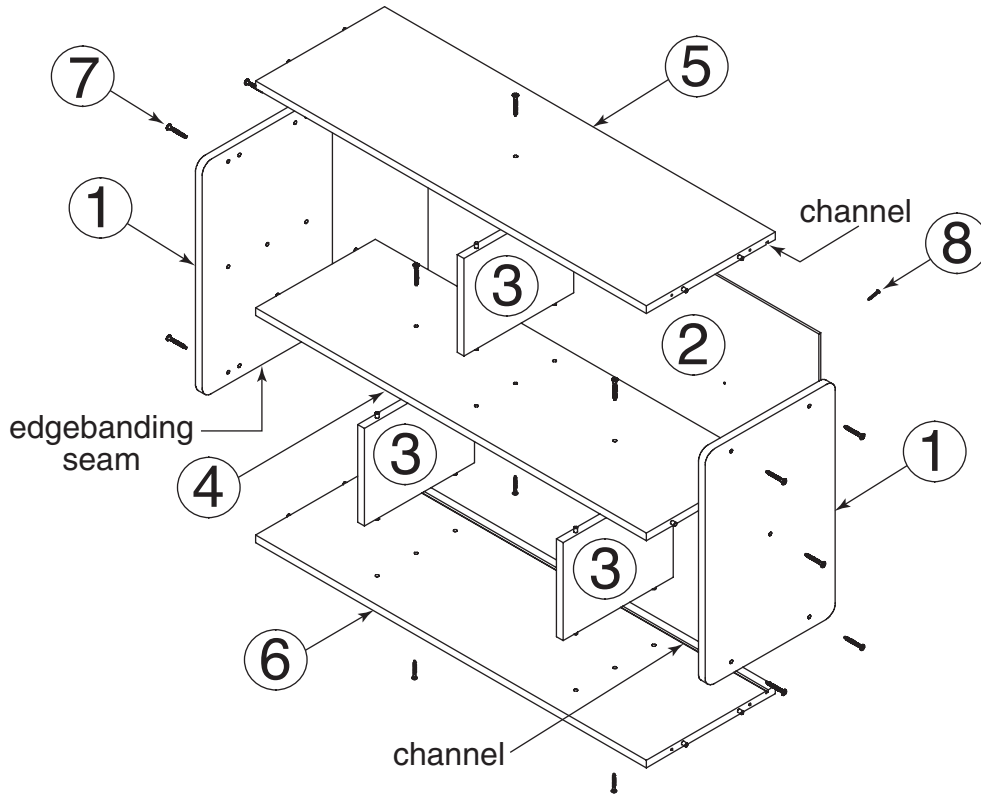
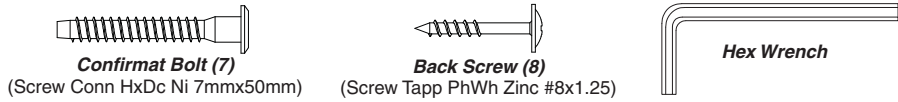
**ILLUSTRATIONS AND PART NUMBERS ARE FOR TM2202R.
BASIC ASSEMBLY INSTRUCTIONS ARE THE SAME FOR BOTH MODELS.
2-PERSON ASSEMBLY RECOMMENDED.**

IMPORTANT!

*Be sure to keep all parts supported during assembly to avoid damage.
Do not over-tighten screws or it will damage the pre-drilled holes;
snug fit is adequate.*

HARDWARE / TOOLS INCLUDED

(Phillips screwdriver required but not included.)



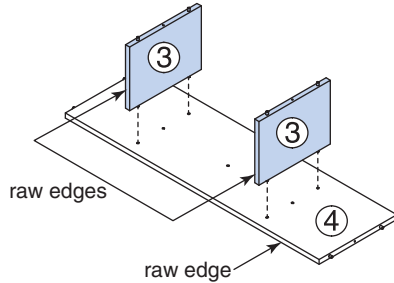
TM2202R Parts List			
ITEM	QTY	PART #	DESCRIPTION
1	2	41XX-1471	End U
2	1	71XX-0641	Back
3	3	41XX-1472	Divider
4	1	51XX-1268	Shelf
5	1	51XX-1270	Top
6	1	51XX-1269	Bottom
7	16	0861-0203000000	Screw Conn HxDc Ni 7mmx 50mm
8	2	0861-0445000000	Screw Tapp PhWh Zinc #8 X 1.25



STEP-BY-STEP ASSEMBLY

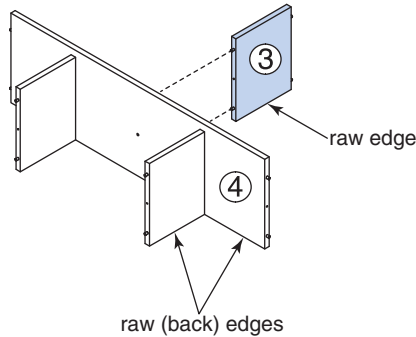
STEP 1

Lay **Shelf (4)** flat on floor, with side having the most holes facing up. Insert dowels on two **Dividers (3)** into holes on **Shelf (4)**, making sure raw edges of all parts are facing same direction. Press firmly into place.



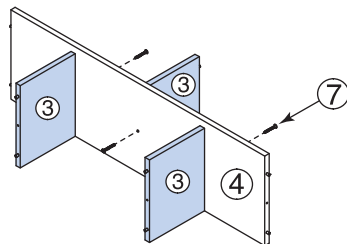
STEP 2

Carefully position assembly with raw edges flat on floor. NOTE: Raw edges face back of unit. Insert dowels on other **Divider (3)** into holes on other side of **Shelf (4)**. Make sure all raw edges are flat on floor. Press firmly into place.



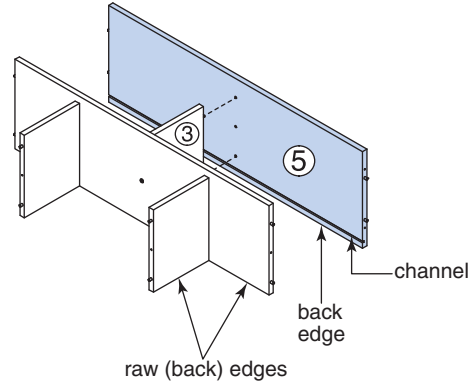
STEP 3

Secure **Dividers (3)** to **Shelf (4)** with three **Confirmat Bolts (7)**, using the included **Hex Wrench**.



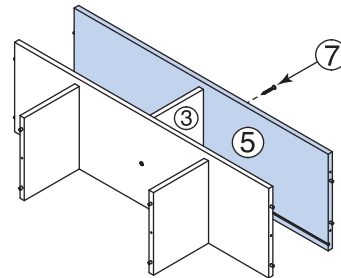
STEP 4

Align holes on **Top (5)** with dowels on **Divider (3)** that was installed in **Step 2**. Make sure back edge of **Top (5)** and all raw (back) edges are facing toward floor. Press firmly into place.



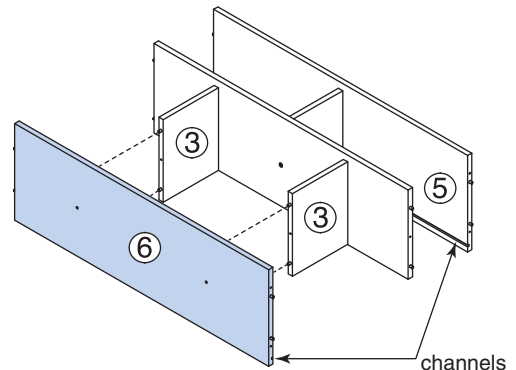
STEP 5

Secure **Top (5)** to **Divider (3)** with **Confirmat Bolt (7)**.



STEP 6

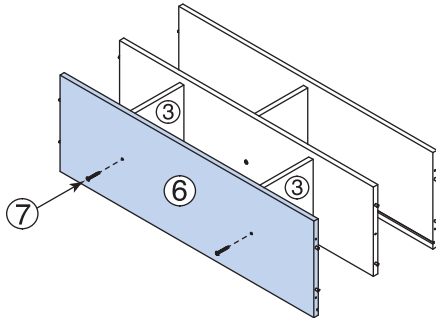
Align holes on **Bottom (6)** with dowels on other two **Dividers (3)**. Make sure channel on **Bottom (6)** aligns with channel on **Top (5)**. Press firmly into place.



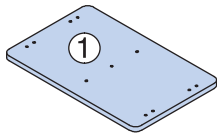


STEP-BY-STEP ASSEMBLY

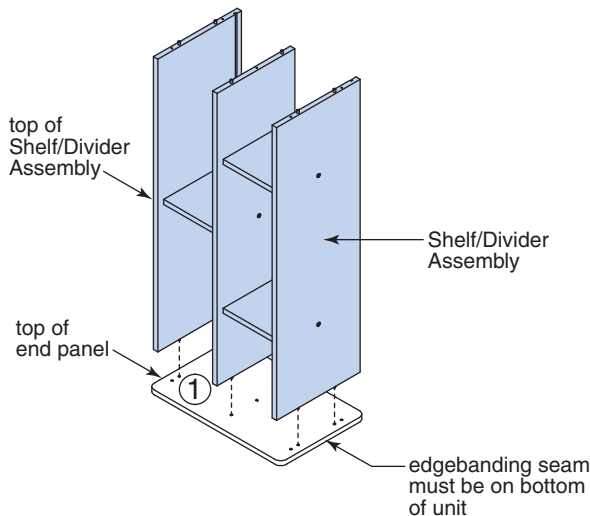
STEP 7 Secure **Bottom (6)** to **Dividers (3)** with two **Confirmat Bolts (7)**. This completes the **Shelf/Divider Assembly** referenced in **Step 9**.



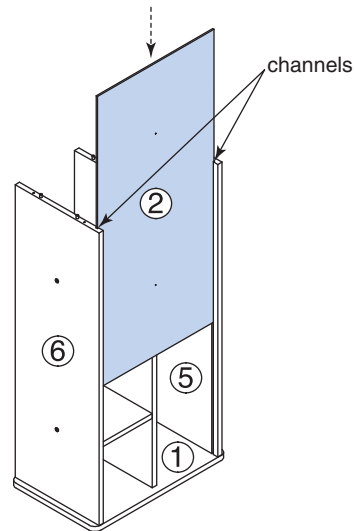
STEP 8 Lay one **End (1)** flat on floor, with side having the most holes facing up.



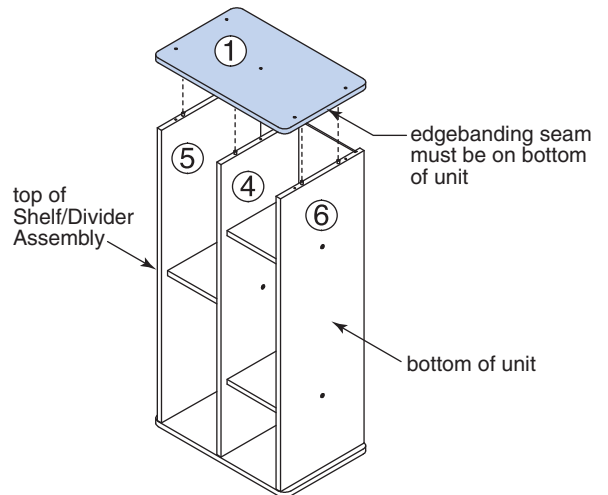
STEP 9 Insert dowels on one end of **Shelf/Divider Assembly** into holes on **End (1)**. Press firmly into place. **IMPORTANT: Edgebanding seam on both Ends (1) must be on bottom of unit when assembly is complete.**



STEP 10 Slide **Back (2)** into channels on **Top (5)** and **Bottom (6)**. Seat firmly against **End (1)**.



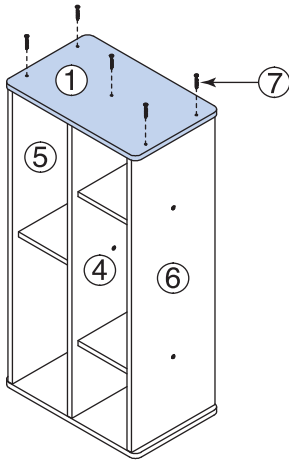
STEP 11 Position other **End (1)** on top of assembly, so dowels on **Top (5)**, **Bottom (6)** and **Shelf (4)** align with holes on **End (1)**. Make sure edgebanding seam on **End (1)** is facing toward bottom of unit. **Edgebanding seam on both Ends (1) must be facing same direction.** Press **End (1)** firmly into place.



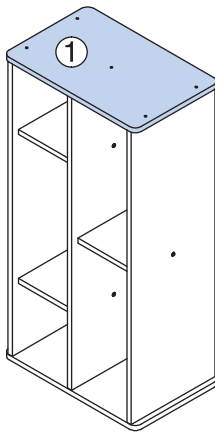


STEP-BY-STEP ASSEMBLY

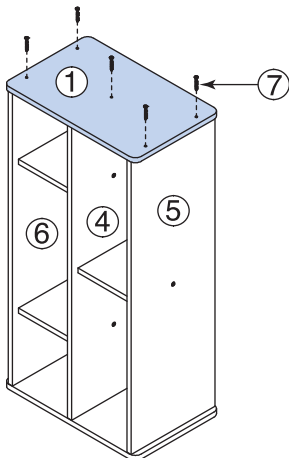
STEP 12 Secure **End (1)** to **Top (5)**, **Bottom (6)** and **Shelf (4)** with five **Confirmat Bolts (7)**.



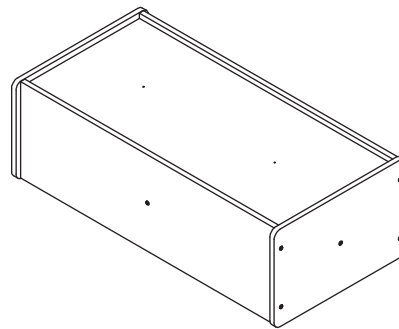
STEP 13 Carefully turn unit over, so other **End (1)** is facing up.



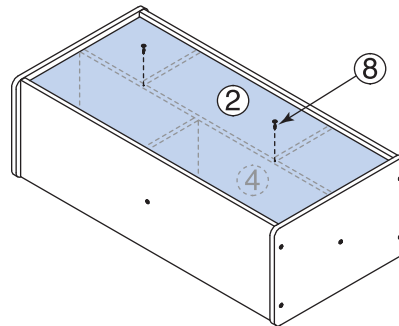
STEP 14 Repeat **Step 12** to secure **End (1)** to **Top (5)**, **Bottom (6)** and **Shelf (4)**.



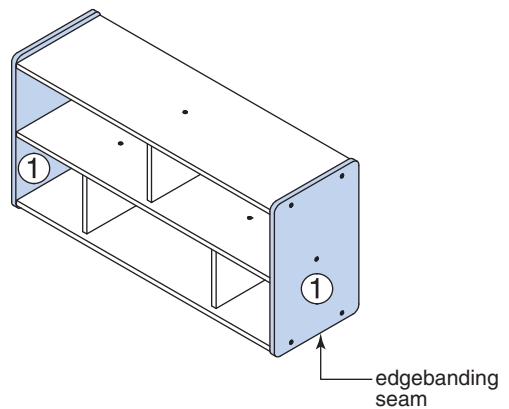
STEP 15 Carefully position unit with front edges on floor and back facing up.



STEP 16 Secure **Back (2)** to **Shelf (4)** with **Back Screws (8)**. (Phillips screwdriver not included.) **IMPORTANT! Make sure Back Screws are centered on raw edge of Shelf and inserted straight into Shelf. This is necessary to prevent Back Screws from protruding through and damaging Shelf surface.**



STEP 17 Carefully stand unit upright. Make sure edgebanding seams on **Ends (1)** are on bottom of unit.



STEP 18 Ensure that all joints, bolts and screws are tight.

This completes the assembly.