



by Stevens Industries, Inc.  
 704 West Main St.  
 Teutopolis, IL 62467  
 P: 800.350.3270  
 P: 217-857-7100 • F: 217-857-7101  
 www.totmate.com

**TM2134R**  
**TM2135R**  
**TM2136R**

**ATTENTION**

Please unpack and assemble in an area away from children's activities. Remove all tools and excess materials from work area after assembly of unit is complete. Dispose of pallet and packaging materials in an environmentally friendly manner. If any parts are missing or damaged, please call Stevens for immediate parts replacement (1-800-350-3270). When ordering parts, give the Model Number and Color of the unit.



**CAUTION – CHOKING HAZARD**

Adult assembly required due to presence of small parts and sharp edges.

**NOTE: ASSEMBLY INSTRUCTIONS REFERENCE ILLUSTRATIONS AND PART NUMBERS FOR THE TM2136R.**



**TM2134R**  
**6" Activity Chair**

			Parts List	
ITEM	QTY	PART #		DESCRIPTION
1	1	4163-0044	End L	
2	1	4163-0045	End R	
3	2	51XX-1315	Seat	
4	8	0861-0203000000	Screw Conn HxDc Ni	7mmx 50mm



**TM2135R**  
**8" Activity Chair**

			Parts List	
ITEM	QTY	PART #		DESCRIPTION
1	1	4163-0046	End L	
2	1	4163-0047	End R	
3	2	51XX-1315	Seat	
4	8	0861-0203000000	Screw Conn HxDc Ni	7mmx 50mm



**TM2136R**  
**10" Activity Chair**

			Parts List	
ITEM	QTY	PART #		DESCRIPTION
1	1	4163-0048	End L	
2	1	4163-0049	End R	
3	1	61XX-0653	Rail	
4	2	51XX-1315	Seat	
5	10	0861-0203000000	Screw Conn HxDc Ni	7mmx 50mm



# TM2134R – TM2135R – TM2136R

## STEP-BY-STEP ASSEMBLY

**ILLUSTRATIONS AND PART NUMBERS ARE FOR TM2136R.  
BASIC ASSEMBLY INSTRUCTIONS ARE THE SAME FOR ALL 3 MODELS.  
2-PERSON ASSEMBLY RECOMMENDED.**

**IMPORTANT!**

*Be sure to keep all parts supported during assembly to avoid damage.  
Do not over-tighten screws or it will damage the pre-drilled holes;  
snug fit is adequate.*

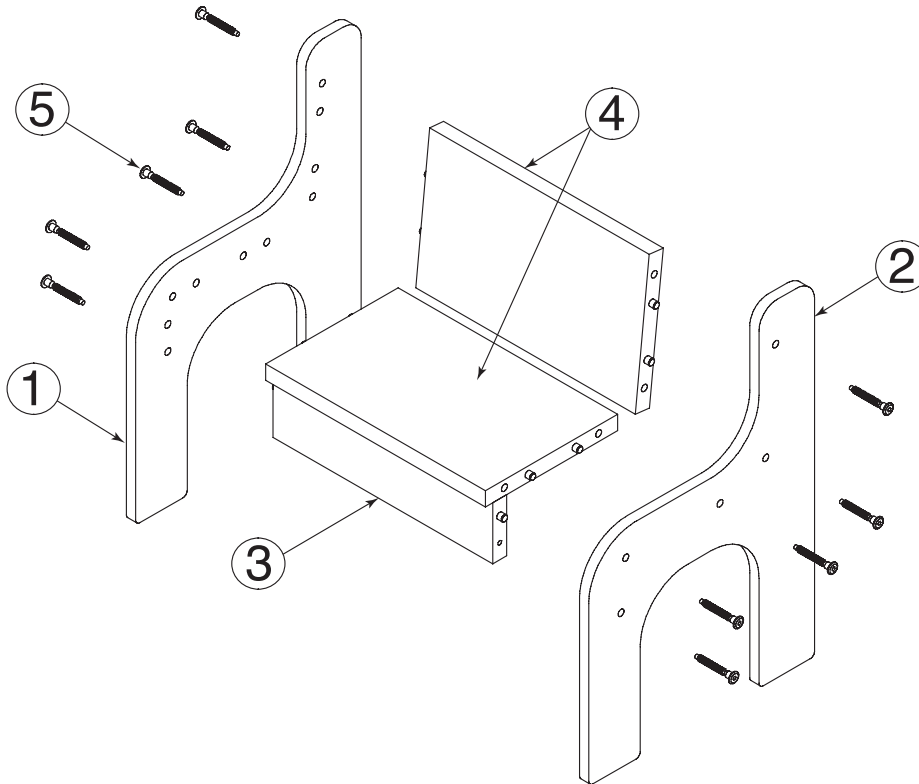
### HARDWARE / TOOLS INCLUDED



**Confirmat Bolt (5)**  
(Screw Conn HxDc Ni 7mmx50mm)



**Hex Wrench**



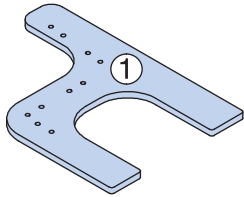
TM2136R Parts List			
ITEM	QTY	PART #	DESCRIPTION
1	1	4163-0048	End L
2	1	4163-0049	End R
3	1	61XX-0653	Rail
4	2	51XX-1315	Seat
5	10	0861-0203000000	Screw Conn HxDc Ni 7mmx 50mm



**STEP-BY-STEP ASSEMBLY**

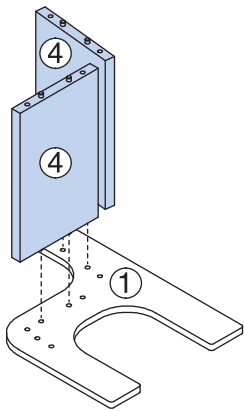
**STEP 1**

Lay **Left End (1)** flat on floor, with side having the most holes facing up.



**STEP 2**

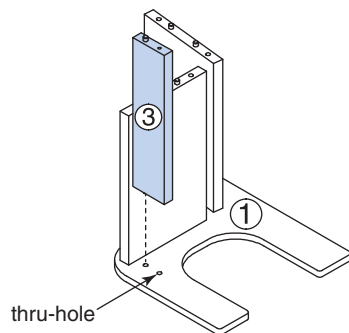
Insert dowels on both **Seats (4)** into holes on **Left End (1)**. Press firmly into place.



*(NOTE: TM2134R and TM2135R have no Rail. Skip to STEP 4 for those models and disregard references to the Rail.)*

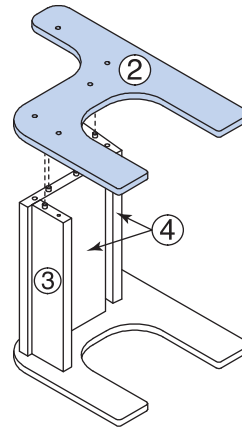
**STEP 3**

Insert dowel on **Rail (3)** into remaining hole on **Left End (1)**, making sure hole on **Rail (3)** is aligned with thru-hole on **Left End (1)**. Press firmly into place.



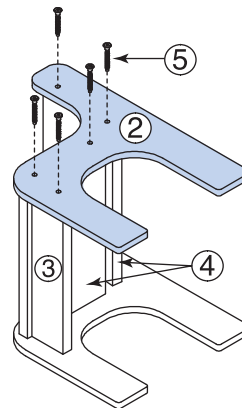
**STEP 4**

Position **Right End (2)** on top of assembly, making sure dowels on **Seats (4)** and **Rail (3)** align with holes in **Right End (2)**. Press firmly into place.



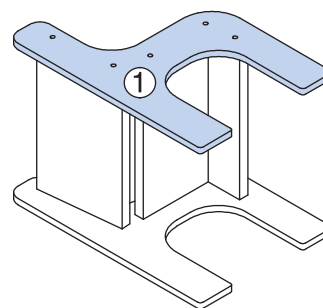
**STEP 5**

Secure **Right End (2)** to **Seats (4)** and **Rail (3)** with five **Confirmat Bolts (5)**, using the included **Hex Wrench**.



**STEP 6**

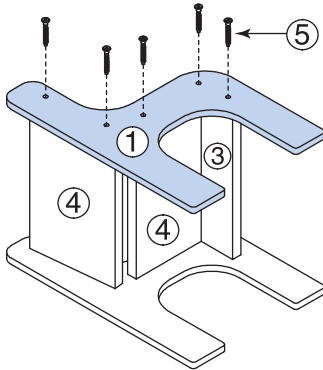
Carefully turn unit over, so **Left End (1)** is facing up.



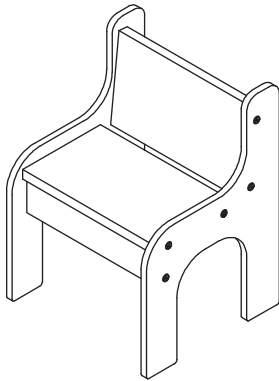


**STEP-BY-STEP ASSEMBLY**

**STEP 7** Repeat **Step 5** to secure **Left End (1)** to **Seats (4)** and **Rail (3)**.



**STEP 8** Carefully stand unit upright.



**STEP 9** Ensure that all joints and bolts are tight.

*This completes the assembly.*