



# PARTS LIST:

## 20X30 SUKKAH



24- 4 FT POLE

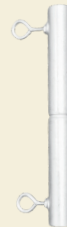
6- 4 WAY CONNECTORS

11- T CONNECTORS



64- 5 FT POLE

2- BASES



35- 2 WAY CONNECTORS



23- 10 SUKKAH TIES



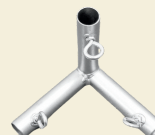
9- 8X10 WALL



2- L CONNECTORS

3- X CONNECTORS

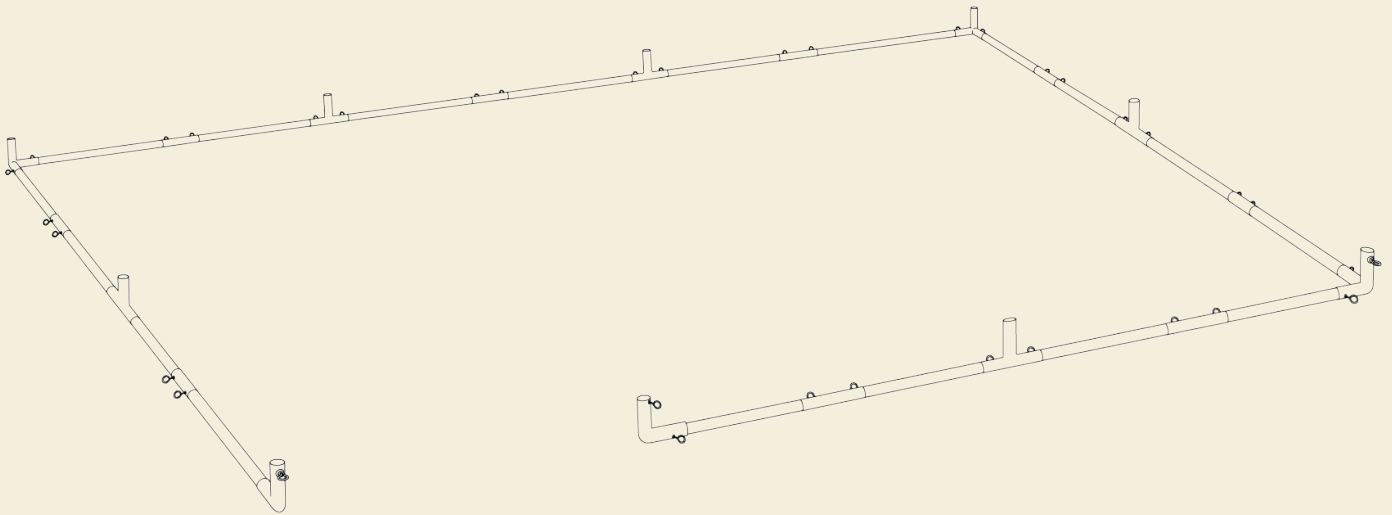
2- 5 WAY CONNECTORS



7- CORNER CONNECTOR



**Step 1:**  
Lay the base.

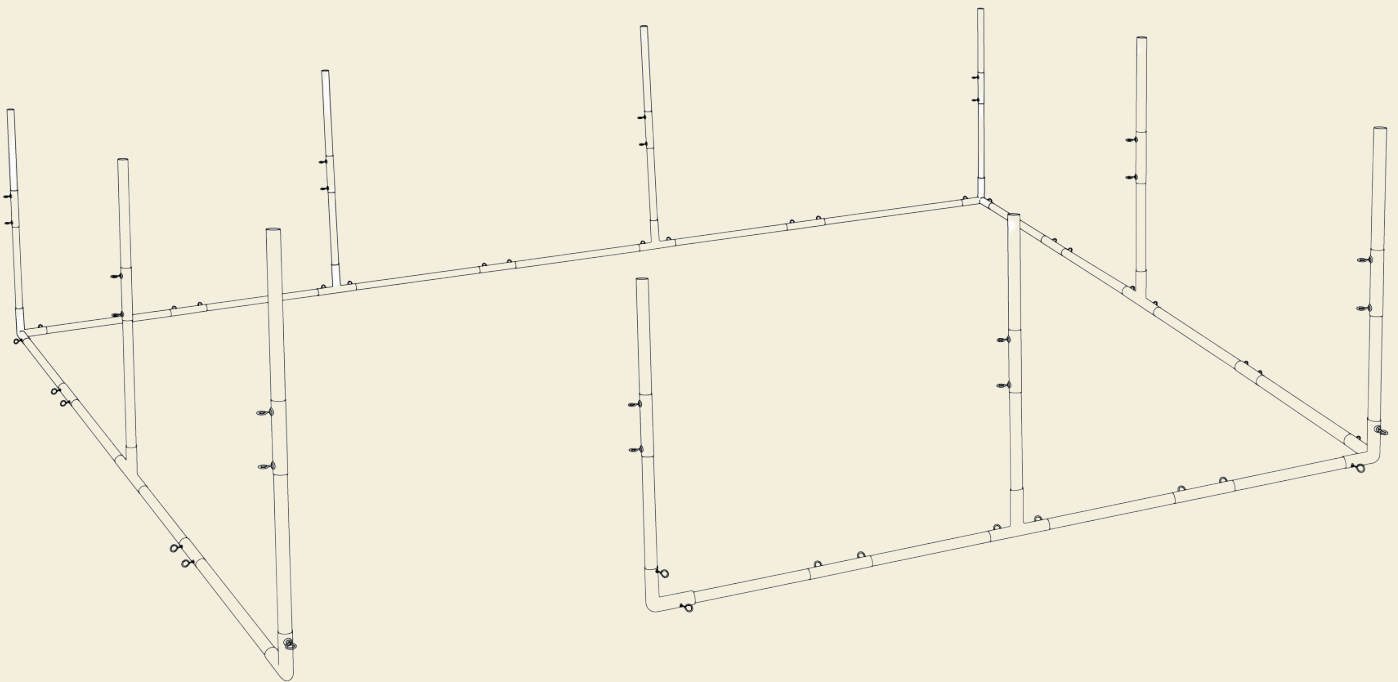


All of the horizontal frame poles are 5 feet long.



## Step 2:

Fit the poles upwards into the base.

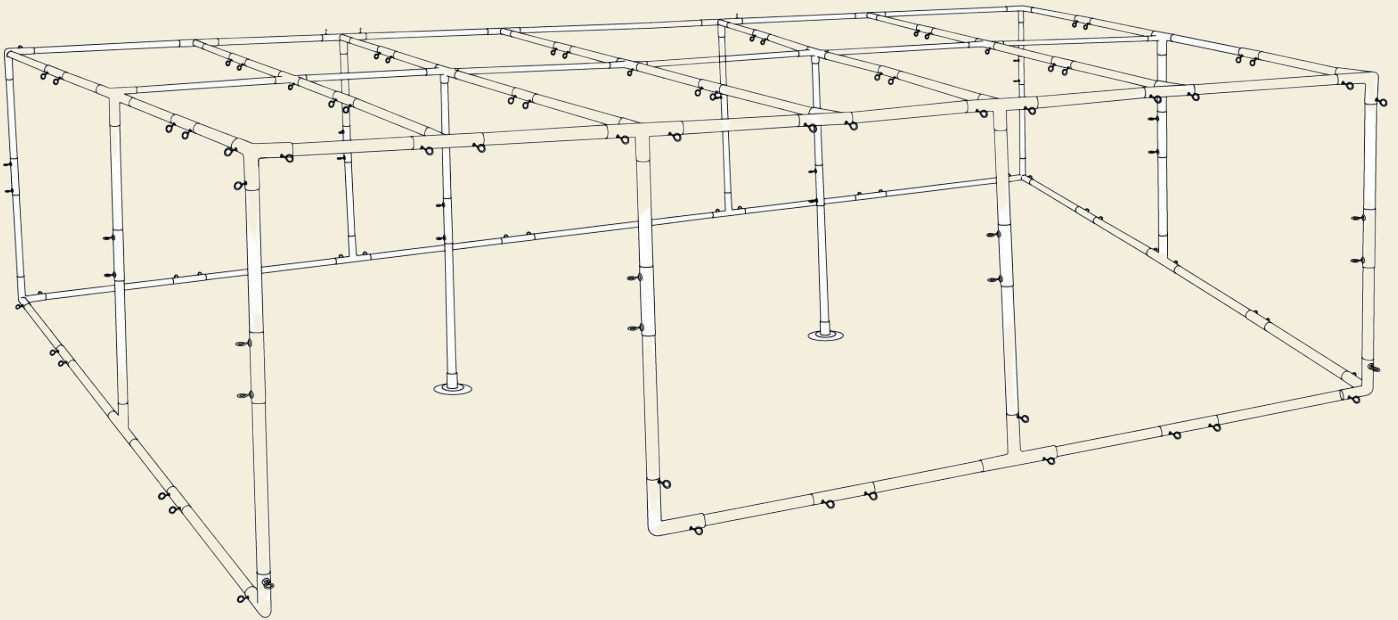


The upward poles are all 4 feet long. Take 2 - 4 foot poles and connect them using a 2-Way Connector to create an 8 foot vertical pole.



### Step 3:

Complete the base with the roofing poles.



The horizontal poles are all 5 feet, and the vertical poles are made up of 2 - 4 ft poles attached together with a 2-Way Connector - just like the horizontal poles from Step 2.



**Thank you for trusting  
The Sukkah Store!  
Chag Sameach!**

[www.TheSukkahStore.com](http://www.TheSukkahStore.com)

(310) 988-1221

