



PARTS LIST:

20X40 SUKKAH



82- 5 FT POLES

4- X CONNECTORS



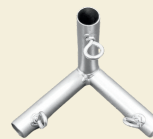
30- 4FT POLE

3- 5 WAY CONNECTORS

3- BASES

8- 4 WAY CONNECTORS

15- T CONNECTORS



7- CORNER CONNECTORS



2- L CONNECTORS



44- 2 WAY CONNECTORS



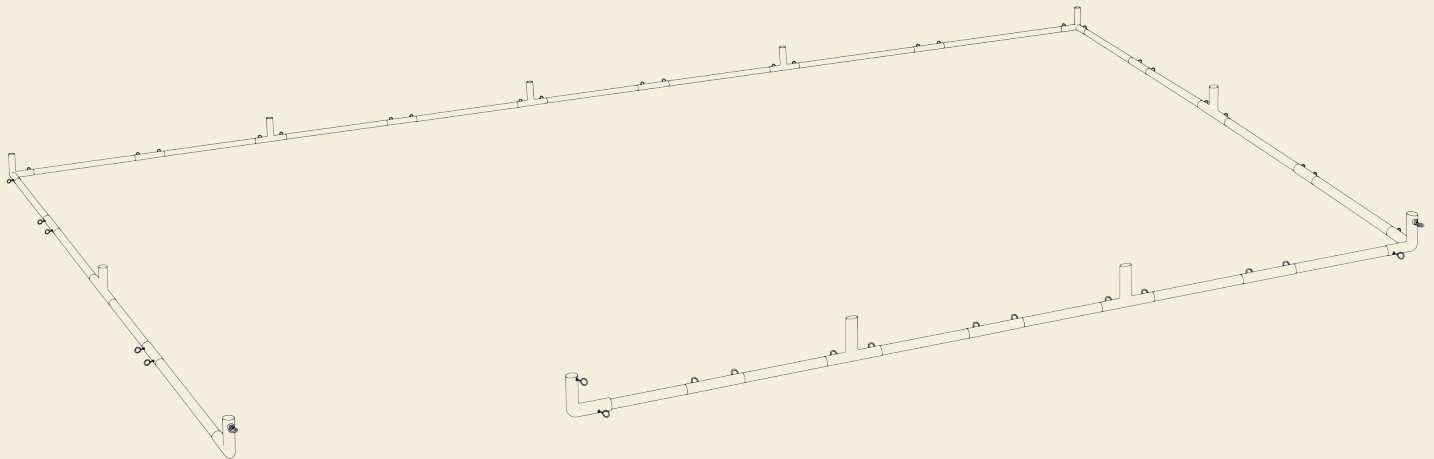
27- 10 SUKKAH TIES



11- 8X10 WALLS



Step 1:
Lay the base.

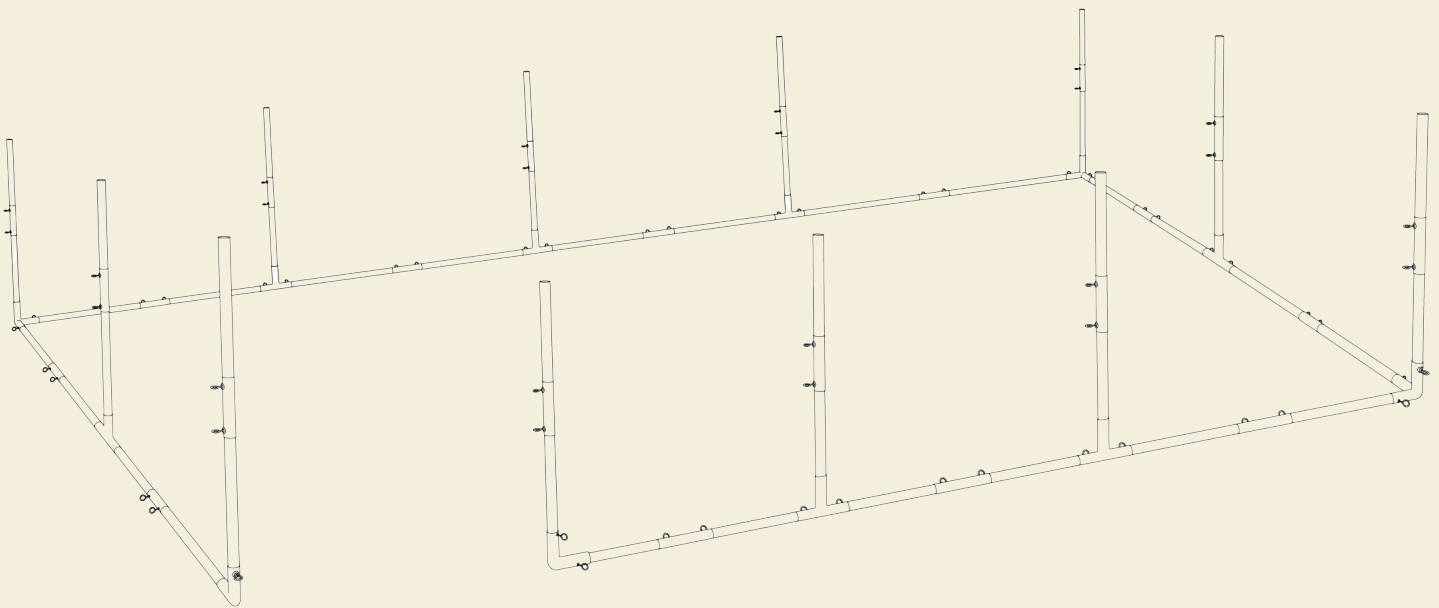


All of the horizontal frame poles are 5 feet long.



Step 2:

Fit the poles upwards into the base.

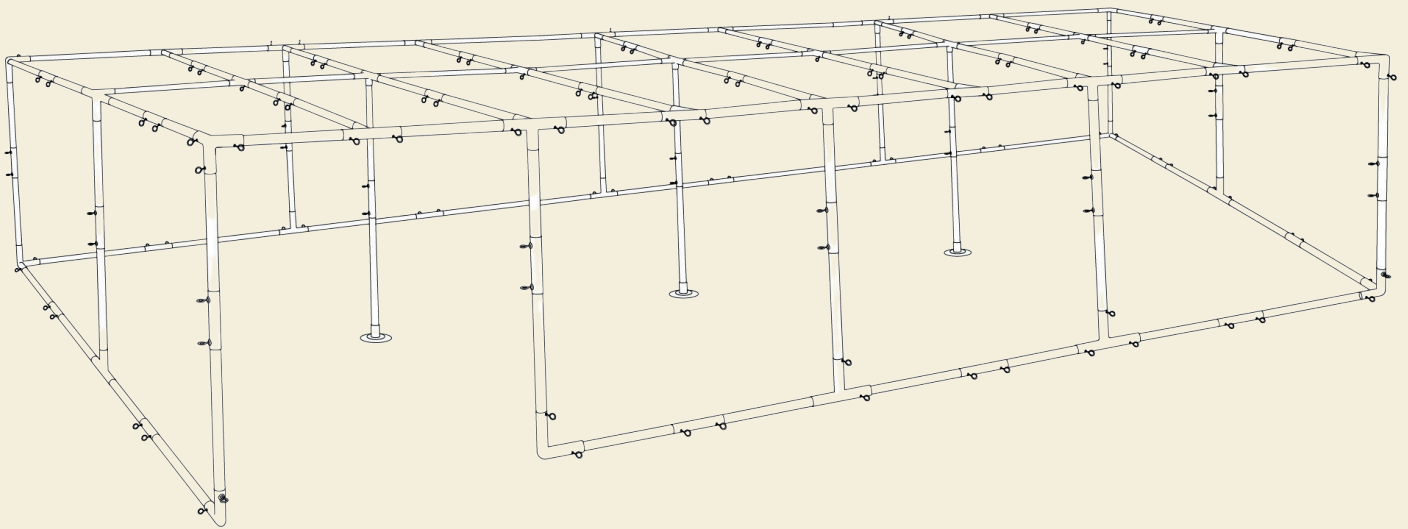


The upward poles are all 4 feet long. Take 2 - 4 foot poles and connect them using a 2-Way Connector to create an 8 foot vertical pole.



Step 3:

Complete the base with the roofing poles.



The horizontal poles are all 5 feet, and the vertical poles are made up of 2 - 4 ft poles attached together with a 2-Way Connector - just like the horizontal poles from Step 2.



**Thank you for trusting
The Sukkah Store!
Chag Sameach!**

www.TheSukkahStore.com

(310) 988-1221

