



# PARTS LIST

## 20X20 SUKKAH



18- 4FT POLE



46- 5FT POLE



26- 2 WAY CONNECTOR

4- 4 WAY CONNECTOR



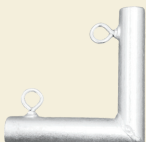
18- 10 SUKKAH TIES

2- X PIECES



7- CORNER CONNECTORS

7- T CONNECTORS



2- L CONNECTORS



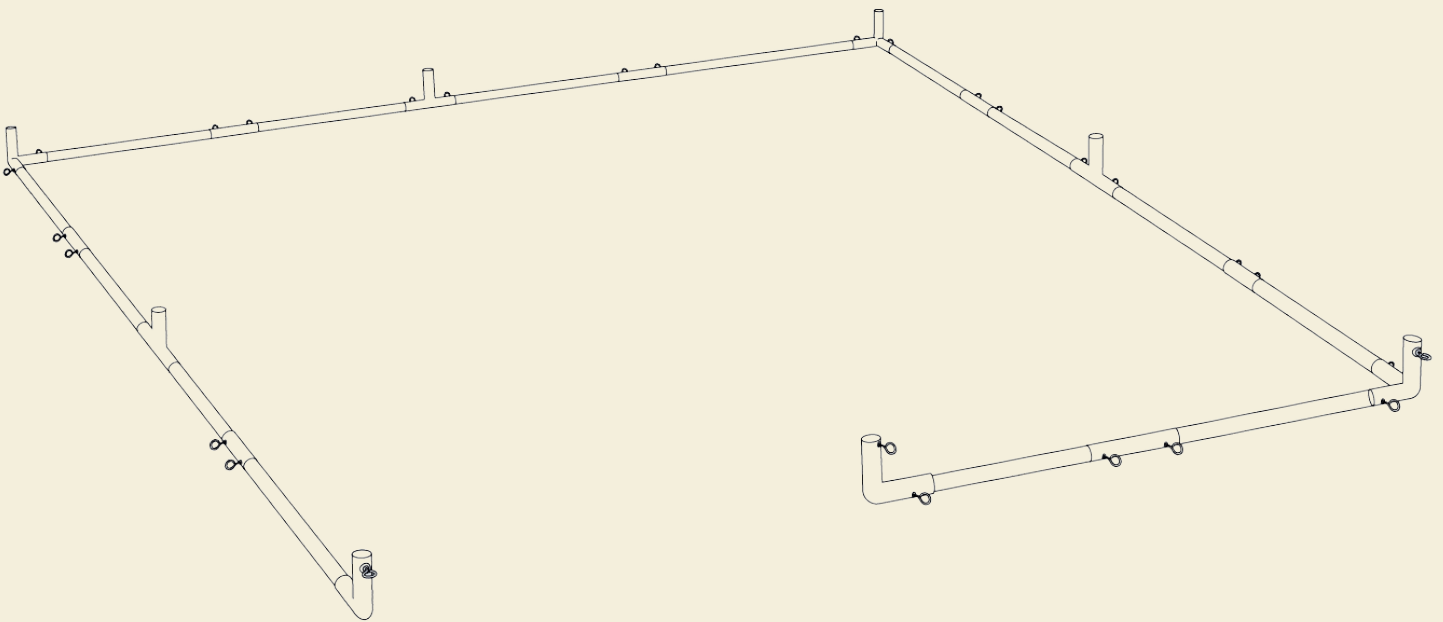
7- 8X10 WALL

1- 5 WAY CONNECTOR

1- BASE



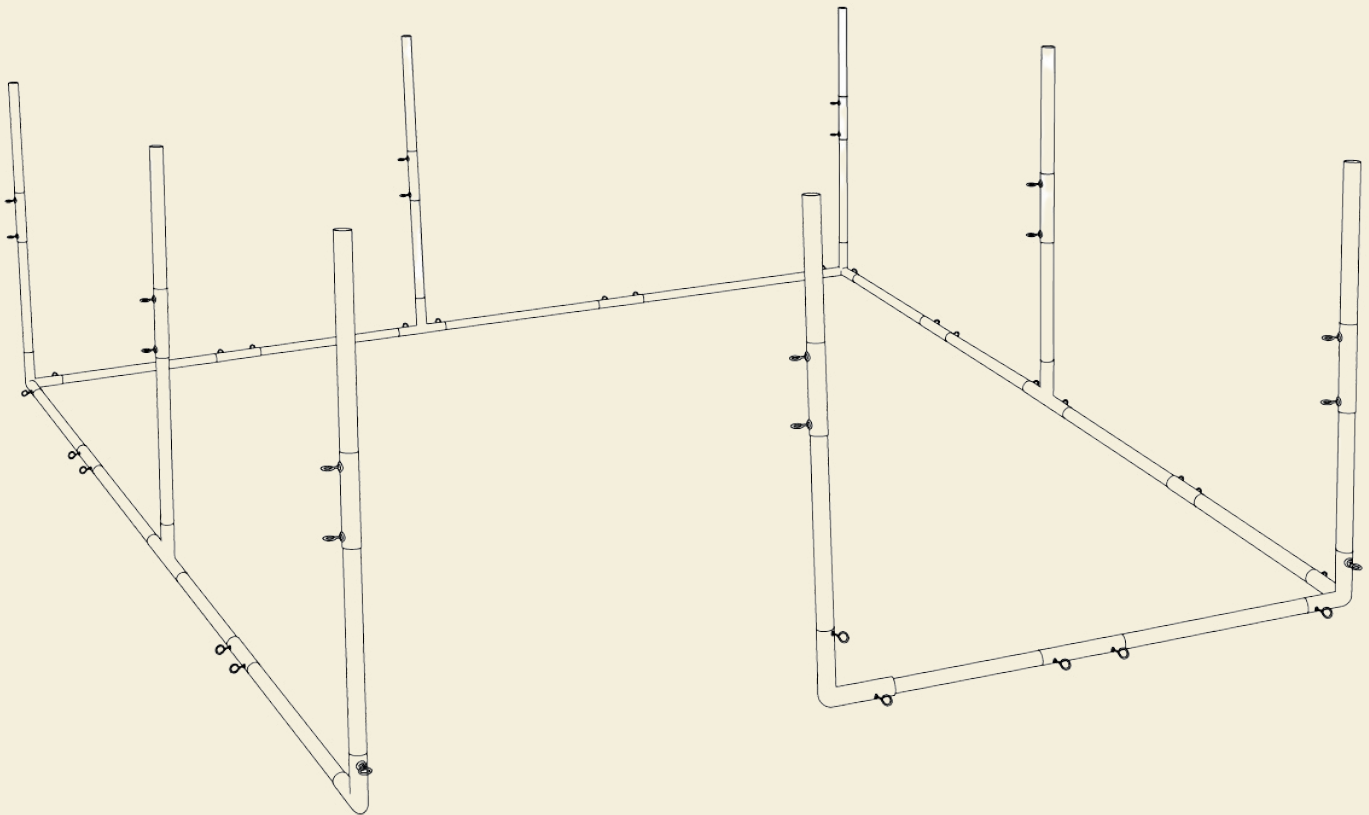
**Step 1:**  
Lay the base.



All of the horizontal frame poles are 5 feet long.

## Step 2:

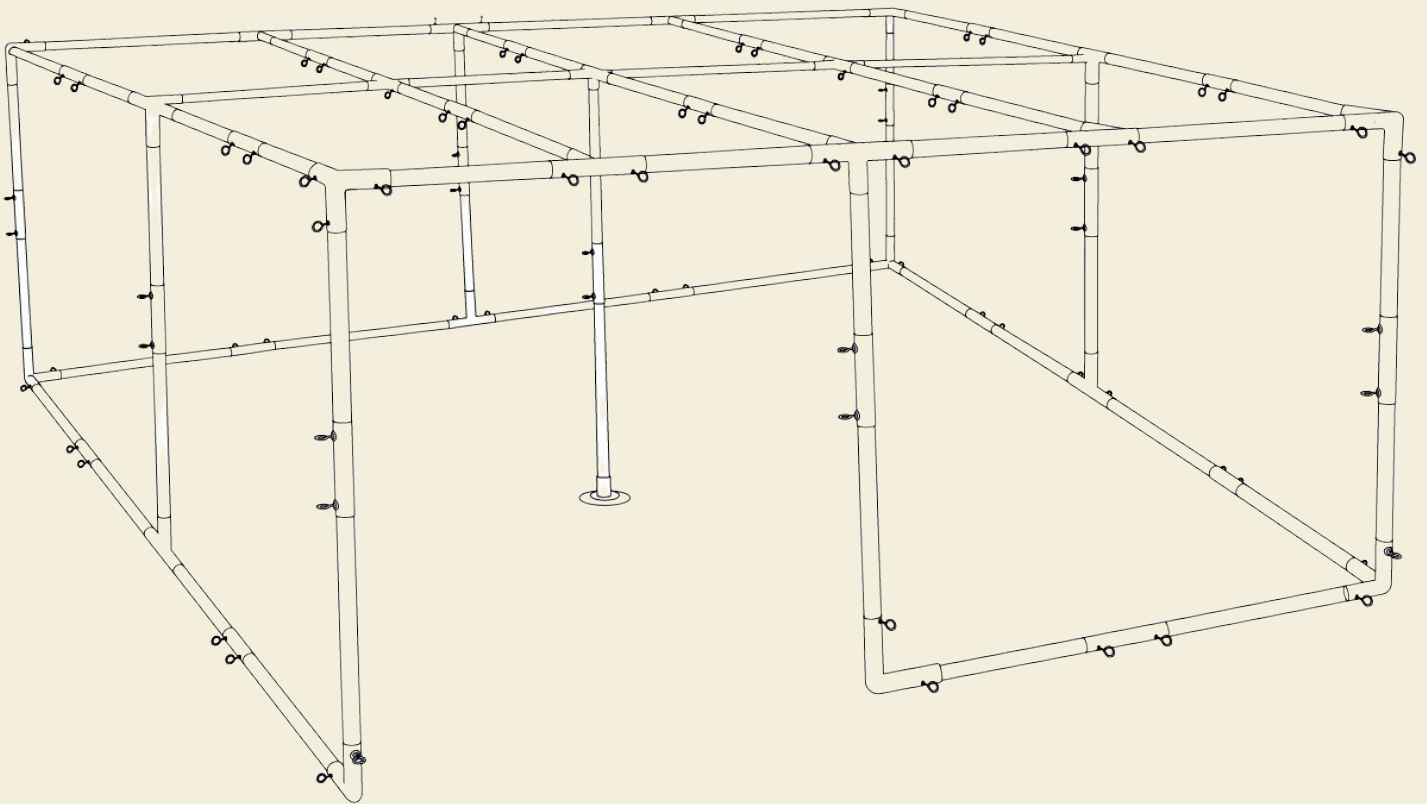
Fit the poles upwards into the base.



The upward poles are all 4 feet long. Take 2 - 4 foot poles and connect them using a 2-Way Connector to create an 8 foot vertical pole.

### Step 3:

Complete the base with the roofing poles as well as the vertical support pole.



The horizontal poles are all 5 feet, and the vertical pole is made up of 2 - 4 ft poles.



**Thank you for trusting  
The Sukkah Store!  
Chag Sameach!**

[www.TheSukkahStore.com](http://www.TheSukkahStore.com)

(310) 988-1221

