


# Dell PowerEdge R350

## Technical Guide

## Notes, cautions, and warnings

 **NOTE:** A NOTE indicates important information that helps you make better use of your product.

 **CAUTION:** A CAUTION indicates either potential damage to hardware or loss of data and tells you how to avoid the problem.

 **WARNING:** A WARNING indicates a potential for property damage, personal injury, or death.

<b>Chapter 1: System overview.....</b>	<b>6</b>
Key workloads.....	6
New technologies.....	6
<b>Chapter 2: System features and generational comparison.....</b>	<b>8</b>
<b>Chapter 3: Chassis views and features.....</b>	<b>10</b>
Chassis views.....	10
Front view of the system.....	10
Rear view of the system.....	11
Inside the system.....	12
Quick Resource Locator.....	13
<b>Chapter 4: Processor.....</b>	<b>14</b>
Processor features .....	14
Supported processors.....	14
<b>Chapter 5: Memory subsystem.....</b>	<b>16</b>
Supported memory.....	16
Memory speed.....	16
<b>Chapter 6: Storage.....</b>	<b>17</b>
Storage controllers.....	17
Storage controller feature matrix.....	17
Internal storage configuration.....	19
Server storage controllers User Guide.....	19
iDSDM.....	19
Internal USB.....	20
RAID - Redundant Array of Independent Disks.....	20
Datasheets and PERC performance scaling decks.....	20
Boot Optimized Storage Solution.....	21
Supported Drives.....	22
External Storage.....	23
<b>Chapter 7: Networking.....</b>	<b>24</b>
Overview.....	24
<b>Chapter 8: Expansion cards and expansion card risers.....</b>	<b>25</b>
Expansion card installation guidelines.....	25
<b>Chapter 9: Power, thermal, and acoustics.....</b>	<b>28</b>
Power.....	28
Thermal design.....	29

PowerEdge R350 acoustics.....	30
Acoustical performance.....	31
<b>Chapter 10: Rack, rails, and cable management.....</b>	<b>33</b>
Rack Rails.....	33
<b>Chapter 11: Supported operating systems.....</b>	<b>39</b>
<b>Chapter 12: Dell EMC OpenManage systems management.....</b>	<b>40</b>
Server and Chassis Managers.....	41
Dell EMC consoles.....	41
Automation Enablers.....	41
Integration with third-party consoles.....	41
Connections for third-party consoles.....	41
Dell EMC Update Utilities.....	41
Dell resources.....	41
<b>Chapter 13: Dell Technologies Services .....</b>	<b>43</b>
Dell EMC ProDeploy Enterprise Suite .....	43
Dell EMC ProDeploy Plus.....	44
Dell EMC ProDeploy.....	44
Basic Deployment.....	44
Dell EMC ProDeploy for HPC.....	44
Dell EMC Server Configuration Services.....	45
Dell EMC Residency Services.....	45
Dell EMC Data Migration Service.....	45
Dell EMC ProSupport Enterprise Suite.....	45
Dell EMC ProSupport Plus for Enterprise.....	46
Dell EMC ProSupport for Enterprise.....	46
Dell EMC ProSupport One for Data Center.....	47
ProSupport for HPC.....	47
Support Technologies.....	47
Services for Data Security.....	48
Dell Technologies Education Services.....	49
Dell Technologies Consulting Services.....	49
Dell EMC Remote Consulting Services.....	49
Dell EMC Managed Services.....	49
<b>Chapter 14: Appendix A. Additional specifications.....</b>	<b>50</b>
Chassis dimensions.....	50
Chassis weight.....	51
NIC port specifications.....	51
Video specifications.....	51
USB Ports.....	52
Power Supply Units.....	52
Environmental specifications.....	53
Thermal restrictions.....	54
<b>Chapter 15: Appendix B. Standards compliance.....</b>	<b>55</b>

**Chapter 16: Appendix C Additional resources.....56**

# System overview

The Dell EMC™ PowerEdge™ R350 is Dell's latest 1-socket, 1U rack server that is designed to run complex workloads using highly scalable memory, and network options. The system features the one Intel® Xeon Scalable Processor up to 4 DIMMs, PCI Express® (PCIe) 4.0 enabled expansion cards.

Key capabilities:

- One Intel® Xeon® E-2300 series processor with up to 8 cores per processor
- Four DDR4 DIMM slots, supports UDIMM 128 GB max, speeds up to 3200 MT/s
- Two redundant Hot-plug AC or DC power supply units
- Up to 8 x 2.5-inch or 4 x 3.5-inch SAS/SATA HDD/SSD drives
- Internal Boot: iDSM or internal USB board
- iDRAC9 with lifecycle controller: Express, Enterprise, Datacenter, and OpenManage Enterprise advanced feature
- Rear access hot-plug BOSS-S2
- Onboard LOM 1 GbE x2
- RAID: PERC 10.5 and PERC 11 SW and HW RAID, and internal PERC
- PCI Express® (PCIe) 4.0 expansion slots

## Topics:

- [Key workloads](#)
- [New technologies](#)

## Key workloads

PowerEdge R350 is versatile enough to address many customer segments and workloads affordably, that includes:

- SMB and ROBO: Data consolidation, file/print services, mail/messaging services, other collaboration and productivity applications, point of sale and web serving.

## New technologies

**Table 1. New technologies**

Technology	Detailed Description
Intel® Xeon E-2300 series processors	<ul style="list-style-type: none"> <li>• Core count: Up to 8 cores per processor</li> </ul>
Memory	<ul style="list-style-type: none"> <li>• 4 DDR4 DIMM slot, supports UDIMM 128 GB max, speeds up to 3200 MT/s</li> <li>• Supports unregistered ECC DDR4 DIMMs only</li> </ul>
Flex IO	<ul style="list-style-type: none"> <li>• Broadcom 5720 Dual port 1GbE</li> <li>• USB 3.0 x1, USB 2.0 x2 and VGA port</li> <li>• Serial port</li> </ul>
PCIe	3 x PCIe Gen4 slots
Chipset (CHPST)	Intel C256 chipset
Dedicated PERC	Internal controllers: <ul style="list-style-type: none"> <li>• H355</li> <li>• H345</li> <li>• HBA355i</li> </ul>

**Table 1. New technologies (continued)**

<b>Technology</b>	<b>Detailed Description</b>
	<ul style="list-style-type: none"><li>• H755</li></ul> External controllers: <ul style="list-style-type: none"><li>• HBA355e</li></ul>
Power Supplies	<ul style="list-style-type: none"><li>• 600 W Platinum 100-240 V AC or 240 V DC redundant, hot swap</li><li>• 700 W Titanium 100-240 V AC or 240 V DC redundant, hot swap</li></ul>

## System features and generational comparison

The following table shows the comparison between the PowerEdge R350 with the PowerEdge R340.

**Table 2. Features comparison**

Feature	PowerEdge R350	PowerEdge R340
Processor	One Intel Xeon E-2300 series processors with up to 8 cores or one Intel Pentium processor with up to 2 cores	Coffee Lake-S E3-1200 V6 series. Pentium and celeron up to 95 W
Memory	4 DDR4 DIMM slot, supports UDIMM 128 GB max, speeds up to 3200 MT/s  Supports unregistered ECC DDR4 DIMMs only	DDR4 up to 2666 MT/s, memory support 8,16 GB DDR4 UDIMMs
Storage drives	<ul style="list-style-type: none"> <li>Up to 4 x 3.5-inch SAS/SATA (HDD/SSD)</li> <li>Up to 8 x 2.5-inch SAS/SATA (HDD/SSD)</li> <li>Max 80TB for 4 HDD configurations</li> </ul>	<ul style="list-style-type: none"> <li>Up to 8 x 2.5-inch hot-plug SAS/SATA (SSD)</li> <li>Up to 4 x 3.5-inch hot-plug SAS/SATA (SSD)</li> </ul>
Storage controllers	<p>Internal Controllers</p> <ul style="list-style-type: none"> <li>PERC H355, PERC H355f, PERC H345, PERC H755, PERC H755f, HBA355i, PERC H345f, HBA355f</li> </ul> <p>External Controllers</p> <ul style="list-style-type: none"> <li>HBA355e</li> </ul> <p>Software RAID</p> <ul style="list-style-type: none"> <li>S150</li> </ul>	<p>Internal Controllers</p> <ul style="list-style-type: none"> <li>PERC H330, H730p, HBA330</li> </ul> <p>External Controllers</p> <ul style="list-style-type: none"> <li>12Gbps SAS HBA</li> </ul> <p>Software RAID</p> <ul style="list-style-type: none"> <li>S140</li> </ul>
PCIe slots	<p>3 x PCIe Gen4 slots</p> <ul style="list-style-type: none"> <li>1x8 Gen4 (x16 connector) low profile, half length</li> <li>1x8 Gen4 (x8 connector) low profile, half length</li> <li>1x4 Gen4 (x8 connector) for dedicated PERC only</li> </ul>	<p>2 x PCIe Gen3 slots</p> <ul style="list-style-type: none"> <li>1x8 Gen4 (x16 connector) low profile/Full-height, half length</li> <li>1x8 Gen4 (x8 connector) low profile, half length</li> </ul>
Embedded NIC (LOM)	2 x 1GbE LOM	2 x 1GbE LOM
USB ports	<p>Front Ports</p> <ul style="list-style-type: none"> <li>1 x iDRAC Direct (Micro-AB USB) port</li> <li>1 x USB 2.0</li> </ul> <p>Rear Ports</p> <ul style="list-style-type: none"> <li>1 x USB 2.0</li> <li>1 x USB 3.0</li> </ul>	<p>Front Ports</p> <ul style="list-style-type: none"> <li>2 x USB 2.0</li> </ul> <p>Rear Ports</p> <ul style="list-style-type: none"> <li>2 x USB 3.0</li> </ul> <p>Internal Ports</p> <ul style="list-style-type: none"> <li>1 x USB 3.0</li> </ul>



**Table 2. Features comparison (continued)**

<b>Feature</b>	<b>PowerEdge R350</b>	<b>PowerEdge R340</b>
	Internal Ports <ul style="list-style-type: none"> <li>• 1 x USB 3.0 (Optional)</li> </ul>	
Rack height	1U	1U
Power supplies	<ul style="list-style-type: none"> <li>• 600 W Platinum 100-240 V AC or 240 V DC redundant, hot swap</li> <li>• 700 W Titanium 100-240 V AC or 240 V DC redundant, hot swap</li> </ul>	Single or dual 350 W or 550 W hot-plug redundant platinum power supplies (100–240 V AC)
Embedded management	<ul style="list-style-type: none"> <li>• iDRAC9</li> <li>• iDRAC Direct</li> <li>• iDRAC Service Module</li> <li>• iDRAC RESTful API with Redfish</li> </ul>	<ul style="list-style-type: none"> <li>• iDRAC Direct</li> <li>• iDRAC RESTful API with Redfish</li> <li>• iDRAC9 Enterprise</li> </ul>
Front IO	<ul style="list-style-type: none"> <li>• Power button w/LED x1</li> <li>• ID button w/LED x1</li> <li>• USB 2.0 x1</li> <li>• iDRAC MGMT USB x1</li> <li>• System Status LED x1</li> </ul>	<ul style="list-style-type: none"> <li>• Power button w/LED x1</li> <li>• ID button w/LED x1</li> <li>• USB 2.0 x1</li> <li>• iDRAC MGMT USB x1</li> <li>• System Status LED x1</li> </ul>

# Chassis views and features

## Topics:

- Chassis views

## Chassis views

### Front view of the system

Figure 1. Front view of 8 x 2.5-inch drive system

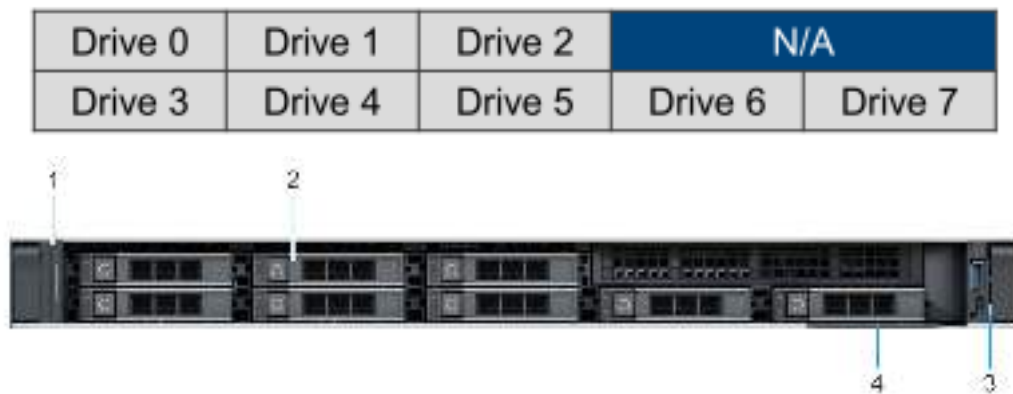


Table 3. Features available on the front of the system

Item	Ports, panels, and slots
1	Left control panel
2	Drive
3	Right control panel
4	Information tag

Figure 2. Front view of 4 x 3.5-inch drive system

ODD		N/A	
Drive 0	Drive 1	Drive 2	Drive 3

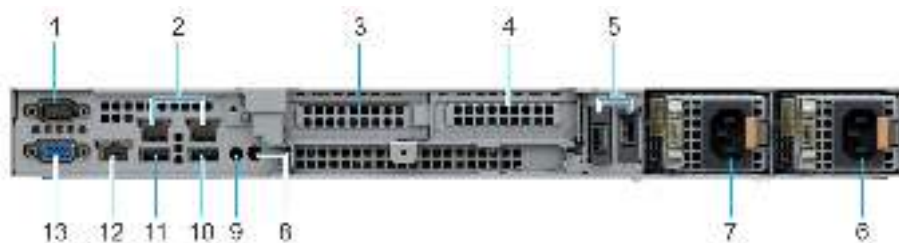


**Table 4. Features available on the front of the system**

Item	Ports, panels, and slots
1	Left control panel
2	ODD
3	Drive
4	Right control panel
5	Information tag

For more information about the ports, see the [www.dell.com/poweredgemanuals](http://www.dell.com/poweredgemanuals) section.

## Rear view of the system

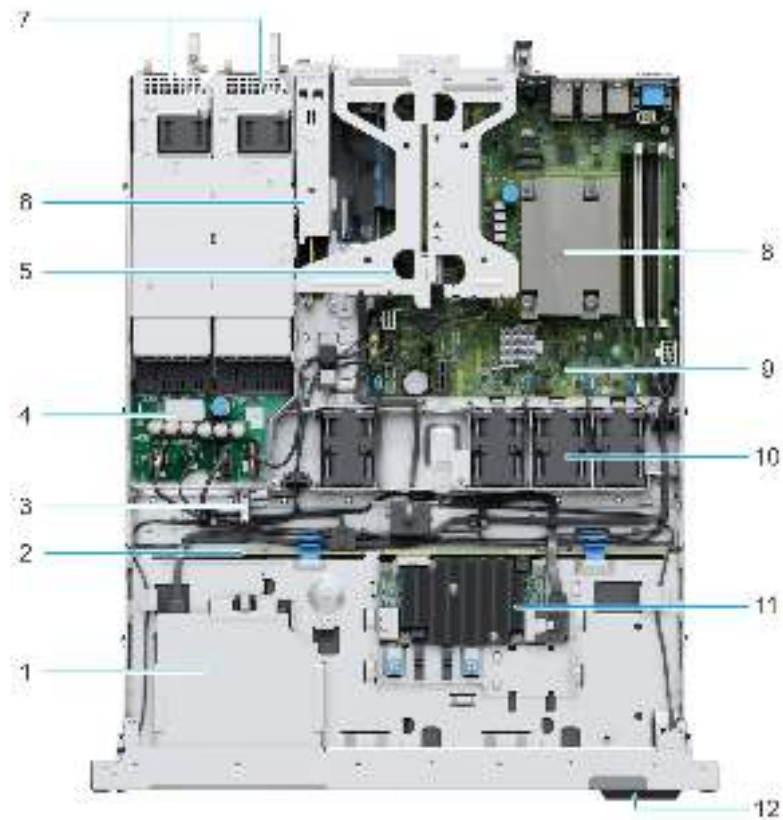


**Figure 3. Rear view of the system 8 x 3.5-inch**

**Table 5. Rear view of the system ports**

Item	Ports, panels, or slots
1	Serial connector
2	Ethernet ports
3	PCIe expansion card slot 1
4	PCIe expansion card slot 2
5	BOSS riser slots
6	Power supply unit (PSU 2)
7	Power supply unit (PSU 1)
8	System ID button
9	CMA jack
10	USB 3.2 Gen 1 port
11	USB 2.0 port
12	iDRAC ethernet port
13	VGA port

## Inside the system



**Figure 4. Inside the system**

- |                     |                           |
|---------------------|---------------------------|
| 1. ODD              | 2. Drive backplane        |
| 3. Intrusion switch | 4. Power interposer board |
| 5. Butterfly riser  | 6. BOSS module            |
| 7. PSU 1 and PSU 2  | 8. Heat sink              |
| 9. System board     | 10. Fan                   |
| 11. fPERC module    | 12. Information tag       |

## Quick Resource Locator



Figure 5. Quick Resource Locator for R350

# Processor



## Topics:

- [Processor features](#)

## Processor features

The following lists the features and functions that are in the upcoming Intel® Xeon E-2300 series processor offering:

- As an entry level server - Small businesses require reliability and security to support their critical business and customer data needs
- As an edge device or appliance - Edge servers or appliances with energy efficiency and performance at entry level prices
- As a secure cloud server - Protect the most sensitive portions of a workload or service with hardware-enhanced security

## Supported processors

**Table 6. Processor BIN stack**

Processor	Clock Speed (GHz)	Cache (M)	Cores	Threads	Turbo	Memory Speed (MT/s)	Memory Capacity	TDP
E-2388G	3.2	16	8	16	Turbo	3200	128 GB	95 W
E-2378G	2.8	16	8	16	Turbo	3200	128 GB	80 W
E-2386G	3.5	12	6	12	Turbo	3200	128 GB	95 W
E-2378	2.6	16	8	16	Turbo	3200	128 GB	65 W
E-2374G	3.7	8	4	8	Turbo	3200	128 GB	80 W
E-2356G	3.2	12	6	12	Turbo	3200	128 GB	80 W
E-2336	2.9	12	6	12	Turbo	3200	128 GB	65 W
E-2334	3.4	8	4	8	Turbo	3200	128 GB	65 W
E-2324G	3.1	8	4	4	Turbo	3200	128 GB	65 W
E-2314	2.8	8	4	4	Turbo	3200	128 GB	65 W
G6505	4.2	4	2	4	No Turbo	2666	128 GB	58 W
G6405T	3.5	4	2	4	No Turbo	2666	128 GB	35 W

**NOTE:** Graphics is not supported with E2300 series processors and cannot be enabled on Dell servers due to restriction in the chipset.

 **NOTE:** Hyper-Threading is enabled by default on all Intel Xeon E-2300 series processors.

# Memory subsystem

The PowerEdge R350 supports up to 4 DDR4 DIMM slot, with up to 128 GB of memory and speeds of up to 3200 MT/s.

The PowerEdge R350 supports unregistered DIMMs (UDIMMs) only.

## Topics:

- [Supported memory](#)
- [Memory speed](#)

## Supported memory

**Table 7. Memory technology comparison**

Feature	PowerEdge R350 (DDR4)
DIMM type	UDIMM
Transfer speed	2933 MT/s, 2666 MT/s, and 3200 MT/s
Voltage	1.2 V (DDR4)

The following table lists the supported DIMMs for the R350 at launch. For the latest information on supported DIMMS, refer to the [Memory NDA Deck](#). For information on memory configuration, see the Dell EMC PowerEdge R350 Installation and Service Manual at [www.dell.com/poweredgemanuals](http://www.dell.com/poweredgemanuals).

## Memory speed

The table below lists the performance details for R350 based on the quantity and type of DIMMs per memory channel.

**Table 8. DIMM performance**

DIMM type	Rank	Capacity	DIMM rated voltage and speed	DIMMs per Channel (DPC)
UDIMM	1R	8 GB / 16 GB	DDR4 (1.2V), 3200 MT/s	3200 MT/s
	2R	32 GB	DDR4 (1.2V), 3200 MT/s	3200 MT/s



# Storage

## Topics:

- Storage controllers
- Supported Drives
- External Storage

## Storage controllers

- PowerEdge Hardware RAID controllers (PERC) series 10, 11 are designed for:
  - Enhanced performance
  - Fault tolerance
  - Simplified management of RAID array drives
- PowerEdge controller series 10, 11 support older legacy SAS and SATA drive interfaces
- Dell S150 is software RAID solution for PowerEdge systems.

**Table 9. PERC Series controller offerings**

Performance Level	Controller and Description
Entry	S150
Value	H355, H345, HBA355 (Internal)
Premium Performance	H755
External Controllers	HBA355e

**NOTE:** For more information on the features of the Dell PowerEdge RAID controllers (PERC), Software RAID controllers, or BOSS card, and on deploying the cards, see the storage controller documentation at [www.dell.com/storagecontrollermanuals](http://www.dell.com/storagecontrollermanuals).

**NOTE:** From December 2021, H355 will replace H345 as the entry raid controller. H345 will be deprecated in January 2022.

## Storage controller feature matrix

**Table 10. Storage controller feature matrix**

Model and Form Factors	Interface Support	PCI Support	SAS Connection	Cache Memory Size	Write Back Cache	RAID Levels	Max Drive Support	RAID Support
PowerEdge Server-Storage Controllers (PERC & SAS HBA) Series 11								
H755 Adapter	12 Gb/s SAS 6 Gb/s SAS/SATA 3 Gb/s SAS/SATA Gen3 (8 GT/s) NVMe	PCIe Gen 4	16 ports- 2 x 8 Internal	8 GB NV	Flash-Backed Cache	0,1, 5, 6, 10, 50, 60	16/controller 50 with SAS Expander *Platform limit	Hardware RAID

**Table 10. Storage controller feature matrix (continued)**

Model and Form Factors	Interface Support	PCI Support	SAS Connection	Cache Memory Size	Write Back Cache	RAID Levels	Max Drive Support	RAID Support
	Gen4 (16 GT/s) NVMe							
H755 Front (SAS/SATA Only)	12 Gb/s SAS 6 Gb/s SAS/SATA 3 Gb/s SAS/SATA	PCIe Gen 4	16 ports- 2 x 8 Internal	8 GB NV	Flash-Backed Cache	0,1, 5, 6, 10, 50, 60	16/controller 50 with SAS Expander *Platform limit	Hardware RAID
HBA355i Adapter	12 Gb/s SAS 6 Gb/s SAS/SATA 3 Gb/s SAS/SATA	PCIe Gen 4	16 ports- 2 x 8 Internal	N/A	N/A	N/A	16/controller 50 with SAS Expander *Platform limit	N/A
HBA355e Adapter	12 Gb/s SAS 6 Gb/s SAS/SATA 3 Gb/s SAS/SATA	PCIe Gen 4	16 ports- 4 x 4 Internal	N/A	N/A	N/A	240	N/A
H355 Adapter	12 Gb/s SAS 6 Gb/s SAS/SATA	PCIe Gen 4	16 ports- 2 x 8 Internal	N/A	N/A	0,1,10	Maximum 32	Hardware RAID
H355 Front	12 Gb/s SAS 6 Gb/s SAS/SATA	PCIe Gen 4	16 ports- 2 x 8 Internal	N/A	N/A	0,1,10	Maximum 32	Hardware RAID
PowerEdge Server-Storage Controllers (PERC & SAS HBA) Series 10								
PERC H345	12 Gb/s SAS 6 Gb/s SATA	PCI-Express 3.1	16 ports- 2 x 8 Internal	No Cache	No Cache	0,1,10 Note <sup>1</sup>	Maximum 32 RAID, or 32 Non-RAID	Hardware RAID
HBA - Internal HBA345	12 Gb/s SAS 6 Gb/s SATA	PCI-Express 3.1	16 ports- 2 x 8 Internal	No Cache	No Cache	No RAID Pass Through Only	Maximum 32	No RAID SAS HBA
PowerEdge Server-Storage Software RAID								
S150 Software RAID	6 Gb/s SATA	N/A	N/A	No Cache	No Cache	0,1, 5, 10	Maximum 12 SATA	Software RAID - Windows & Linux (Limited) Note 2

**NOTE:**

1. RAID 5/50 removed from entry RAID card
2. SWRAID support for Linux provides a pre-boot configuration utility to configure MDRAID and degraded boot capability. See User's Guide for details.

This document is updated as changes happen, so for the latest be sure to bookmark it rather than downloading an offline copy or refer to the [Storage Controller Matrix](#).

## Internal storage configuration

Please see the [Factory Configuration Matrix](#) on Sales Portal.

## Server storage controllers User Guide

- Server-Storage Controllers User's Guides, click [here](#)

## IDSDM

The intended use of IDSDM is to support hypervisor boot: a minimal OS that primarily resides in memory and does not depend on the IDSDM heavily for I/O. Writes, in particular, should be minimized as the SD media can wear out.

The IDSDM card provides the following functions:

- Dual SD interface is maintained in a mirrored configuration (primary and secondary SD).
- Provides full RAID1 functionality.
- Dual SD cards are not required; the module can operate with only one card but will provide no redundancy.
- Enables support for Secure Digital eXtended Capacity (SDXC) cards.
- USB interface to host system.
- I2C interface to host system and onboard EEPROM for out-of-band status reporting.
- Onboard LEDs show status of each SD card.
- A BIOS Setup Redundancy setting supports Mirror Mode or Disabled.

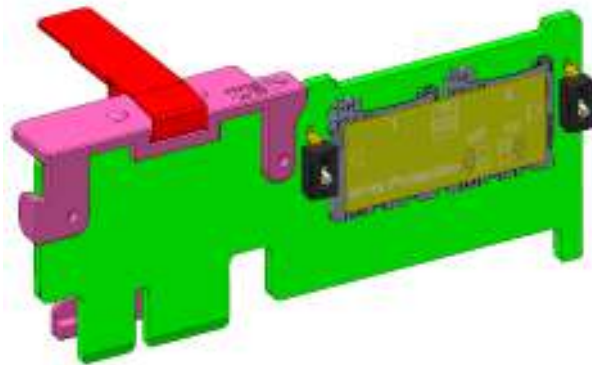


Figure 6. IDSDM card

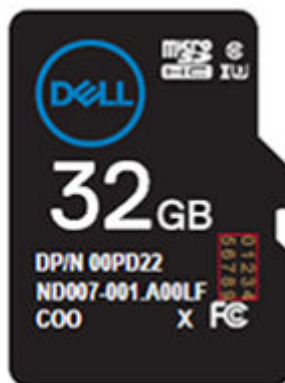


Figure 7. Artwork on uSD for iSDM

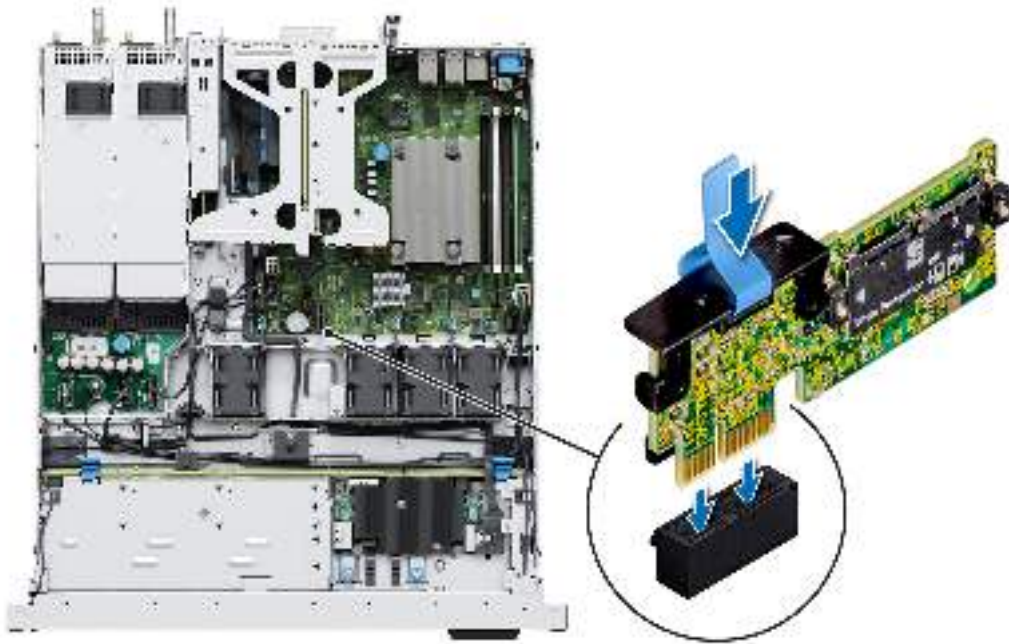


Figure 8. IDSDM

## Internal USB



Figure 9. Internal USB

## RAID - Redundant Array of Independent Disks

- Link to Help Me Choose: RAID Configuration [here](#)

## Datasheets and PERC performance scaling decks

- Resource Page for Server-Storage (Sales Portal) click [here](#)
- PERC & SAS HBA Datasheets (To be updated)

## Boot Optimized Storage Solution

Boot Optimized Storage Solution (BOSS) is a RAID solution that is designed for boot optimization and provides a separate RAID/SSD solution allowing customers to maximize server disk slots for data.

Dell provides the following BOSS card for this platform:

- BOSS S2

The HW RAID BOSS-S2 card is a RAID controller with a limited feature set that presents M.2 SATA-only SSDs as either Non-RAID disks or a single RAID1 volume. BOSS enables support for 240 GB and 480 GB disks from factory installation.

- Hardware: BOSS-S2 controller and carrier (x2)
- Reliability: Enterprise-Class M.2 SATA SSDs
- Supports dual 80 mm, Read Intensive (1DWPD), M.2 devices 240GB/480GB Standard – 960GB/1.9TB QNS
- Accessibility: Rear facing
- Serviceability: Full hot-plug support
- Supports hardware RAID1 and pass-through
- Marvell 88SE9230 SATA RAID controller
- Standard inbox AHCI drivers
- Supports UEFI and legacy boot
- LED for M.2 device
- Controlled firmware upgrade through iDRAC



Figure 10. BOSS-S2 controller

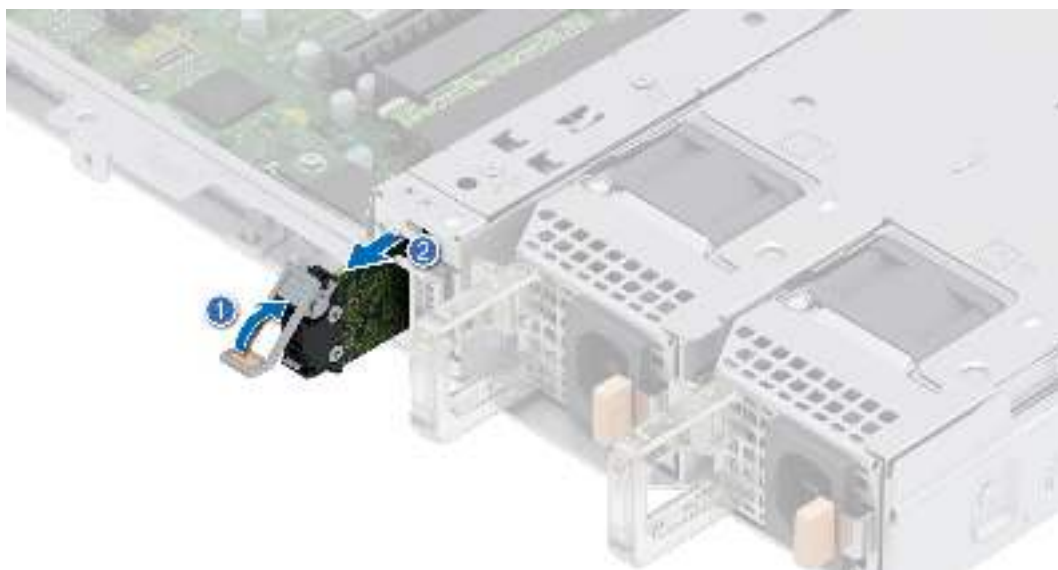


Figure 11. Removing the BOSS S2 card carrier

## BOSS feature matrix

Table 11. BOSS feature matrix

BOSS card	Drive Size	RAID levels	Stripe size	Virtual disk cache function	Maximum number of virtual disks	Maximum number of drives supported	Drive types	PCIe support	Disk cache policy	Support for Non-RAID disks	Cryptographic digital signature to verify firmware payload	Hot Plug
BOSS S2 Adapter	M.2 devices are read-intensive with 240 GB or 480 GB capacity	RAID 1	Supports default 64K stripe size only	Write through	1	2	6 Gbps M.2 SATA SSDs	Gen2	Drive default	Yes (supports up to two disks)	Yes	Yes

## Datasheets

- [BOSS S2](#)
- [BOSS S2 DfD](#)

## BOSS User Guides

- [BOSS S2](#)

## Supported Drives

The table shown below lists the internal drives supported by the R350. Refer to Agile for the latest SDL.

Table 12. Supported drives

Form Factor	Type	Speed	Rotational Speed	Capacities
2.5-inch	SATA	6 GB	SSD	480 GB, 960 GB, 1.92 TB, 3.84 TB
2.5-inch	SAS/vSAS	12 GB	SSD	400 GB, 800 GB, 960 GB, 1.92 TB, 3.84 TB, 7.68 TB
2.5-inch	SAS	12 GB	10K	600 GB, 1.2 TB, 2.4 TB
2.5-inch	SAS	12 GB	15K	600 GB, 900 GB
3.5-inch	SAS	12 GB	7.2K	2 TB, 4 TB, 8 TB, 12 TB, 16 TB, 20 TB
3.5-inch	SATA	6 GB	7.2K	2 TB, 4 TB, 8 TB, 12 TB, 16 TB, 20 TB
M.2	SATA	6 GB	SSD	240 GB, 480 GB

# External Storage

The R350 supports the external storage device types listed in the table below.

**Table 13. Support external storage devices**

<b>Device Type</b>	<b>Description</b>
External Tape	Supports connection to external USB tape products
NAS/IDM appliance software	Supports NAS software stack
JBOD	Supports connection to 12 Gb MD-Series JBODs

# Networking

## Topics:

- [Overview](#)


## Overview

PowerEdge offers a wide variety of options to get information moving to and from our servers. Industry best technologies are chosen, and systems management features are added by our partners to firmware to tie in with iDRAC. These adapters are rigorously validated for worry-free, fully supported use in Dell servers.

The [PowerEdge Server Adapter Matrix](#) posted to knowledge portal is the central repository for PowerEdge NIC, HBA and HCA information. The matrix covers:

- Part Numbers, Tied SKUs and Customer Kits
- Server Compatibility and Support
- Optics and Cable Support
- Systems Management
- Adapter Features
- Spec Sheet Links

This document is updated as changes happen, so be sure to bookmark it rather than downloading an offline copy to stay with the latest information.

 **NOTE:** This is a direct download link to an .XLSX and may not open in a tab as expected depending on your browser.



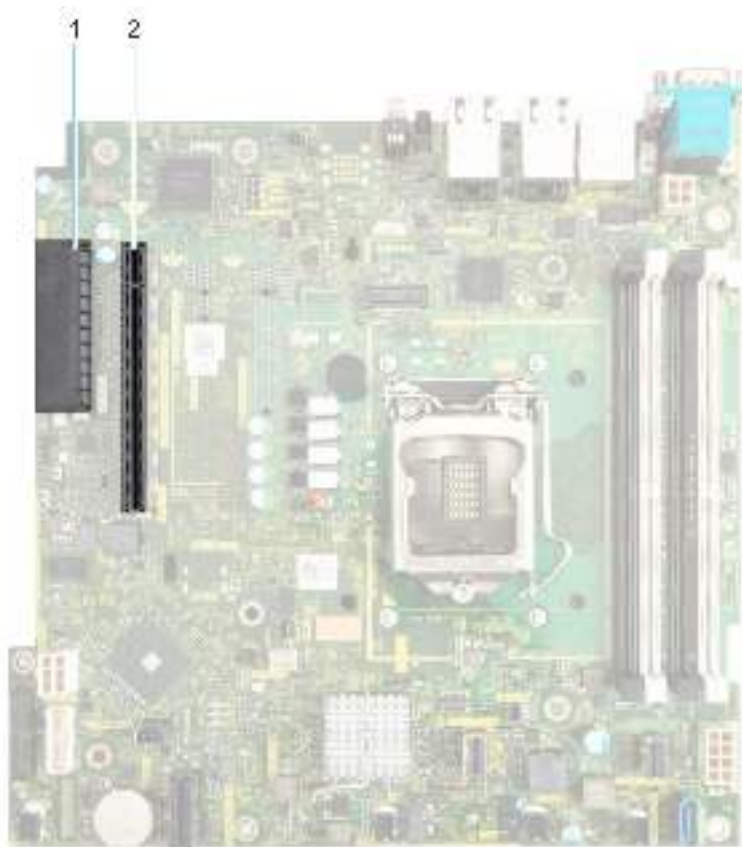
# Expansion cards and expansion card risers

**NOTE:** When an expansion card is not supported or missing, the iDRAC and Lifecycle Controller logs an event. This does not prevent your system from booting. However, if a F1/F2 pause occurs with an error message, see *Troubleshooting expansion cards* section in the *Dell EMC PowerEdge Servers Troubleshooting Guide* at [www.dell.com/poweredgemanuals](http://www.dell.com/poweredgemanuals).

## Topics:

- [Expansion card installation guidelines](#)

## Expansion card installation guidelines



**Figure 12. Expansion card slot connectors**

1. Internal PERC connector
2. Butterfly riser connector

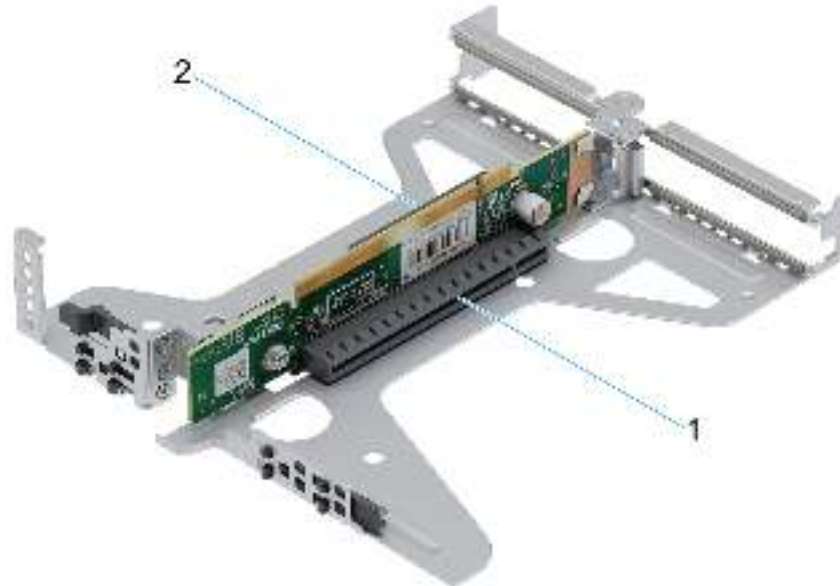
The following table describes the expansion card riser configurations:

**Table 14. Expansion card riser configurations**

Configurations	Expansion card risers	PCIe Slots	Controlling processor	Height	Length	Slot width
Config 1	NA	INT	Processor 1	Half Height	Half length	x8
Config 0	Riser	2	Processor 1	Half Height	Half length	x16

**Table 14. Expansion card riser configurations (continued)**

Configurations	Expansion card risers	PCIe Slots	Controlling processor	Height	Length	Slot width
	Riser	1	Processor 1	Half Height	Half length	x8



**Figure 13. Butterfly riser**

1. Slot 2 (Low profile) (x16 connector)
2. Slot 1 (Low profile) (x8 connector)

**NOTE:** The expansion-card slots are not hot-swappable.

To ensure proper cooling and mechanical fit, the following table provides guidelines for installing expansion cards. The expansion cards with the highest priority should be installed first using the slot priority indicated. All the other expansion cards should be installed in the card priority and slot priority order.

**Table 15. Configuration 0: butterfly riser**

Card type	Slot priority	Maximum number of cards
Dell BOSS S2 Module	BOSS	1
Intel (NIC: 10 Gb)	1, 2	2
Broadcom (NIC: 10 Gb)	1, 2	2
Intel (NIC: 1 Gb)	1, 2	2
Broadcom (NIC: 1 Gb)	1, 2	2
Dell External Adapter	1, 2	2
aPERC 11	Integrated slot	1
FPERC 11	Integrated slot	1
FPERC 10.15	Integrated slot	1
aPERC 10.15	Integrated slot	1
FPERC HBA11	Integrated slot	1
aPERC HBA11	Integrated slot	1

**Table 16. Configuration 1: No Riser**

<b>Card type</b>	<b>Slot priority</b>	<b>Maximum number of cards</b>
aPERC 11	Integrated slot	1
FPERC 11	Integrated slot	1
FPERC 10.15	Integrated slot	1
aPERC 10.15	Integrated slot	1
FPERC HBA11	Integrated slot	1
aPERC HBA11	Integrated slot	1
Dell BOSS S2 Module	BOSS	1

# Power, thermal, and acoustics

## Topics:

- Power
- Thermal design
- PowerEdge R350 acoustics

## Power

**Table 17. Power tools and technologies**

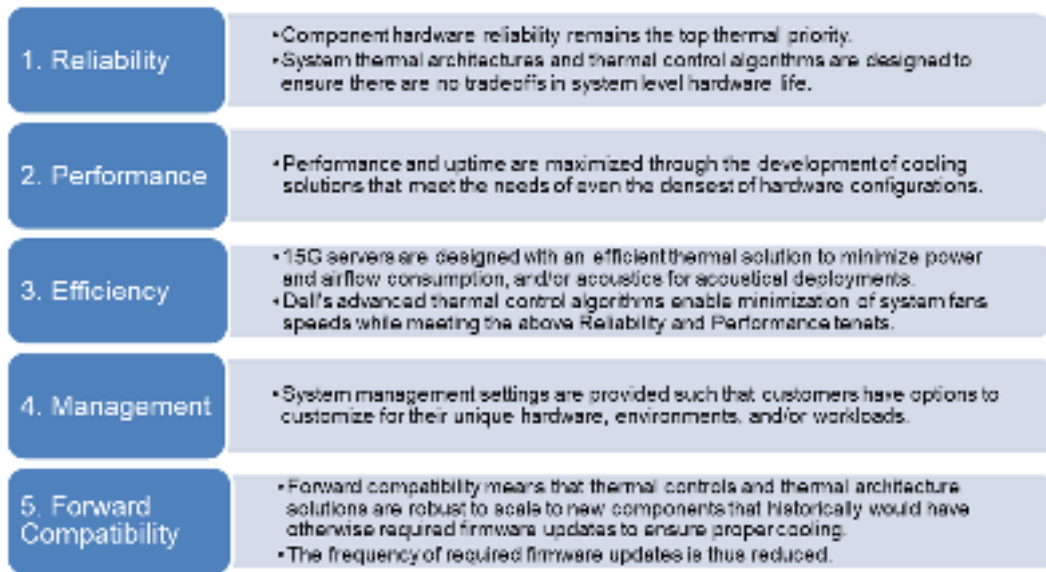
Feature	Description
Power Supply Units(PSU) portfolio	Dell's PSU portfolio includes intelligent features such as dynamically optimizing efficiency while maintaining availability and redundancy. Find additional information in the Power supply units section.
Tools for right sizing	Enterprise Infrastructure Planning Tool (EIPT) is a tool that can help you determine the most efficient configuration possible. With Dell's EIPT, you can calculate the power consumption of your hardware, power infrastructure, and storage at a given workload. Learn more at <a href="http://www.dell.com/calc">www.dell.com/calc</a> .
Industry Compliance	Dell's servers are compliant with all relevant industry certifications and guide lines, including 80 PLUS, Climate Savers and ENERGY STAR.
Power monitoring accuracy	PSU power monitoring improvements include: <ul style="list-style-type: none"> <li>• Dell's power monitoring accuracy is currently 1%, whereas the industry standard is 5%</li> <li>• More accurate reporting of power</li> <li>• Better performance under a power cap</li> </ul>
Power capping	Use Dell's systems management to set the power cap limit for your systems to limit the output of a PSU and reduce system power consumption. Dell is the first hardware vendor to leverage Intel Node Manager for circuit-breaker fast capping.
Systems Management	iDRAC Enterprise and Datacenter provides server-level management that monitors, reports and controls power consumption at the processor, memory and system level.  Dell OpenManage Power Center delivers group power management at the rack, row, and data center level for servers, power distribution units, and uninterruptible power supplies.
Active power management	Intel Node Manager is an embedded technology that provides individual server-level power reporting and power limiting functionality. Dell offers a complete power management solution comprised of Intel Node Manager accessed through Dell iDRAC9 Datacenter and OpenManage Power Center that allows policy-based management of power and thermal at the individual server, rack, and data center level. Hot spare reduces power consumption of redundant power supplies. Thermal control off a speed optimizes the thermal settings for your environment to reduce fan consumption and lower system power consumption.  Idle power enables Dell servers to run as efficiently when idle as when at full workload.
Fresh Air cooling	Refer to ASHRAE A3/A4 Thermal Restriction.
Rack infrastructure	Dell offers some of the industry's highest-efficiency power infrastructure solutions, including: <ul style="list-style-type: none"> <li>• <a href="#">Power distribution units</a> (PDUs)</li> </ul>

**Table 17. Power tools and technologies (continued)**

Feature	Description
	<ul style="list-style-type: none"> <li>• Uninterruptible power supplies (UPSs)</li> <li>• Energy Smart containment rack enclosures</li> </ul> <p>Find additional information at: <a href="https://www.delltechnologies.com/en-us/servers/power-and-cooling.htm">https://www.delltechnologies.com/en-us/servers/power-and-cooling.htm</a>.</p>

## Thermal design

Thermal management of the platform helps deliver high performance with the right amount of cooling to components, while maintaining the lowest fan speeds possible. This is done across a wide range of ambient temperatures from 10°C to 35°C (50°F to 95°F) and to extended ambient temperature ranges.



**Figure 14. Thermal design characteristics**

The thermal design of the PowerEdge R350 reflects the following:

- Optimized thermal design: The system layout is architected for optimum thermal design.
  - System component placement and layout are designed to provide maximum airflow coverage to critical components with minimum expense of fan power.
  - Comprehensive thermal management: The thermal control system regulates the fan speed based on several different responses from all system-component temperature sensors, as well as inventory for system configurations. Temperature monitoring includes components such as processors, DIMMs, chipset, the inlet air ambient, hard disk drives, and OCP.
  - Open and closed loop thermal fan speed control: Open loop thermal control uses system configuration to determine fan speed based on inlet air ambient temperature. Closed loop thermal control method uses feedback temperatures to dynamically determine proper fan speeds.
  - User-configurable settings: With the understanding and realization that every customer has unique set of circumstances or expectations from the system, in this generation of servers, we have introduced limited user-configurable settings residing in the iDRAC BIOS setup screen. For more information, see the Dell EMC PowerEdge R350 Installation and Service Manual at [www.dell.com/poweredgemanuals](http://www.dell.com/poweredgemanuals) and "Advanced Thermal Control: Optimizing across Environments and Power Goals" on Dell.com.
  - Cooling redundancy: The R350 allows N+1 fan redundancy, allowing continuous operation with one fan failure in the system.
- i NOTE:** The cooling performance may vary depending on ambient temperature and configurations
- Environmental Specifications: The optimized thermal management makes the R350 reliable under a wide range of operating environments.

# PowerEdge R350 acoustics

Dell EMC PowerEdge R350 is a rack-mount server appropriate for attended data center environment. However, lower acoustical output is attainable with proper hardware or software configurations. For example, the minimum configuration of R350 is quiet enough for typical office environment.

R350 configuration specification is in ENG0020658. (refer to the category definitions).

Dell typically categorizes servers in five categories of acoustically acceptable usage:

- Category 1: Table-top in Office Environment
- Category 2: Floor-standing in Office Environment
- Category 3: General Use Space
- Category 4: Attended Data Center
- Category 5: Unattended Data Center

Category 3: General Use Space

When Dell determines that a specific Enterprise product is to be predominantly used in a general use space, then the acoustical specification of Dell Enterprise category 3 applies. These products could be found in laboratories, schools, restaurants, open office space layouts, small ventilated closets, etc., though not in close proximity to any particular person nor in quantities greater than a few in any location. People within proximity of a few of these products should not experience any impact to speech intelligibility or annoyance from the noise of the product. A rack product sitting on a table in a common area is an example.

**Table 18. Dell Enterprise category 3, “General Use” acoustical specification category**

Measurement Position re AC0158	Metric, re AC0159	Test Modes, re AC0159 (note must be in steady state, see AC0159, except where noted below)			
		Standby in 23±2° C Ambient	Idle in 23±2° C Ambient	Operating in 23±2° C Ambient – if not otherwise specified in the program’s configuration document, then processor and hard drive operating modes are required	Simulate (i.e., set air mover speeds representative) for Idle at 28 & 35° C Ambient and for 100% loading and maximum configuration, at 35° C Ambient
Sound Power	LWA,m, B	≤ 5.2	≤ 5.5	≤ 5.8	Report
Sound Quality (both positions must meet limits): Front Binaural HEAD and Rear Microphone	Tones, Hz, dB	No prominent tones per criteria D.10.6 and D.10.8 of ECMA-74			Report tones
	Tonality, tu	≤ 0.35	≤ 0.35	≤ 0.35	Report
	Dell Modulation, %	≤ 40	≤ 40	≤ 40	Report
	Loudness, sones	Report	Report	Report	Report
	LpA-single point, dBA	Report	Report	Report	Report
Front Binaural HEAD	Transients	<ul style="list-style-type: none"> <li>• Oscillation (see AC0159), if observed, during 20-minute steady-state observation, must adhere to the following two criteria: <ul style="list-style-type: none"> <li>○ Max. {ΔLpA} &lt; 3.0 dB</li> <li>○ Event count &lt; 3 for “1.5 dB &lt; ΔLpA &lt; 3.0 dB”</li> </ul> </li> <li>• Report Acoustical Jump (see AC0159) during air mover speed transition from Idle to Operating Mode.</li> <li>• Startup behavior <ul style="list-style-type: none"> <li>○ Report Startup behavior re. AC0159</li> </ul> </li> </ul>			N/A

**Table 18. Dell Enterprise category 3, “General Use” acoustical specification category (continued)**

Measurement Position re AC0158	Metric, re AC0159	Test Modes, re AC0159 (note must be in steady state, see AC0159, except where noted below)			
		Standby in 23±2° C Ambient	Idle in 23±2° C Ambient	Operating in 23±2° C Ambient – if not otherwise specified in the program’s configuration document, then processor and hard drive operating modes are required	Simulate (i.e., set air mover speeds representative) for Idle at 28 & 35° C Ambient and for 100% loading and maximum configuration, at 35° C Ambient
		<ul style="list-style-type: none"> <li>○ Startup must proceed smoothly, i.e., no sudden or large jumps, and air mover speed during startup must not exceed 50% of its maximum</li> <li>● Transient inputs: Report time-history sound pressure levels re AC0159 “Train of Step Functions on Processor”</li> </ul>			
Any	Other	<p>No rattles, squeaks, or unexpected noises</p> <p>Sound should be “even” around the EUT (one side should not be dramatically louder than another)</p> <p>Unless otherwise specified, the “default” thermal-related settings shall be selected for BIOS and iDRAC.</p> <p>Specific operating conditions will be defined in “Configurations &amp; Configuration Dependencies” for each platform.</p>			
Sound Pressure	LpA-reported, dBA, re AC0158 and program configuration document	Report for all mics	Report for all mics	Report for all mics	Report for all mics

## Acoustical performance

Dell EMC PowerEdge R350 is a rack-mount server appropriate for attended data center environment.

**Table 19. Acoustical configurations of R350**

Configuration	Volume	Feature Rich
Processor	1x Intel Rocket Lake, 65 W	1x Intel Rocket Lake, 80 W
Processor Quantity	1	1
Memory	16 GB UDIMM	32 GB UDIMM
Memory Quantity	2	4
Apache Pass	N/A	N/A
NVDIMM	N/A	N/A
Storage	3.5-inch SATA 2-TB	2.5-inch SAS 600 GB 10k
Storage Quantity	2	8
Backplane	4 x 3.5-inch Hot swap	8 x 2.5-inch Hot swap
M.2	N/A	N/A

**Table 19. Acoustical configurations of R350 (continued)**

Configuration	Volume	Feature Rich
OCP	N/A	N/A
Power Supply Unit	600 W (60 mm)	600 W (60 mm)
Power Supply Quantity	2	2
PCI 1	PERC H355, 2x 1GbE Broadcom	PERC H755, 2x 1GbE Broadcom
Bezel	Yes	N/A
Other	N/A	N/A

**Table 20. Acoustical performance of R350 acoustical configurations**

Configuration	Volume	Feature Rich
<b>Acoustical Performance: Idle/ Operating @ 25 °C Ambient</b>		
L <sub>wA,m</sub> (B)	Idle	5.5
	Operating	5.5
K <sub>v</sub> (B)	Idle	0.4
	Operating	0.4
L <sub>pA,m</sub> (dB)	Idle	40
	Operating	40
Prominent tones	No prominent tones in Idle and Operating	
<b>Acoustical Performance: Idle @ 28 °C Ambient</b>		
L <sub>wA,m</sub> (B)	5.5	5.5
K <sub>v</sub> (B)	0.4	0.4
L <sub>pA,m</sub> (dB)	40	40
<b>Acoustical Performance: Max. Loading @ 35 °C Ambient</b>		
L <sub>wA,m</sub> (B)	5.6	7.8
K <sub>v</sub> (B)	0.4	0.4
L <sub>pA,m</sub> (dB)	40	63

L<sub>wA,m</sub>: The declared mean A-weighted sound power level (L<sub>wA</sub>) is calculated per section 5.2 of ISO 9296 (2017) with data collected using the methods described in ISO 7779 (2010). Data presented here may not be fully compliant with ISO 7779.

L<sub>pA,m</sub>: The declared mean A-weighted emission sound pressure level is at the bystander position per section 5.3 of ISO 9296 (2017) and measured using methods described in ISO 7779 (2010). The system is placed in a 24U rack enclosure, 25 cm above a reflective floor. Data presented here may not be fully compliant with ISO 7779.

Prominent tones: Criteria of D.6 and D.11 of ECMA-74 are followed to determine if discrete tones are prominent and to report them, if so.

Idle mode: The steady-state condition in which the server is energized but not operating any intended function.

Operating mode: The maximum of the steady state acoustical output at 50% of Processor TDP or active HDDs per C.9.3.2 in ECMA-74 .



## Rack, rails, and cable management

Key factors in selecting the proper rails include, Identifying:

- Type of rack in which the rails will be installed
- Spacing between the front and rear mounting flanges of the rack
- Type and location of any equipment mounted on the rear of the rack such as power distribution units (PDUs), and the overall depth of the rack

Refer the [DellEMC Enterprise Systems Rail Sizing and Rack Compatibility Matrix](#) for the following information:

- Specific details about rail types and their functionalities
- Rail adjustability ranges for various rack mounting flange types
- Rail depth with and without cable management accessories
- Rack types supported for various rack mounting flange types

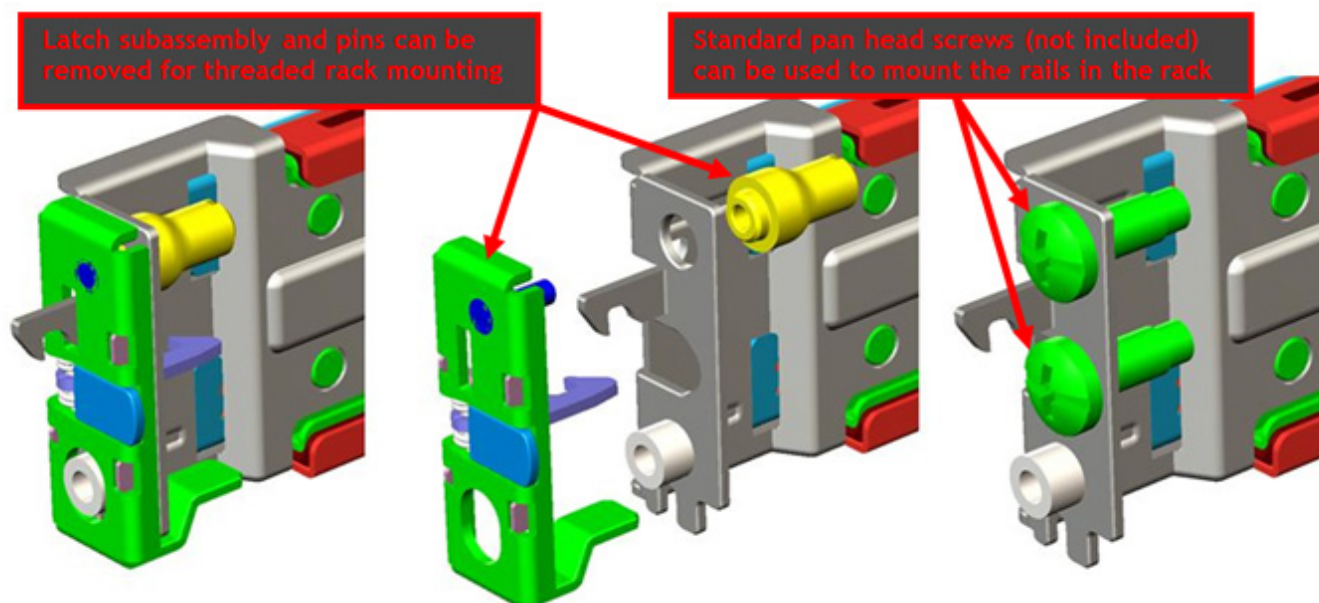
### Topics:

- [Rack Rails](#)

## Rack Rails

The rail offerings for the PowerEdge R350 consist of two types — sliding and static. The sliding and static rail systems for the PowerEdge R350 provide tool-less support for four-post racks with tooled installation for square, round or threaded holes including all generations of Dell racks. Both also support tooled mounting in four-post threaded racks, and the static rails support tooled mounting in two-post (Telco) racks as well for added versatility.

The sliding rails for the PowerEdge R350 offer native support for threaded hole racks via the ReadyRails™ II mounting interface. The rails ship in the tool-less mounting configuration, but can be converted to the tooled configuration very quickly and easily as shown in the figure below.



**Figure 15. ReadyRails II Mounting Interface**

One key factor in selecting the proper rails is identifying the type of rack in which they will be installed. Both the sliding rails and the static rails support tool-less mounting in 19-inch wide, EIA-310-E compliant square hole and unthreaded round hole four-post

racks. Both also support tooled mounting in threaded hole four-post racks, but only the static rails, as the more “universal” solution, support mounting in two-post (Telco) racks.

**Table 21. Sliding and static rail configurations**

Sliding and Static Rail								
Product	Rail Identifier	Mounting Interface	Rail Type	Rack Types Supported				
				4-Post			2-Post	
				Square	Round	Thread	Flush	Center
PowerEdge R350	A12	ReadyRails II	Sliding	√	√	√ <sup>1</sup>	X	X
	A8	ReadyRails	Static	√	√	√ <sup>1</sup>	√ <sup>1</sup>	√ <sup>1</sup>

<sup>1</sup> Minor conversion required.

Note that screws are not included in either kit due to the fact that threaded racks are offered with a variety of thread designations. Users must therefore provide their own screws when mounting the rails in threaded racks.

**NOTE:** Screw head diameter for the sliding rails must be 10 mm or less.

Other key factors governing proper rail selection include the spacing between the front and rear mounting flanges of the rack, the type and location of any equipment mounted in the back of the rack such as power distribution units (PDUs), and the overall depth of the rack. The static rails offer a greater adjustability range and a smaller overall mounting footprint than the sliding rails. This is because of their reduced complexity and lack of need for CMA support.

**Table 22. Rail adjustable range and rail depth specifications**

Rail Adjustable Range and Rail Depth											
Product	Rail Identifier	Chassis configuration	Rail Type	Rail Adjustable Range (mm)						Rail Depth (mm)	
				Square*		Round*		Threaded*		without CMA	with CMA
				Min	Max	Min	Max	Min	Max		
PowerEdge R350	A12	2.5-inch	Sliding	631	868	617	861	631	883	720	845
		3.5-inch	Sliding	681	868	667	861	681	883	770	895
	A8	Static	608	879	594	872	618	898	622	-	

\* Values represent the distance between the front and rear mounting flanges on the rack.

**NOTE:** The adjustment range of the rails is a function of the type of rack in which they are being mounted. The Min/Max values listed above represent the allowable distance between the front and rear mounting flanges in the rack. Rail depth without the CMA represents the minimum depth of the rail with the outer CMA brackets removed (if applicable) as measured from the front mounting flanges of the rack.

**NOTE:** 3.5" HDD configurations utilize a self-adjusting slide feature. To fully install the system, this feature requires extra force during the last 50 mm travel.

## Ready Rails II Sliding Rails for 4-Post Racks

- Support for tool-less installation in 19" EIA-310-E compliant square or unthreaded round hole four-post racks including all generations of Dell racks.
- Support for tooled installation in 19-inch EIA-310-E compliant threaded hole four-post racks.
- Support full extension of the system out of the rack to allow serviceability of key internal components.
- Support for optional cable management arm (CMA).
- Minimum rail mounting depth without the CMA (2.5-inch configuration): 720 mm
- Minimum rail mounting depth without the CMA (3.5-inch configuration): 770 mm
- Minimum rail mounting depth with the CMA (2.5-inch configuration): 845 mm
- Minimum rail mounting depth with the CMA (3.5-inch configuration): 895 mm
- Square-hole rack adjustment range (2.5-inch configuration): 631-868 mm

- Square-hole rack adjustment range (3.5-inch configuration): 681-868 mm
- Round-hole rack adjustment range (2.5-inch configuration): 617-861 mm
- Round-hole rack adjustment range (3.5-inch configuration): 667-861 mm
- Threaded-hole rack adjustment range (2.5-inch configuration): 631-883 mm
- Threaded-hole rack adjustment range (3.5-inch configuration): 681-883 mm

The sliding rails allow the system to be fully extended out of the rack for service. They are available with or without the optional cable management arm (CMA).



**Figure 16. Sliding rails with optional CMA**

## Ready Rails Static Rails for 4-Post and 2-Post Racks

- Support tool-less installation in 19-inch EIA-310-E compliant square or unthreaded round hole four-post racks including all generations of Dell racks.
- Support tool-ed installation in 19-inch EIA-310-E compliant threaded hole four-post and two-post racks.
- Minimum rail mounting depth: 622 mm
- Square-hole rack adjustment range: 608-879 mm
- Round-hole rack adjustment range: 594-872 mm
- Threaded-hole rack adjustment range: 618-898 mm

The static rails support a wider variety of racks than the sliding rails. However, they do not support serviceability in the rack and are thus not compatible with the CMA.



**Figure 17. Static rails**

## Cable Management Arm (CMA)

The optional cable management arm (CMA) for the PowerEdge R350 organizes and secures the cords and cables exiting the back of the server. It unfolds to allow the server to extend out of the rack without having to detach the cables. Some key features of the PowerEdge R350 CMA include:

- Large U-shaped baskets to support dense cable loads.
- Open vent pattern for optimal airflow.

- Ability to be mounted on either side by simply swinging the spring-loaded brackets from one side to the other.
- Utilizes hook-and-loop straps rather than plastic tie wraps to eliminate the risk of cable damage during cycling.
- Includes a low-profile fixed tray to both support and retain the CMA in its fully closed position.
- Both the CMA and the tray mount without the use of tools via simple and intuitive snap-in designs.

The CMA can be mounted to either side of the sliding rails without the use of tools or the need for conversion. However, it is recommended that it be mounted on the side opposite to the power supplies to allow easier access to the power supplies and rear hard drives (if applicable) for service or replacement.



**Figure 18. System mounted in sliding rails with the CMA**

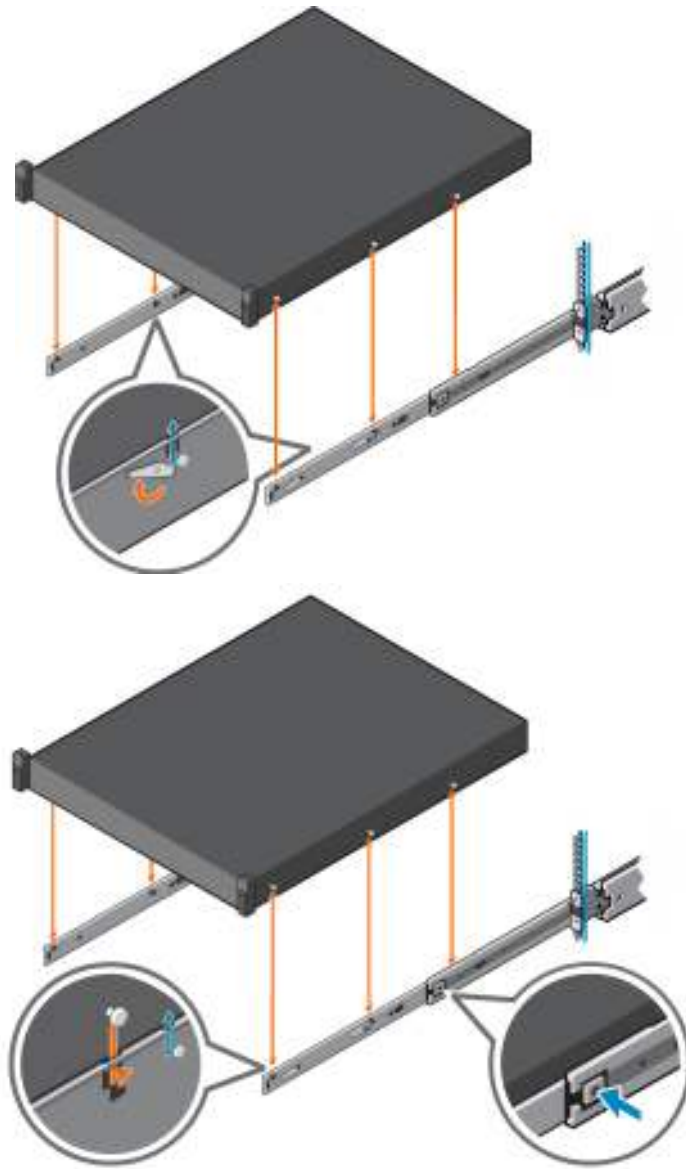
The PowerEdge R350 static rails are a "stab-in" design. This means that the inner (chassis) rail members must first be attached to the sides of the system and then inserted into the outer (cabinet) members installed in the rack.



**Figure 19. System mounted in static rails in two-post center-mount configuration**

## Rack Installation

The PowerEdge R350 sliding rails are a "drop-in" design. This means that the system is installed vertically into the rails by inserting the standoffs on the sides of the system into the "J-slots" in the inner rail members with the rails in the fully extended position. The recommended method of installation is to first insert the rear standoffs on the system into the rear J-slots on the rails in order to free up a hand and then rotate the system down into the remaining J-slots while using the free hand to hold the rail against the side of the system.

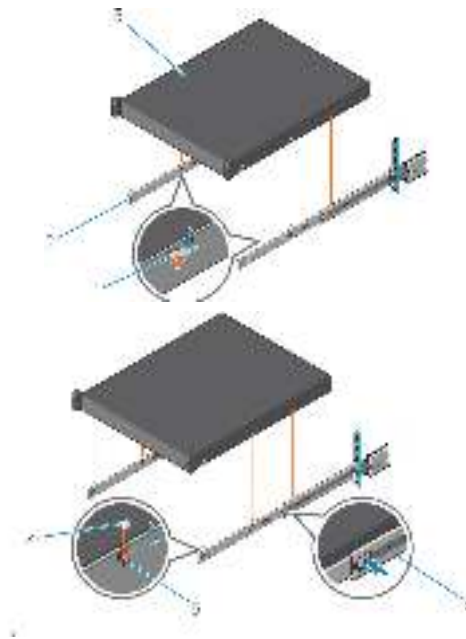


**Figure 20. Sliding rails**

## Installing 15G Systems in Sliding Rails

To install the 15G system in sliding rails:

1. Pull the inner slide rails out of the rack until they lock into place.
  - Hold the system by its front and back ends and tilt the front end upward slightly.
  - Check the window on the sides of both rails to confirm that the heads of the standoffs are visible before adjusting or releasing your grip on the back end of the system.
  - Use your free hand to hold the rail against the side of the chassis if needed as the system is rotated downward into the remaining J-slots.
2. Locate the rear rail standoff on each side of the system and lower them into the rear J-slots of the slide assembly.
3. Rotate the system downward until all the rail standoffs are seated in the J-slots.
4. Push the system inward until the lock levers click into place. Press the slide-release lock buttons on both rails and slide the system into the rack.



**Figure 21. Sliding rails installation**

1. Server-lock latch (2)
2. inner slide rail (2)
3. system
4. standoff on the system
5. J-slot on the rail
6. slide-release lock latch (2)

# Supported operating systems

The PowerEdge R350 system supports the following operating systems:

- Canonical Ubuntu Server LTS
- VMware ESXi
- Microsoft Windows Server with Hyper-V
- SUSE Linux Enterprise Server
- Red Hat Enterprise Linux

For more information, go to [www.dell.com/ossupport](http://www.dell.com/ossupport).



# Dell EMC OpenManage systems management

## Dell EMC OpenManage Portfolio

Simplifying hardware management through ease of use and automation



Figure 22. Dell EMC OpenManage Portfolio

Dell EMC delivers management solutions that help IT Administrators effectively deploy, update, monitor, and manage IT assets. OpenManage solutions and tools enable you to quickly respond to problems by helping them to manage Dell EMC servers effectively and efficiently; in physical, virtual, local, and remote environments, operating in-band, and out-of-band (agent-free). The OpenManage portfolio includes innovative embedded management tools such as the integrated Dell Remote Access Controller (iDRAC), Chassis Management Controller and Consoles like OpenManage Enterprise, OpenManage Power Manager plug in, and tools like Repository Manager.

Dell EMC has developed comprehensive systems management solutions based on open standards and has integrated with management consoles that can perform advanced management of Dell hardware. Dell EMC has connected or integrated the advanced management capabilities of Dell hardware into offerings from the industry's top systems management vendors and frameworks such as Ansible, thus making Dell EMC platforms easy to deploy, update, monitor, and manage.

The key tools for managing Dell EMC PowerEdge servers are iDRAC and the one-to-many OpenManage Enterprise console. OpenManage Enterprise helps the system administrators in complete lifecycle management of multiple generations of PowerEdge servers. Other tools such as Repository Manager, which enables simple yet comprehensive change management.

OpenManage tools integrate with systems management framework from other vendors such as VMware, Microsoft, Ansible, and ServiceNow. This enables you to use the skills of the IT staff to efficiently manage Dell EMC PowerEdge servers.

### Topics:

- [Server and Chassis Managers](#)
- [Dell EMC consoles](#)
- [Automation Enablers](#)
- [Integration with third-party consoles](#)
- [Connections for third-party consoles](#)
- [Dell EMC Update Utilities](#)
- [Dell resources](#)



## Server and Chassis Managers

- Integrated Dell Remote Access Controller (iDRAC)
- iDRAC Service Module (iSM)

## Dell EMC consoles

- Dell EMC OpenManage Enterprise
- Dell EMC Repository Manager (DRM)
- Dell EMC OpenManage Enterprise Power Manager plugin to OpenManage Enterprise
- Dell EMC OpenManage Mobile (OMM)

## Automation Enablers

- OpenManage Ansible Modules
- iDRAC RESTful APIs (Redfish)
- Standards-based APIs (Python, PowerShell)
- RACADM Command Line Interface (CLI)
- GitHub Scripting Libraries

## Integration with third-party consoles

- Dell EMC OpenManage Integrations with Microsoft System Center
- Dell EMC OpenManage Integration for VMware vCenter (OMIVV)
- Dell EMC OpenManage Ansible Modules
- Dell EMC OpenManage Integration with ServiceNow

## Connections for third-party consoles

- Micro Focus and other HPE tools
- OpenManage Connection for IBM Tivoli
- OpenManage Plug-in for Nagios Core and XI

## Dell EMC Update Utilities


- Dell System Update (DSU)
- Dell EMC Repository Manager (DRM)
- Dell EMC Update Packages (DUP)
- Dell EMC Server Update Utility (SUU)
- Dell EMC Platform Specific Bootable ISO (PSBI)

## Dell resources

For additional information about white papers, videos, blogs, forums, technical material, tools, usage examples, and other information, go to the OpenManage page at <https://www.dell.com/openmanagemanuals> or the following product pages:

**Table 23. Dell resources**

<b>Resource</b>	<b>Location</b>
Integrated Dell Remote Access Controller (iDRAC)	<a href="https://www.dell.com/idracmanuals">https://www.dell.com/idracmanuals</a>
iDRAC Service Module (iSM)	<a href="https://www.dell.com/support/kbdoc/000178050/">https://www.dell.com/support/kbdoc/000178050/</a>
OpenManage Ansible Modules	<a href="https://www.dell.com/support/kbdoc/000177308/">https://www.dell.com/support/kbdoc/000177308/</a>
OpenManage Essentials (OME)	<a href="https://www.dell.com/support/kbdoc/000175879/">https://www.dell.com/support/kbdoc/000175879/</a>
OpenManage Mobile (OMM)	<a href="https://www.dell.com/support/kbdoc/000176046">https://www.dell.com/support/kbdoc/000176046</a>
OpenManage Integration for VMware vCenter (OMIVV)	<a href="https://www.dell.com/support/kbdoc/000176981/">https://www.dell.com/support/kbdoc/000176981/</a>
OpenManage Integration for Microsoft System Center (OMIMSSC)	<a href="https://www.dell.com/support/kbdoc/000147399">https://www.dell.com/support/kbdoc/000147399</a>
Dell EMC Repository Manager (DRM)	<a href="https://www.dell.com/support/kbdoc/000177083">https://www.dell.com/support/kbdoc/000177083</a>
Dell EMC System Update (DSU)	<a href="https://www.dell.com/support/kbdoc/000130590">https://www.dell.com/support/kbdoc/000130590</a>
Dell EMC Platform Specific Bootable ISO (PSBI)	<a href="http://Dell.com/support/article/sln296511">Dell.com/support/article/sln296511</a>
Dell EMC Chassis Management Controller (CMC)	<a href="http://www.dell.com/support/article/sln311283">www.dell.com/support/article/sln311283</a>
OpenManage Connections for Partner Consoles	<a href="https://www.dell.com/support/kbdoc/000146912">https://www.dell.com/support/kbdoc/000146912</a>
OpenManage Enterprise Power Manager	<a href="https://www.dell.com/support/kbdoc/000176254">https://www.dell.com/support/kbdoc/000176254</a>
OpenManage Integration with ServiceNow (OMISNOW)	<a href="http://Dell.com/support/article/sln317784">Dell.com/support/article/sln317784</a>

 **NOTE:** Features may vary by server. Please refer to the product page on <https://www.dell.com/manuals> for details.

## Dell Technologies Services

Dell Technologies Services include a wide, customizable range of service choices to simplify the assessment, design, implementation, management and maintenance of IT environments and to help you transition from platform to platform. Depending on your current business requirements and the level of service right for you, we provide factory, on-site, remote, modular, and specialized services that fit your needs and budget. We'll help with a little or a lot—your choice—and provide access to our global resources.

For more information, see [DellEMC.com/Services](https://DellEMC.com/Services).

### Topics:

- [Dell EMC ProDeploy Enterprise Suite](#)
- [Dell EMC Data Migration Service](#)
- [Dell EMC ProSupport Enterprise Suite](#)
- [Dell EMC ProSupport Plus for Enterprise](#)
- [Dell EMC ProSupport for Enterprise](#)
- [Dell EMC ProSupport One for Data Center](#)
- [ProSupport for HPC](#)
- [Support Technologies](#)
- [Services for Data Security](#)
- [Dell Technologies Education Services](#)
- [Dell Technologies Consulting Services](#)
- [Dell EMC Managed Services](#)

## Dell EMC ProDeploy Enterprise Suite

ProDeploy Enterprise Suite gets your server out of the box and into optimized production—fast. Our elite deployment engineers with broad and deep experience utilizing best-in-class processes along with our established global scale can help you around the clock and around the globe. From simple to the most complex server installations and software integration, we take the guess work and risk out of deploying your new server technology.

		Basic Deployment	ProDeploy	ProDeploy Plus
Pre-deployment	Single point of contact for project management	-	●	In-region
	Site readiness review	-	●	■
	Implementation planning	-	●	●
	SAM engagement for ProSupport Plus entitled devices	-	-	●
Deployment	Deployment service hours	Business hours	24x7	24x7
	Remote guidance for hardware installation or	Onsite	Remote or Onsite	Onsite
	Onsite hardware installation and packaging material removal	-	Remote	Onsite
	Install and configure system software	-	●	●
	Install support software and connect with Dell Technologies	-	●	●
Project documentation with knowledge transfer	-	●	●	
Post-deployment	Deployment verification	-	●	●
	Configuration data transfer to Dell EMC technical support	-	●	■
	30-days of post-deployment configuration assistance	-	-	●
	Training credits for Dell EMC Education Services	-	-	●

Figure 23. ProDeploy Enterprise Suite capabilities

**NOTE:** Hardware installation not applicable on selected software products.

# Dell EMC ProDeploy Plus

From beginning to end, ProDeploy Plus provides the skill and scale needed to successfully execute demanding deployments in today's complex IT environments. Certified Dell EMC experts start with extensive environmental assessments and detailed migration planning and recommendations. Software installation includes set up of most versions of Dell EMC SupportAssist and OpenManage system management utilities. Post-deployment configuration assistance, testing, and product orientation services are also available.

# Dell EMC ProDeploy

ProDeploy provides full service installation and configuration of both server hardware and system software by certified deployment engineers including set up of leading operating systems and hypervisors as well as most versions of Dell EMC SupportAssist and OpenManage system management utilities. To prepare for the deployment, we conduct a site readiness review and implementation planning exercise. System testing, validation, and full project documentation with knowledge transfer complete the process.

# Basic Deployment

Basic Deployment delivers worry-free professional installation by experienced technicians who know Dell EMC servers inside and out.

# Dell EMC ProDeploy for HPC

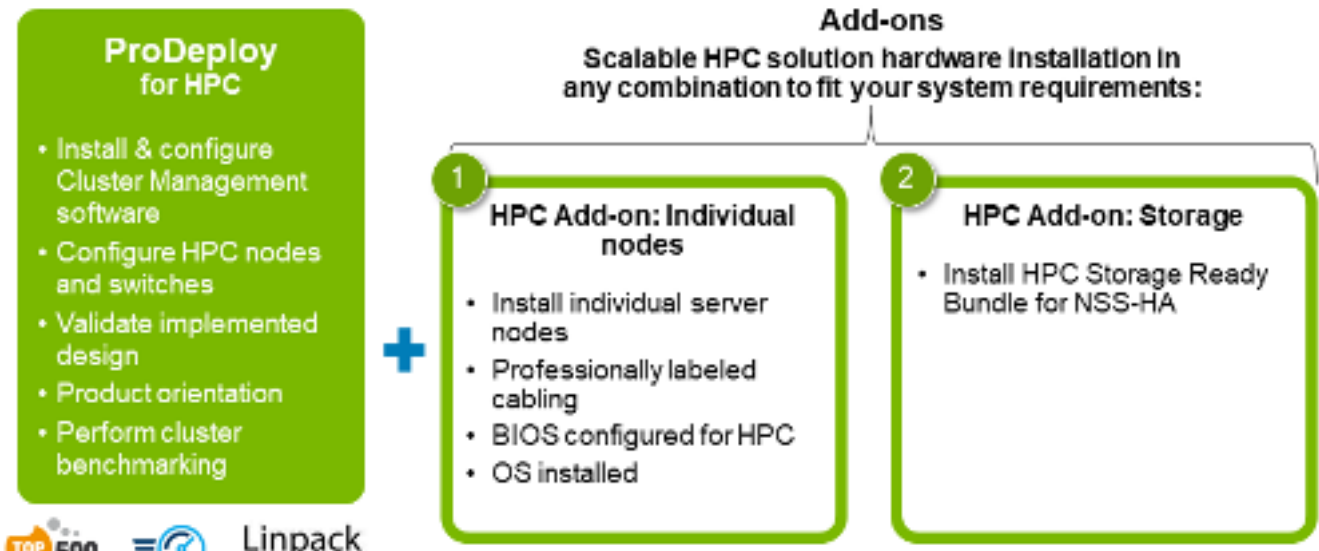
HPC deployments require specialist that understand that cutting edge is yesterday's news. Dell EMC deploys the world's fastest systems and understands the nuances that make them perform. ProDeploy for HPC provides:

- Global team of dedicated HPC specialists
- Proven track record, thousands of successful HPC deployments
- Design validation, bench marking and production orientation

Learn more at <http://DellEMC.com/HPC-Services>

## ProDeploy for HPC

Get more out of your cluster starting Day One



Note. Not available in Asia/Pacific countries including Japan and Greater China.

Figure 24. ProDeploy for HPC

## Dell EMC Server Configuration Services

With Dell EMC Rack Integration and other Dell EMC PowerEdge Server Configuration Services, you save time by receiving your systems racked, cabled, tested, and ready to integrate into the data center. Dell EMC staff pre-configure RAID, BIOS and iDRAC settings, install system images, and even install third-party hardware and software.

For more information, see [Server Configuration Services](#).

## Dell EMC Residency Services

Residency Services helps customers transition to new capabilities quickly with the assistance of on-site or remote Dell EMC experts whose priorities and time you control. Residency experts can provide post implementation management and knowledge transfer related to a new technology acquisition or day-to-day operational management of the IT infrastructure.

## Dell EMC Data Migration Service

Protect your business and data with our single point of contact to manage your data migration project. Your project manager will work with our experienced team of experts to create a plan using industry-leading tools and proven processes based on global best practices to migrate your existing files and data so your business system get up and running quickly and smoothly.

## Dell EMC ProSupport Enterprise Suite

With the ProSupport Enterprise Suite, we help keep your IT systems running smoothly, so you can focus on running your business. We will help maintain peak performance and availability of your most essential workloads. ProSupport Enterprise Suite is a suite of support services that enable you to build the solution that is right for your organization.

Choose support models based on how you use technology and where you want to allocate resources. From the desktop to the data center, address everyday IT challenges, such as unplanned downtime, mission-critical needs, data and asset protection, support planning, resource allocation, software application management and more. Optimize IT resources by choosing the right support model.

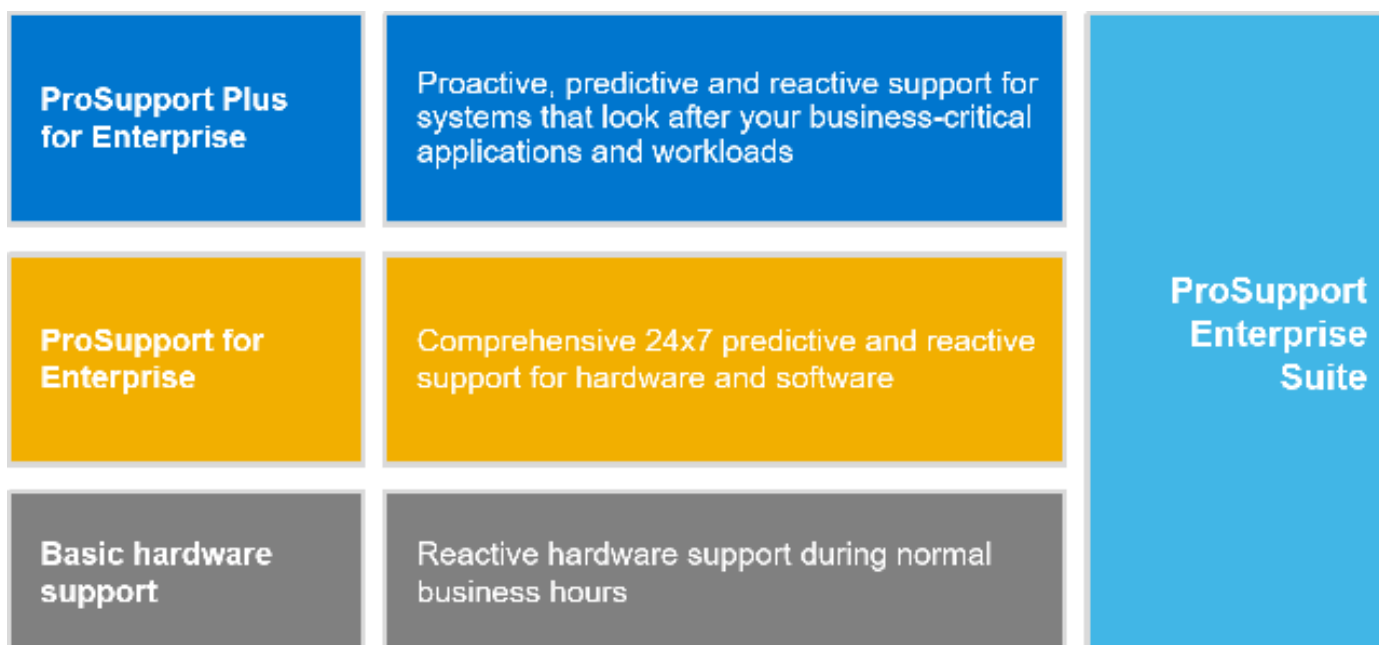


Figure 25. Dell EMC ProSupport Enterprise Suite

# Dell EMC ProSupport Plus for Enterprise

When you purchase your PowerEdge server, we recommend ProSupport Plus, our proactive and preventative support service for your business-critical systems. ProSupport Plus provides you with all the benefits of ProSupport, plus the following:

- An assigned Services Account Manager who knows your business and your environment
- Immediate advanced troubleshooting from an engineer who understands your PowerEdge server
- Personalized, preventive recommendations based on analysis of support trends and best practices from across the Dell Technologies infrastructure solutions customer base to reduce support issues and improve performance
- Predictive analysis for issue prevention and optimization enabled by SupportAssist
- Proactive monitoring, issue detection, notification, and automated case creation for accelerated issue resolution enabled by SupportAssist
- On-demand reporting and analytics-based recommendations enabled by SupportAssist and TechDirect

## Dell EMC ProSupport for Enterprise

Our ProSupport service offers highly trained experts around the clock and around the globe to address your IT needs. We help minimize disruptions and maximize availability of PowerEdge server workloads with:

- 24x7 support through phone, chat and online
- Predictive, automated tools and innovative technology
- A central point of accountability for all hardware and software issues
- Collaborative 3rd party support
- Hypervisor, operating system and application support
- Consistent experience regardless of where you are located or what language you speak
- Optional onsite parts and labor response options including next business day or four-hour mission critical

**i** **NOTE:** Subject to service offer country availability.

### Enterprise Support Services Feature Comparison

	Basic	ProSupport	ProSupport Plus
Remote technical support	9x5	24x7	24x7
Covered products	Hardware	Hardware Software	Hardware Software
Onsite hardware support	Next business day	Next business day or 4 hr mission critical	Next business day or 4 hr mission critical
3 <sup>rd</sup> party collaborative assistance		●	●
Automated issue detection & proactive case creation		●	●
Self-service case initiation and management		●	●
Access to software updates		●	●
Priority access to specialized support experts			●
3 <sup>rd</sup> party software support			●
Assigned Services Account Manager			●
Personalized assessments and recommendations			●
Semiannual systems maintenance			●

Availability and terms of Dell Technologies services vary by region and by product. For more information, please view our Service Descriptions available on Dell.com

Figure 26. Dell EMC Enterprise Support model

# Dell EMC ProSupport One for Data Center

ProSupport One for Data Center offers flexible site-wide support for large and distributed data centers with more than 1,000 assets. This offering is built on standard ProSupport components that leverage our global scale but are tailored to your company's needs. While not for everyone, this service option offers a truly unique solution for Dell Technologies largest customers with the most complex environments.

- Team of assigned Services Account Managers with remote, on-site options
- Assigned ProSupport One technical and field engineers who are trained on your environment and configurations
- On-demand reporting and analytics-based recommendations enabled by SupportAssist and TechDirect
- Flexible on-site support and parts options that fit your operational model
- A tailored support plan and training for your operations staff

## ProSupport for HPC

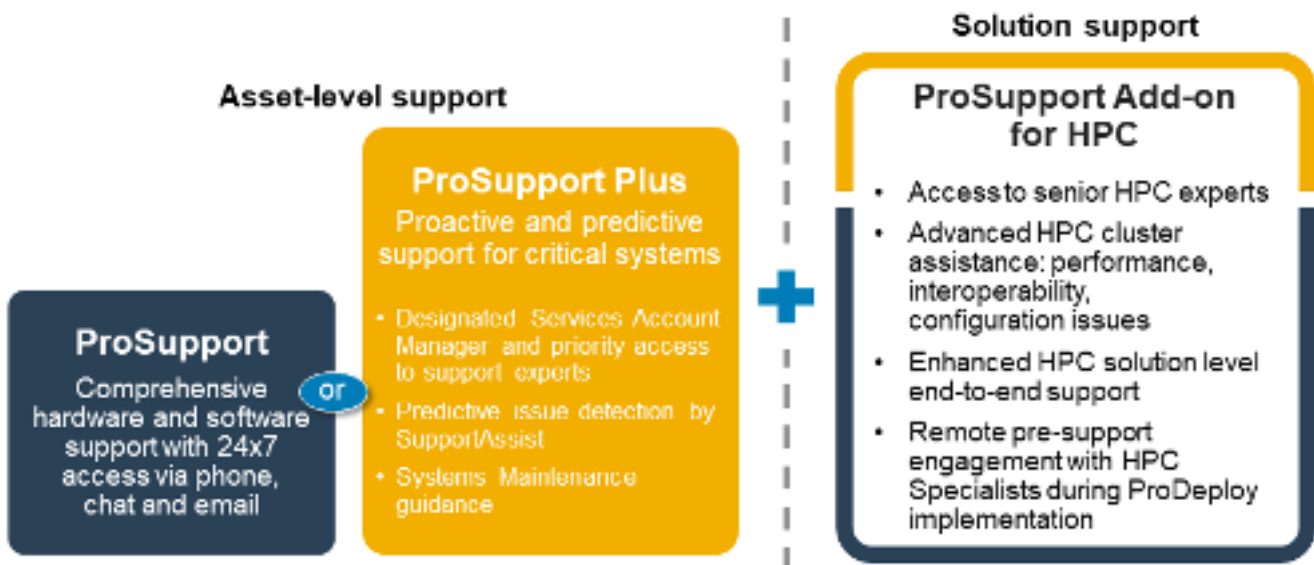
The ProSupport for HPC provides solution-aware support including:

- Access to senior HPC experts
- Advanced HPC cluster assistance: performance, interoperability & configuration
- Enhanced HPC solution level end-to-end support
- Remote pre-support engagement with HPC Specialists during ProDeploy implementation

Learn more at [DellEMC.com/HPC-Services](http://DellEMC.com/HPC-Services).

## ProSupport Add-on for HPC

Delivering a true end-to-end support experience across your HPC environment



© Copyright 2020 Dell Inc.

Dell EMC

Figure 27. ProSupport for HPC

## Support Technologies

Powering your support experience with predictive, data-driven technologies.

## Dell EMC SupportAssist

The best time to solve a problem is before it happens. The automated proactive and predictive technology SupportAssist helps reduce steps and time to resolution, often detecting issues before they become a crisis. Benefits include:

- Value—SupportAssist is available to all customers at no additional charge
- Improve productivity—replace manual, high-effort routines with automated support
- Accelerate time to resolution—receive issue alerts, automatic case creation, and proactive contact from Dell EMC experts
- Gain insight and control—optimize enterprise devices with on-demand ProSupport Plus reporting in TechDirect, and get predictive issue detection before the problem starts

**NOTE:** SupportAssist is included with all support plans, but features vary based on service level agreement.

	Basic Hardware Warranty	ProSupport	ProSupport Plus
Automated issue detection and system state information collection	•	•	•
Proactive, automated case creation and notification		•	•
Predictive issue detection for failure prevention			•
Recommendation reporting available on-demand in TechDirect			•

**Figure 28. SupportAssist model**

Get started at [Dell.com/SupportAssist](https://Dell.com/SupportAssist)

## Dell EMC TechDirect

Boost IT team productivity when supporting Dell EMC systems. With over 1.4 million self-dispatches processed each year, TechDirect has proven its effectiveness as a support tool. You can:

- Self-dispatch replacement parts
- Request technical support
- Integrate APIs into your help desk

Or, access all your Dell EMC certification and authorization requirements. Train your staff on Dell EMC products, as TechDirect allows you to:

- Download study guides
- Schedule certification and authorization exams
- View transcripts of completed courses and exams

Register at [techdirect.dell](https://techdirect.dell).

## Services for Data Security

As data security concerns intensify, businesses require focused security strategies to help mitigate risk. Get end to end protection throughout the life of your technology. Keep sensitive data on failed parts completely in your control with Dell EMC Keep Your Hard Drive and Keep Your Component for Enterprise or render data unrecoverable on re-purposed or retired products with Dell EMC Data Sanitization and Data Destruction for Enterprise. Promote social responsibility while maintaining data security with Dell EMC Data Sanitization for Enterprise Offsite with Asset Resale & Recycle we can help customers secure data on specific Dell EMC Server and Storage products as well as similar third-party systems. As part of this service, we remove old systems from your environment, securely sanitize data and responsibly reuse or recycle those systems to contribute to a more sustainable future. No matter your need, risk of unauthorized access to sensitive information is eliminated.



## Dell Technologies Education Services

Build the IT skills required to influence the transformational outcomes of the business. Enable talent and empower teams with the right skills to lead and execute transformational strategy that drives competitive advantage. Leverage the training and certification required for real transformation.

Dell Technologies Education Services offers PowerEdge server training and certifications designed to help you achieve more from your hardware investment. The curriculum delivers the information and the practical, hands-on skills that you and your team need to confidently install, configure, manage, and troubleshoot your Dell EMC servers. To learn more or register for a class today, see [LearnDell.com/Server](https://www.dell.com/learn/learn-dell.com/server).

## Dell Technologies Consulting Services

Our expert consultants help you transform faster, and quickly achieve business outcomes for the high value workloads Dell EMC PowerEdge systems can handle.

From strategy to full-scale implementation, Dell Technologies Consulting can help you determine how to execute your IT, workforce, or application transformation.

We use prescriptive approaches and proven methodologies combined with Dell Technologies' portfolio and partner ecosystem to help you achieve real business outcomes. From multi-cloud, applications, DevOps, and infrastructure transformations, to business resiliency, data center modernization, analytics, workforce collaboration, and user experiences—we're here to help.

## Dell EMC Remote Consulting Services

When you are in the final stages of your PowerEdge server implementation, you can rely on Dell EMC Remote Consulting Services and our certified technical experts to help you optimize your configuration with best practices for your software, virtualization, server, storage, networking, and systems management.

## Dell EMC Managed Services

Reduce the cost, complexity, and risk of managing IT. Focus your resources on digital innovation and transformation while our experts help optimize your IT operations and investment with managed services backed by guaranteed service levels.

## Appendix A. Additional specifications

### Topics:

- Chassis dimensions
- Chassis weight
- NIC port specifications
- Video specifications
- USB Ports
- Power Supply Units
- Environmental specifications

### Chassis dimensions

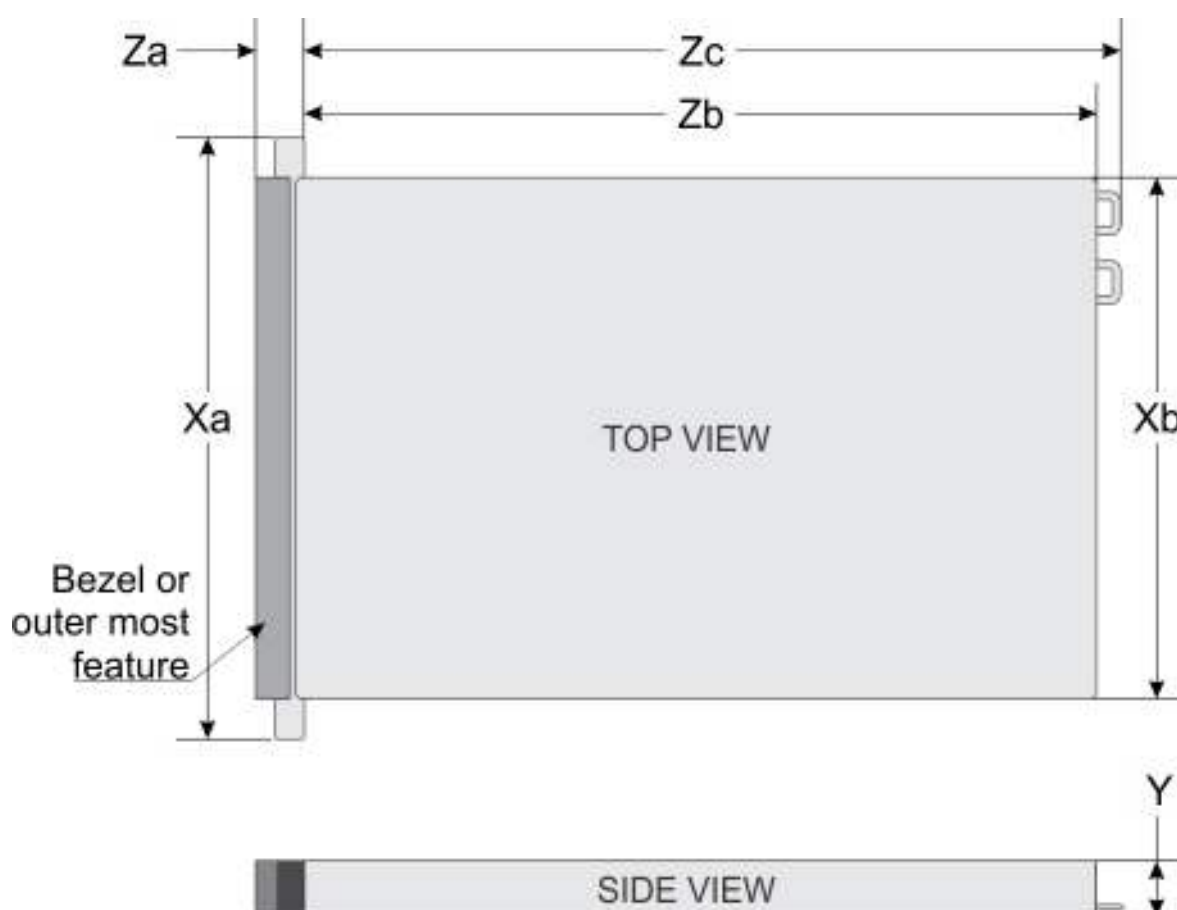


Figure 29. Chassis dimensions

Table 24. PowerEdge R350 chassis dimensions

Drives	Xa	Xb	Y	Za	Zb	Zc
4 x 3.5-inch	482.0 mm (18.98 inches)	434.0 mm (17.09 inches)	42.8 mm (1.7 inches)	35.64 mm (1.40 inches) With bezel	534.59 mm (21.04 inches) Ear to rear wall	563.3 mm (22.18 inches)

**Table 24. PowerEdge R350 chassis dimensions (continued)**

Drives	Xa	Xb	Y	Za	Zb	Zc
				22.0 mm (0.86 inches) Without bezel		Ear to PSU handle
8 x 2.5-inch	482.0 mm (18.98 inches)	434.0 mm (17.09 inches)	42.8 mm (1.7 inches)	35.64 mm (1.40 inches) With bezel 22.0 mm (0.86 inches) Without bezel	483.82 mm (19.04 inches) Ear to rear wall	512.53 mm (20.17 inches) Ear to PSU handle

**NOTE:** Zb is the nominal rear wall external surface where the system board I/O connectors reside.

## Chassis weight

**Table 25. PowerEdge R350 system weight**

System configuration	Maximum weight (with all drives/SSDs)
4 x 3.5-inch	13.14 kg (28.96 pound)
8 x 2.5-inch	11.74 kg (25.88 pound)

## NIC port specifications

The PowerEdge R350 system supports up to two 10/100/1000 Mbps Network Interface Controller (NIC) ports embedded on Motherboard.

**Table 26. NIC port specification for the system**

Feature	Specifications
LOM	1 GB x 2

## Video specifications

The PowerEdge R350 system supports integrated Matrox G200 graphics controller with 16 MB of video frame buffer.

**Table 27. Supported video resolution options for the system**

Resolution	Refresh rate (Hz)	Color depth (bits)
1024 x 768	60, 72, 75, 85	8, 16, 32
1280 x 800	60, 75	8, 16, 32
1280 x 1024	60, 75, 85	8, 16, 32
1360 x 768	60	8, 16, 32
1440 x 900	60, 75, 85	8, 16, 32
1600 x 900	60	8, 16, 32
1600 x 1200	60, 65, 70, 75, 85	8, 16, 32
1680 x 1050	60, 75, 85	8, 16, 32

**Table 27. Supported video resolution options for the system (continued)**

Resolution	Refresh rate (Hz)	Color depth (bits)
1920 x 1080	60	8, 16, 32
1920 x 1200	60, 75, 85	8, 16, 32

## USB Ports

**Table 28. PowerEdge R350 USB specifications**

Front		Rear		Internal (Optional)	
USB port type	No. of ports	USB port type	No. of ports	USB port type	No. of ports
USB 2.0-compliant port	One	USB 3.0-compliant port	One	Internal USB 3.0-compliant port	One
iDRAC Direct port (Micro-AB USB 2.0-compliant port)	One	USB 2.0-compliant port	One		

## Power Supply Units

Energy Smart power supplies have intelligent features, such as the ability to dynamically optimize efficiency while maintaining availability and redundancy. Also featured are enhanced power-consumption reduction technologies, such as high-efficiency power conversion and advanced thermal-management techniques, and embedded power-management features, including high-accuracy power monitoring. The table below shows the power supply unit options that are available for the R350.

**Table 29. Power supply unit options**

PSU	Class	Heat dissipation (maximum)	Frequency	Voltage	AC		DC Input	Current
					High line 200–240 V	Low line 100–120 V		
600 W AC	Platinum	2250 BTU/hr	50/60 Hz	100 - 240 V, autoranging	600 W	600 W	N/A	7.1 - 3.6 A
600 W DC	N/A	2250 BTU/hr	N/A	240 V DC	N/A	N/A	600 W	2.9 A
700 W AC	Titanium	2625 BTU/hr	50/60 Hz	100 - 240 V, autoranging	700 W	700 W	N/A	4.1 A
700 W Mixed Mode HVDC	Titanium	2625 BTU/hr	N/A	240 V DC	N/A	N/A	700 W	3.4 A

**NOTE:** This system is also designed to connect to the IT power systems with a phase-to-phase voltage not exceeding 240 V.

**NOTE:** Heat dissipation is calculated using the PSU wattage rating.

**NOTE:** When selecting or upgrading the system configuration, to ensure optimum power utilization, verify the system power consumption with the Dell Enterprise Infrastructure Planning Tool available at [www.dell.com/calc](http://www.dell.com/calc).

# Environmental specifications

**NOTE:** For additional information about environmental certifications, refer to the Product Environmental Datasheet located with the Documentation on [www.dell.com/support/home](http://www.dell.com/support/home).

**Table 30. Continuous Operation Specifications for ASHRAE A2**

	Allowable continuous operations
Temperature range for altitudes <= 900 m (<= 2953 ft)	10–35°C (50–95°F) with no direct sunlight on the equipment
Humidity percent range (non-condensing at all times)	8% RH with -12°C minimum dew point to 80% RH with 21°C (69.8°F) maximum dew point
Operational altitude de-rating	Maximum temperature is reduced by 1°C/300 m (33.8°F/984 Ft) above 900 m (2953 Ft)

**Table 31. Continuous Operation Specifications for ASHRAE A3**

	Allowable continuous operations
Temperature range for altitudes <= 900 m (<= 2953 ft)	5–40°C (41–104°F) with no direct sunlight on the equipment
Humidity percent range (non-condensing at all times)	8% RH with -12°C minimum dew point to 85% RH with 24°C (75.2°F) maximum dew point
Operational altitude de-rating	Maximum temperature is reduced by 1°C/175 m (33.8°F/574 Ft) above 900 m (2953 Ft)

**Table 32. Continuous Operation Specifications for ASHRAE A4**

	Allowable continuous operations
Temperature range for altitudes <= 900 m (<= 2953 ft)	5–45°C (41–113°F) with no direct sunlight on the equipment
Humidity percent range (non-condensing at all times)	8% RH with -12°C minimum dew point to 90% RH with 24°C (75.2°F) maximum dew point
Operational altitude de-rating	Maximum temperature is reduced by 1°C/125 m (33.8°F/410 Ft) above 900 m (2953 Ft)

**Table 33. Common Environmental Specifications for ASHRAE A2, A3, A4**

	Allowable continuous operations
Maximum temperature gradient (applies to both operation and non-operation)	20°C in an hour* (36°F in an hour) and 5°C in 15 minutes (41°F in 15 minutes), 5°C in an hour* (41°F in an hour) for tape <b>NOTE:</b> * - Per ASHRAE thermal guidelines for tape hardware, these are not instantaneous rates of temperature change.
Non-operational temperature limits	-40 to 65°C (-104 to 149°F)
Non-operational humidity limits	5% to 95% RH with 27°C (80.6°F) maximum dew point
Maximum non-operational altitude	12,000 meters (39,370 feet)
Maximum operational altitude	3,048 meters (10,000 feet)

**Table 34. Maximum vibration specifications**

Maximum vibration	Specifications
Operating	0.26 G <sub>rms</sub> at 5 Hz to 350 Hz (all operation orientations)
Storage	1.88 G <sub>rms</sub> at 10 Hz to 500 Hz for 15 minutes (all six sides tested)

**Table 35. Maximum shock pulse specifications**

Maximum shock pulse	Specifications
Operating	Six consecutively executed shock pulses in the positive and negative x, y, and z axis of 6 G for up to 11 ms.
Storage	Six consecutively executed shock pulses in the positive and negative x, y, and z axis (one pulse on each side of the system) of 71 G for up to 2 ms.

## Thermal restrictions

### ASHRAE A3/A4 Thermal restriction

The following list is the restriction for supporting fresh air in all the platform:

- BOSS(M.2) module is not supported.
- Redundant Power Supplies are required.
- 8 x 2.5-inch HDD support with HDD capability < 1 TB.
- Non Dell qualified peripheral cards and peripheral cards greater than 25 W are not supported.

**Table 36. Fan population**

Chassis	Configuration	Fan Q'ty	Fan Location
4x 3.5-inch hot plug	All Configuration	4x 4056	Fan 1, Fan 2, Fan 3, Fan 4
8x 2.5-inch hot plug	All Configuration	4x 4056	Fan 1, Fan 2, Fan 3, Fan 4

## Appendix B. Standards compliance

The system conforms to the following industry standards.

**Table 37. Industry standard documents**

Standard	URL for information and specifications
<b>ACPI</b> Advance Configuration and Power Interface Specification, v2.0c	<a href="https://uefi.org/specsandtesttools">https://uefi.org/specsandtesttools</a>
<b>Ethernet</b> IEEE 802.3-2005	<a href="https://standards.ieee.org/">https://standards.ieee.org/</a>
<b>HDG</b> Hardware Design Guide Version 3.0 for Microsoft Windows Server	<a href="https://microsoft.com/whdc/system/platform/pcdesign/desguide/serverdg.mspx">microsoft.com/whdc/system/platform/pcdesign/desguide/serverdg.mspx</a>
<b>IPMI</b> Intelligent Platform Management Interface, v2.0	<a href="https://intel.com/design/servers/ipmi">intel.com/design/servers/ipmi</a>
<b>DDR4 Memory</b> DDR4 SDRAM Specification	<a href="https://jedec.org/standards-documents/docs/jesd79-4.pdf">jedec.org/standards-documents/docs/jesd79-4.pdf</a>
<b>PCI Express</b> PCI Express Base Specification Rev. 2.0 and 3.0	<a href="https://pcisig.com/specifications/pciexpress">pcisig.com/specifications/pciexpress</a>
<b>PMBus</b> Power System Management Protocol Specification, v1.2	<a href="http://pmbus.org/Assets/PDFS/Public/PMBus_Specification_Part_I_Rev_1-1_20070205.pdf">http://pmbus.org/Assets/PDFS/Public/PMBus_Specification_Part_I_Rev_1-1_20070205.pdf</a>
<b>SAS</b> Serial Attached SCSI, v1.1	<a href="http://www.t10.org/">http://www.t10.org/</a>
<b>SATA</b> Serial ATA Rev. 2.6; SATA II, SATA 1.0a Extensions, Rev. 1.2	<a href="https://sata-io.org">sata-io.org</a>
<b>SMBIOS</b> System Management BIOS Reference Specification, v2.7	<a href="https://dmtf.org/standards/smbios">dmtf.org/standards/smbios</a>
<b>TPM</b> Trusted Platform Module Specification, v1.2 and v2.0	<a href="https://trustedcomputinggroup.org">trustedcomputinggroup.org</a>
<b>UEFI</b> Unified Extensible Firmware Interface Specification, v2.1	<a href="https://uefi.org/specifications">uefi.org/specifications</a>
<b>USB</b> Universal Serial Bus Specification, Rev. 2.7	<a href="https://usb.org/developers/docs">usb.org/developers/docs</a>

## Appendix C Additional resources

**Table 38. Additional resources**

Resource	Description of contents	Location
Installation and Service Manual	This manual, available in PDF format, provides the following information: <ul style="list-style-type: none"> <li>• Chassis features</li> <li>• System Setup program</li> <li>• System indicator codes</li> <li>• System BIOS</li> <li>• Remove and replace procedures</li> <li>• Diagnostics</li> <li>• Jumpers and connectors</li> </ul>	<a href="http://Dell.com/Support/Manuals">Dell.com/Support/Manuals</a>
Getting Started Guide	This guide ships with the system, and is also available in PDF format. This guide provides the following information: <ul style="list-style-type: none"> <li>• Initial setup steps</li> </ul>	<a href="http://Dell.com/Support/Manuals">Dell.com/Support/Manuals</a>
Rack Installation Guide	This document ships with the rack kits, and provides instructions for installing a server in a rack.	<a href="http://Dell.com/Support/Manuals">Dell.com/Support/Manuals</a>
System Information Label	The system information label documents the system board layout and system jumper settings. Text is minimized due to space limitations and translation considerations. The label size is standardized across platforms.	Inside the system chassis cover
Quick Resource Locator (QRL)	This code on the chassis can be scanned by a phone application to access additional information and resources for the server, including videos, reference materials, service tag information, and Dell EMC contact information.	Inside the system chassis cover
Enterprise Infrastructure Planning Tool (EIPT)	The Dell EMC online EIPT enables easier and more meaningful estimates to help you determine the most efficient configuration possible. Use EIPT to calculate the power consumption of your hardware, power infrastructure, and storage.	<a href="http://Dell.com/calc">Dell.com/calc</a>