

# LED Loading Dock Light



## DESCRIPTION

G JIA led loading dock light is designed for a variety of warehouse and work space conditions, led loading bay dock lights used to illuminate the full length of truck trailers.

These dock light fixtures increase safety during loading and unloading.



## KEY FEATURE



20W/30W/40W/50W

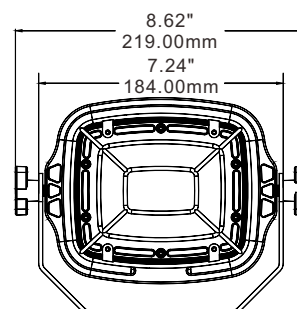
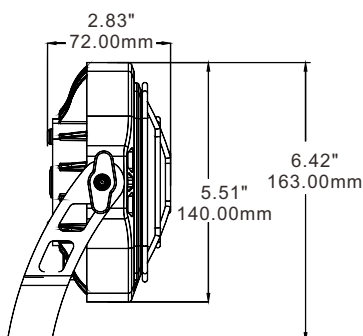
- Using Epistar LEDs, high lumens up to 140LPW
- Safety yellow rugged cast aluminum housing
- Come with an on/off switch on the light head for easy operation
- High light transmittance PC cover
- Anti-corrosion stainless steel cage with good impact resistance
- High reliable constant current LED driver
- Available in multiple swing brackets optional
- ETL/cETL/FCC/CE/RoHS approved
- >50,000 hours lifespan, offer 5 years warranty

## SPECIFICATION

Item NO.	Watt	Total Lumens	Dimension	Beam Angle	LED Brand	CCT	Input Voltage	CRI	Power Factor	IP Rating
RMS-L200120	20W	2800LM±10%	φ219*163*70mm	30°	Epistar	3000K 4000K 5000K 5700K 6500K	AC100-277V, 50-60Hz	≥70+	≥0.9	IP65
RMS-L200130	30W	4200LM±10%								
RMS-L200140	40W	5600LM±10%								
RMS-L200150	50W	7000LM±10%								

## DIMENSION

Unit: inch/mm



## DETAILS

### 1/ Lumens effect up to 140LPW

Using Epistar LED, has a higher junction temperature, extend lifetime and lower light degradation.

**EPISTAR**



### 2/ 30° PC Lens

It is spot lighting for longer irradiation distance, suitable for illuminate the full length of truck trailers.



### 4/ Hand twists screw

Bracket is adjusted for different lighting direction by fixed screw



### 3/ Stainless steel cage

Durable design with good impact resistance, anti-corrosion



### 5/ Safety yellow aluminum housing

Die-cast aluminum housing with fin design for excellent cooling effect



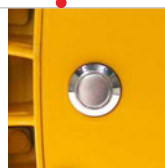
### 6/ Connector design

Come with 1ft(300mm) regular waterproof connector; 120V grounded US plug is optional



### 7/ ON-OFF switch button

Built-in switch to control on-off condition, easy operation and more convenient



### 8/ OEM label service offered

Offer customized label design can be laser on the back side of lamp



## PRODUCT DISPLAY



Single Arm



Double Arm

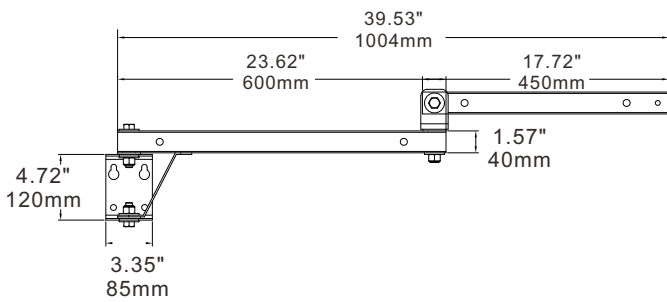


Arm with the receptacles

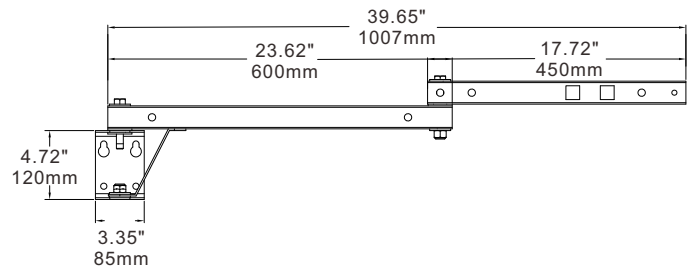
Cord length of bracket is 5ft(1500mm),  
120v US grounded plug optional

## BRACKET

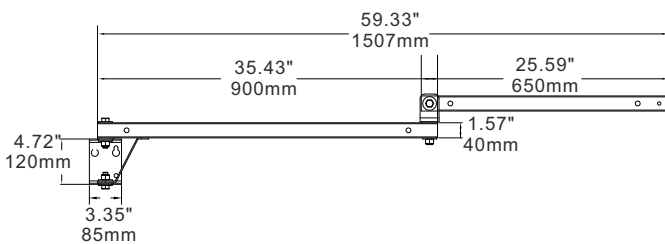
### Single Arm



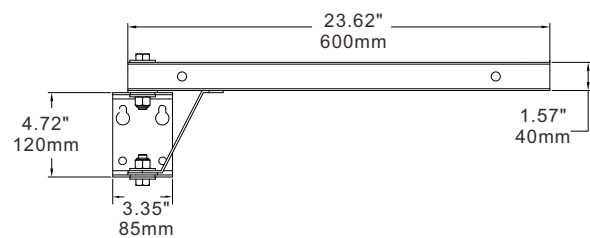
40" Bracket A1



40" Bracket A2, Built-in receptacle

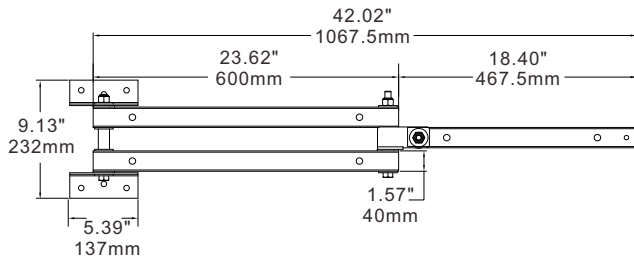


60" Bracket A3

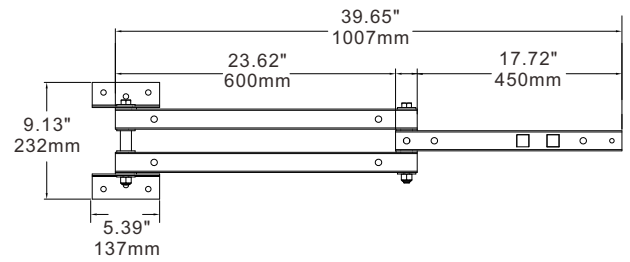


24" Bracket A4

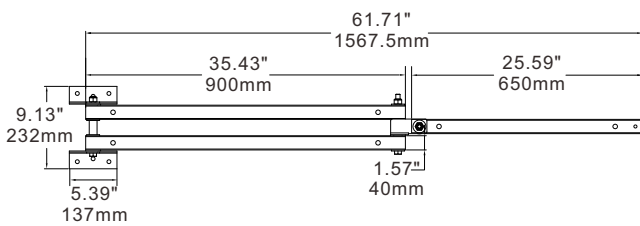
## Double Arm



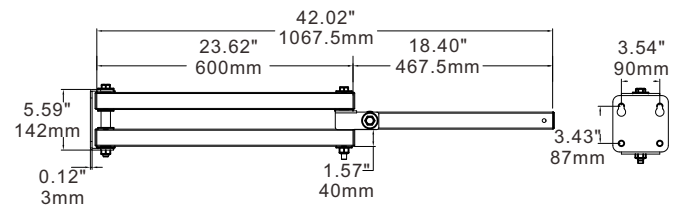
40" Bracket B1



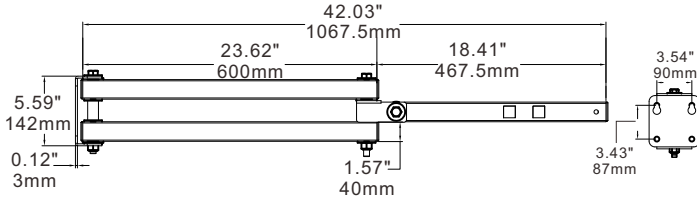
40" Bracket B2, Built-in receptacle



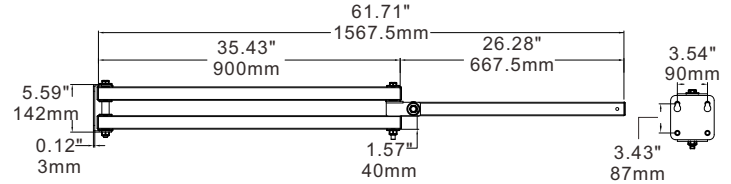
60" Bracket B3



40" Bracket C1



40" Bracket C2, Built-in receptacle



60" Bracket C3

## APPLICATION

Applications include shipping and receiving loading docks, machine stations such as a stamping press, inspection stations, general work lighting, indoor and outdoor spot lighting, and other similar applications.

