

LED TEMPORARY WORK LIGHT





DESCRIPTION

G JIA LED Temporary Work Fixture is ideal for a wide range of construction jobsite and maintenance activities with features designed to fit any application. Long lifespan, superior energy efficiency up to 75%, quick install, plug-n-play instant operate, portable, heavy duty, durable temporary lighting.



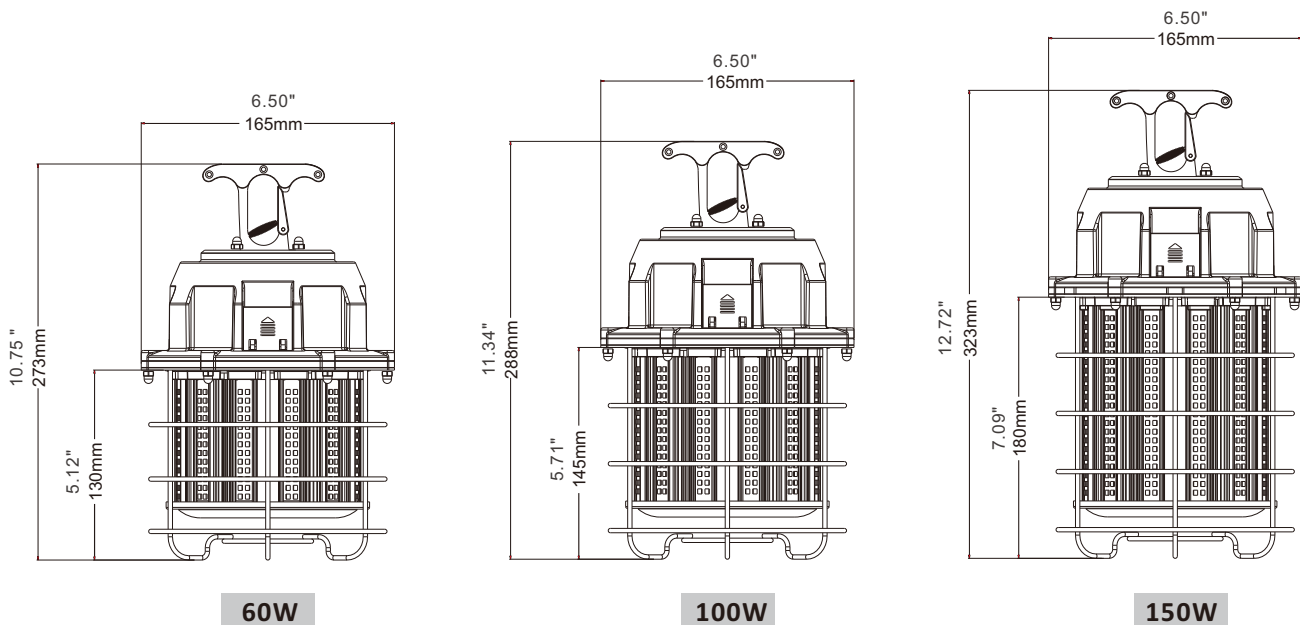
KEY FEATURE

- 360° Omni-directional lighting.
- Ultra-bright: 120lm/W.
- 6-10KV internal surge protection.
- Come with 10-foot 18AWG cord and 120V plug.
- Built-in socket, can be linked one by one.
- Suitable for dry and damp location.
- Portable hook, easy to carry and quick install.
- Heavy duty and durable construction, steel stainless lamp cage.
- Ventilation air-flow heat sink design for better heat dissipation.
- High quality led driver to ensure stable working situation.
- Waterproof rubber design for better waterproof performance.
- Operating temperature: -40°C/-40°F to 60°C/140°F.

SPECIFICATION

Item NO.	Watt	Total Lumens	Led Quantity	Surge Voltage	CCT	Input Voltage	CRI	Power Factor	Operating Temperature	Metal Halide Equivalent
RMS-K5-II-60W	60W	7200LM	270	6KV						250W
RMS-K5-II-100W	100W	12000LM	408	6KV	5000K	AC100-277V, 50-60Hz	>80	>0.9	-40 to 60	400W
RMS-K5-II-150W	150W	18000LM	676	10KV						600W

DIMENSION



DETAILS

LED Driver
Using Rubycon capacitors
6000V surge protection
High reliability

Portable hook
Easy to carry and install
Flexible with spring

Built-in socket
Can be linked one by one,
maximum of 10pcs 60W or
7pcs 100w or 5pcs 150w

120V USA plug with cord
Cord length: 10ft
Cord type: 18AWG

120lm/W
Ultra-bright
EPistar LED

Heavy-duty welded lamp cage
Steel stainless material
Strong & durable

Waterproof rubber gasket
Better waterproof performance

Ventilation air-flow heat sink
Better heat dissipation
Extended working lifetime



Built-in socket, can be linked one by one.

Test Data of Maximum Linkable Quantity				
Working Condition: Input voltage is AC120V, each led temporary work light comes with 10ft 18/3 cord.				
Connection Way:	Model Number:	60W, same power	100W, same power	150W, same power
	The maximum quantity for fixture's plug to link another fixture's socket, without power cord	10 pieces	7 pieces	5 pieces
	The maximum quantity for linking the fixtures with 164ft 18/16AWG power cord	5 pieces	3 pieces	2 pieces
	The maximum quantity for linking the fixtures with 328ft 18/16AWG power cord	3 pieces	2 pieces	1 pieces
	The maximum quantity for linking the fixtures with 164ft 14AWG power cord	7 pieces	6 pieces	4 pieces
	The maximum quantity for linking the fixtures with 328ft 14AWG power cord	5 pieces	3 pieces	2 pieces
	The maximum quantity for linking the fixtures with 164ft 12AWG power cord	8 pieces	6 pieces	4 pieces
	The maximum quantity for linking the fixtures with 328ft 12AWG power cord	6 pieces	4 pieces	3 pieces



MULTIPLE BRACKET ACCESSORIES OPTIONS



Classical bracket



Magnetic bracket



Tripod

APPLICATION

- * New Building Construction or Renovation.
- * Maintenance or storage spaces in commercial or institutional facilities.
- * Short-term maintenance projects.
- * Warehouses, factories, Exhibition halls and workshops.
- * Highway toll stations and gas stations.



PACKAGING

Power	60W	100W	150W
Net Weight	4.41lb	5.51lb	6.39lb
Master Carton	4 unit	4 unit	4 unit
Master Carton(G.W.)	21.381lb	26.24lb	29.98lb

