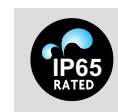




GJIA

UFO LED High Bay Light

100W~240W



GJIA

WWW.GGJIA-LED.COM

Tel: +1(626)977-6424 E-mail: sales@ggjia-led.com



Features:

- * Light Efficiency: 150lm/W;
- * High bright EVERLIGHT LEDs;
- * Optics of 60°/90°/120° available on request;
- * High-transmittance and anti-UV Polycarbonate lens;
- * Excellent thermal management design;
- * Die-casting aluminum with polyester powder coat finish;
- * IP65/IK08 rating for outdoor usage;
- * Hook hanging and U-bracket installation are available;
- * Energy savings, no UV and IR radiations, emits low heat;
- * 1-10V dimming for low power consumption;
- * DLC/ETL/cETL/SAA/C-TICK/FCC/CE/RoHS approval;
- * 5 years warranty



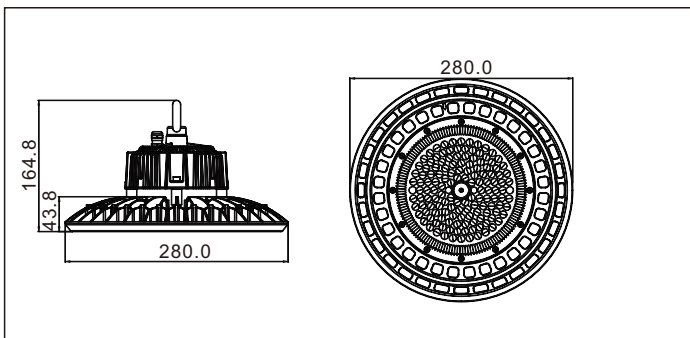
Specifications:

Model	RMS-HB-XXXW
Wattage	100W/150W/200W/240W
Luminous Flux	150LM/W
Beam Angle	60°/90°/120°
Color Temperature	3000K~6000K
Input Voltage	AC100-277V, 50-60Hz
LED Brand	Everlight
CRI	Ra>80
PF	>0.9
Life Hours	50,000
Operation Temperature	-35°C~55°C
IP Rating	IP65

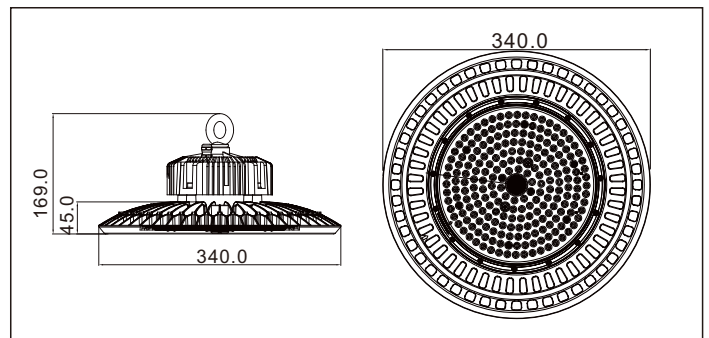


Dimension:

Unit: mm



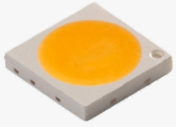
100W/150W



200W/240W



Details:



- High bright Everlight SMD2835, LM80 listed. Whole lamp is 150LPW



- MEANWELL/PHILIPS/SOSEN/FAHOLD/ROMANSO LED driver, 1-10V dimming, high reliable, offer 5 years warranty



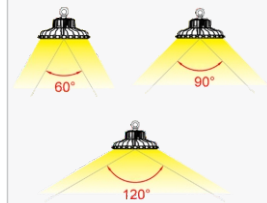
- Die cast aluminum alloy body, cooling fins provide maximum heat dissipation.



- Die cast hook mount standard for ease of installation, surface mounted baracket optional.



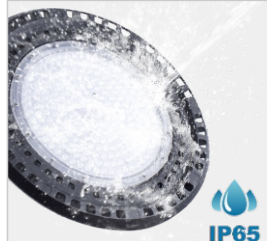
- LED and heat sink are parallel, no dark area, no shadow.



- 3 kinds of beam angle options to suit different lighting requirements in different areas.



- 60°/90° of PC/Aluminum Reflectors are optional.



- Ip65 waterproof for wet location

Mounting Height & Equivalence:

100W
15,000 Lumens

15-20'
Mounting
Height

Equivalence
175-250 HID
6-Lamp 32W T8

150W
22,500 Lumens

20-25'
Mounting
Height

Equivalence
400 HID

200W
30,000 Lumens

25-30'
Mounting
Height

Equivalence
400-600 HID

240W
36,000 Lumens

30-35'
Mounting
Height

Equivalence
400-600 HID



Application:

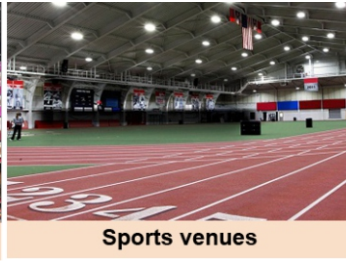
LED UFO high bay fixtures are ideal for Warehouses, Manufacturing Facilities, Gymnasiums, Aviation Hangars, Convention Centers, Big Box Retail Stores, Cold Storage Facilities.



Factory workshop



Large supermarkets



Sports venues



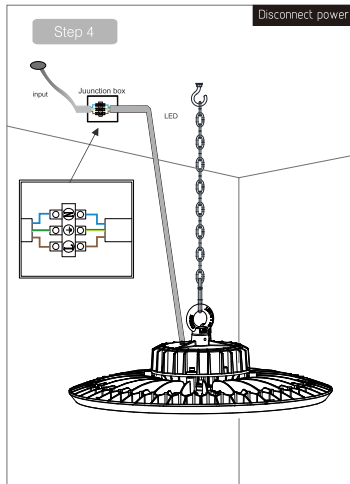
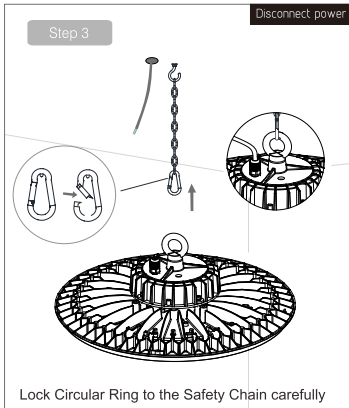
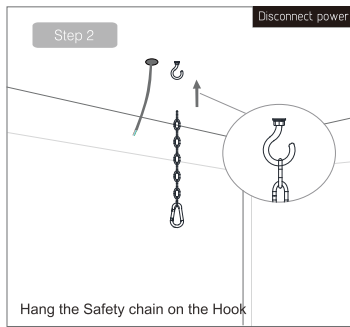
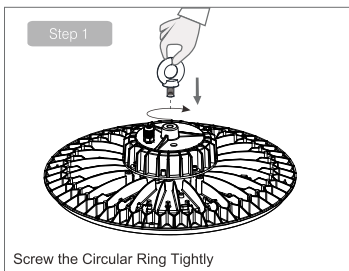
Airport

Installation Instruction:

1. Hook hanging Installation



2. Bracket Mounted Installation



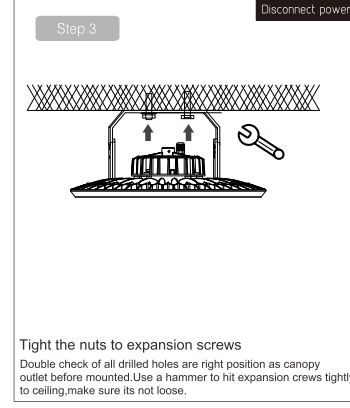
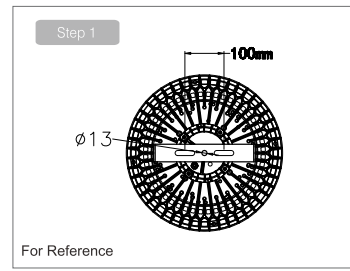
Note:

- ① AC 100-277V Cable
- L Brown
- N Blue
- ⊕ Green / Yellow

Warning

• Please make sure the power off before operation

L-Brown N - Blue ⊕Green/Yellow
Then light up the lamp

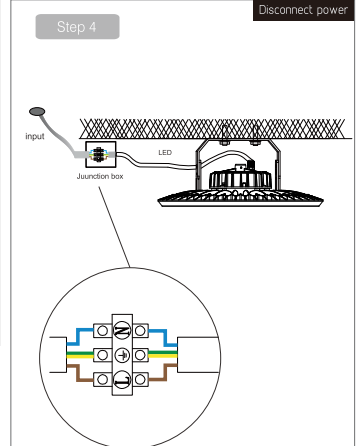
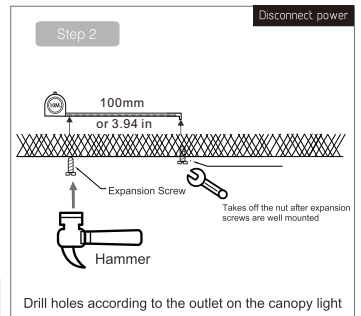


Note:

- ① AC 100-277V Cable
- L Brown
- N Blue
- ⊕ Green / Yellow

Warning

• Please make sure the power off before operation



L-Brown N - Blue ⊕Green/Yellow
Then light up the lamp