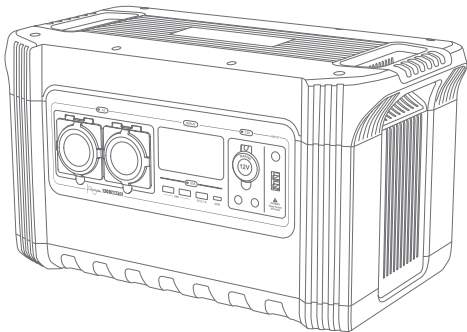


iTECHWORLD

iTECH1300P Portable Power Station USER GUIDE



Before using or storing, please read this user guide carefully, and charge your iTECH1300P with the included charging adapter.

Introduction

Thank you very much for purchasing our multi-function portable power station. In case of power failure or you need to charge on a travel, you can temporarily charge your electrical or digital products with this product. This power station is built with high quality lithium-ion battery, supports USB, DC 12V and AC output. Before using this product, please read the user manual carefully and properly keep for reference.

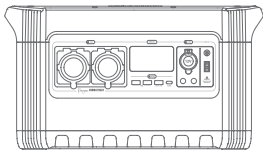
What's In The Box

A: iTECH1300P Portable Power Station

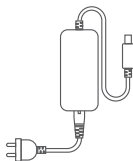
B: AC Charging Adapter

C: Car Charger Cable

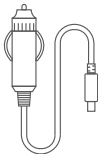
D: User Guide



A



B

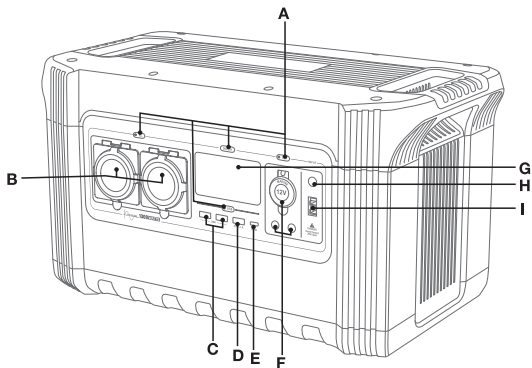


C



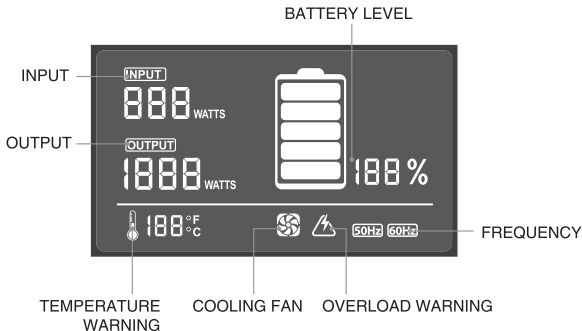
D

Get To Know iTECH1300P



- A.** Interactive Buttons
- B.** AC Output
- C.** USB-A QC Output
- D.** USB-A Output
- E.** USB-C PD Input/ Output
- F.** 12V Output
- G.** LCD Display
- H.** DC Input Port(Adapter&Car charger)
- I.** Solar Charging Port(PV)

LCD Display



INPUT: shows the amount of power (watts) going into the iTECH1300P while charging.

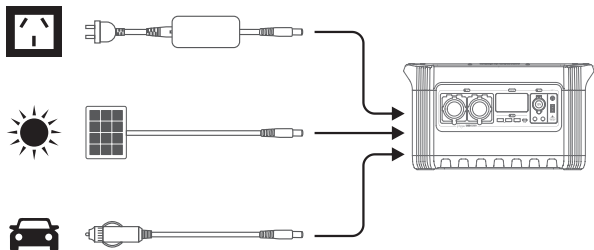
OUTPUT: shows the amount of power (watts) your devices are using while plugged into the iTECH1300P.

BATTERY LEVEL: shows 5 segments, approximating 20% - 40% - 60% - 80% - 100% capacity. When charging your iTECH1300P, you will notice a battery segment blinking, this indicates the current charge status. Once fully charged, all battery segments will be lit and remain solid.

OVERLOAD WARNING: power draw exceeds port's maximum allowance, indicated by red light on the port's button.

TEMPERATURE WARNING: the unit is over-heating.

Charging Your iTech1300P



Charging from wall charger:

Using the included AC charging adapter, plug your iTech1300P into any wall outlet. You will know the iTech1300P is fully charged when the LCD display shows number 100%.

Charging from solar panel:

The DC input and PV port are compatible with charging from solar panels.

1. Place your solar panel where it will get as much direct sunlight as possible.
2. Connect your solar panel directly to your iTech1300P bypassing any solar regulators/controllers. To connect your solar panel please ensure you are using the iTechworld 50A anderson to 30A anderson solar adapter.

IMPORTANT NOTE: When solar recharging your iTech1300P, take note of the voltages of the solar panels. Individual solar panels, or solar panels chained in series in excess of 26V cannot be used with the iTech1300P and can cause serious damage to the unit.

Charging from your car:

Charge your iTech1300P from any 12V source such as your car.

Using Your iTECH1300P

What it powers



Light



Phone



Laptop



Mini Fridge

... and many more

How to use the iTECH1300P USB/ DC 12V output:

1. Press and hold the USB/ 12V button for 1S.
2. You'll know the port is turned on when the green LED light on the button is illuminated.
3. Plug in your electrical device for power.

How to use the iTECH1300P AC output:

1. Plug your 240v device into the AC output.
2. Press and hold the AC button for 2S.
3. You'll know the port is turned on when the green LED light on the AC button is illuminated

* It is very important to plug 240v devices into the AC outputs before trying to turn on the AC inverter. If new devices are plugged in while the AC light is on the inverter may shut down as a safety precaution *

- Press the DISPLAY button to turn on/ off the LCD display.
- When not using certain ports, make sure to turn them off to conserve power.

Best-use strategy:

- When charging device with your iTECH1300P, take note of the LCD Battery Display. Make sure that the electronic device you are powering works properly prior to use. The max. power consumption for electronic devices is 1300W.
- If you plug in devices that have a high power requirement (a large refrigerator etc.), the charge level of your iTECH1300P can drop very quickly and you may not get exactly 1254Wh of energy. Also, especially when using the AC power output, the iTECH1300P will be converting the energy from the DC power of the battery to the AC power needed by your device. Although iTECH1300P has a highly efficient inverter, there is still some energy lost in the conversion and you will not get the full rated capacity of the battery.

Appropriate temperature usage:

Cold temperatures can impact both the battery capacity and the output power. The iTECH1300P can power your devices at temperatures ranging from 0°C~45°C. If your working temperature is beyond this range, the iTECH1300P may stop working.

Technical Specifications

Battery

Cell Type: LiFePO4

Pack Capacity: 1254Wh(100Ah)

Lifecycles: 2000 cycles to 80% capacity

Shelf-life: Charge every 3-6 months

Management System: MPPT charge controller, BMS

Ports

AC Output Port: 230Vac 50Hz; 1300W Rated, 2000W Peak

12V DC 5.5mm Port(output): 12V/5A, 60W max

12V Car Port(output): 12V/10A, 120W max

USB-A Ports(output): 5V/3.1A

USB-A QC Port(output): 5-12V, 18W max

USB-C PD Port(input/output): 5-20V, 60W max

DC Input Port(6.5mm): 11-26V, 160W max

Solar Charging Port(PV): 12-26V, 250W max

General

Weight: 17kg



Dimension: 430 x 243 x 240mm

Operating Temp.: 0°C~45°C

Charging Temp.: 0°C-40°C

Troubleshooting

If your devices are not recharging from iTECH1300P, follow these steps:

1. Ensure the output port has been turned on. The green LED light on the power button should be lit up.
2. Check the Battery Display. If it is at 20% or below, charge it.
3. Verify your device is suitable for use with the iTECH1300P:
 - a. All of the output ports have their own max power capacity. Check the Technical Specifications to ensure your device is compatible.
4. Check the LCD Display for warning icons:
 -  **OVERLOAD WARNING:** Power draw exceeds port's maximum allowance, indicated by red light in the port's button. You need to remove the device in corresponding port first, and then press the button of the port to recover.
 -  **TEMPERATURE WARNING:** The iTECH1300P has overheated, please allow the unit to cool.

My iTECH1300P will not charge via solar.

Please ensure you are using an un-regulated solar panel as the iTECH1300P has an inbuilt MPPT solar controller. Please ensure that your solar panel's specs are compatible with the iTECH1300P, this is found under the charging section of your user guide.

Frequently Asked Questions

What type of battery is in a iTECH1300P?

iTECH1300P contains a battery pack which consists of an array of cylindrical lithium LiFePO4 cells with high energy density.

Can I charge iTECH1300P while supplying power at the same time?

When iTECH1300P is in recharging, the USB and DC 12V output ports are workable; but the AC output is shut down at this period.

How long does it take to fully charge the iTECH1300P through AC adapter?

It takes around 9 hours to fully charge it via AC adapter.

How do I know if my device will work with the iTECH1300P?

You'll need to determine the amount of power your device requires. This may require some research on your end, a good internet search or examining the user guide for your device should suffice. To be compatible with the iTECH1300P, you should use devices that require less than 1300W.

Security And Maintenance

- Do not short-circuit the unit. To avoid short-circuiting, keep the unit away from all metal objects (e.g. coins, hair-pins, keys, etc.).
- Do not heat the unit, or dispose of it in fire, water or other liquids. Keep away from high temperatures. Do not expose the unit to direct sunlight.
- Keep away from high humidity, dusty places.
- Do not disassemble or reassemble this unit.
- Do not drop, place heavy objects on, or allow strong impact to this unit.
- This appliance is not intended for use by persons (including children) with reduced physical, sensory or mental capabilities, or lack of experience and knowledge, unless they have been given supervision or instruction concerning use of the appliance by a person responsible for their safety.
- Children should be supervised to ensure that they do not play with the appliance.
- Do not cover the device with towels, clothing and other item.
- Use the unit properly to avoid electronic shock.
- Please deal with scrap products in accordance with the regulations, do not treat the built-in battery as a household garbage, so as not to cause the explosion and pollution.
- The product is only used for emergency power station, it can not replace the standard DC or AC power of household appliances or digital products.

CONTACT

iTECH1300P

iTechworld
281 Great Eastern HWY
Burswood WA 6100

1300 483 249

www.itechworld.com.au

service@itechworld.com.au