

iTECHWORLD

Multifunctional Jump Starter

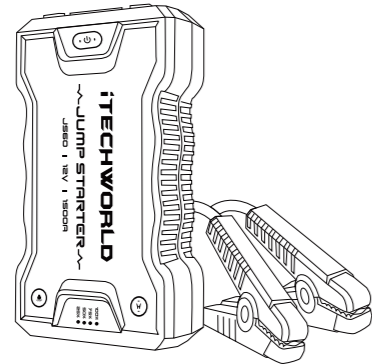
JS60



INTRODUCTION

About JS60

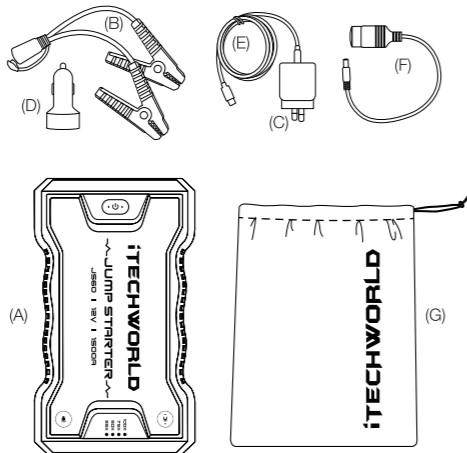
Thank you for purchasing the iTechworld JS60. Please read and understand this user guide before using the product. The JS60 is a vital power source that has been explicitly designed to jump-start any vehicle's battery with minimal fuss and effort. By reading this user guide and becoming familiar with the operation of the JS60, it will ensure that you can jump-start your vehicle quickly.



IN THE BOX

What's In The Box.

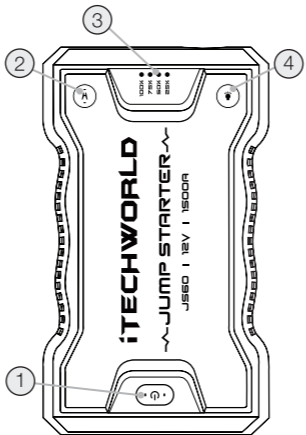
- (A) JS60 Jump Starter
- (B) Heavy Duty clamps
- (C) 18W 240V charger (wall charger)
- (D) 12V car charger
- (E) Type C to type C cable
- (F) 12V female cig socket
- (G) Storage bag
- (H) User guide (not shown below)



INTERFACE

JS60

- 1 Power button
- 2 Jump Start button
- 3 State Of Charge (SOC)
- 4 Torch button



GETTING STARTED

JS60

The JS60 has been designed and developed in Perth, Australia and utilizes an ultra-safe design which prevents any errors occurring. With no less than seven safety features, including spark-proof technology and reverse polarity protection, the JS60 is the smart, secure, and straightforward way to start a vehicle.

Read and understand this user guide before trying to operate the JS60. Please note that the JS60 is only suitable for 12V batteries. Please fully charge the JS60 when you receive it. To maintain the longevity and effectiveness of the JS60, keep it fully charged. Do not leave the JS60 always on the charger, when the JS60 reaches 100%, disconnect the charger. The JS60 can hold its charge for up to six months. You must check the state of charge every 2-3 months and charge if required. Do not leave the JS60 in an uncharged state (0%) for more than three days.

Under normal circumstances, the JS60 will jump-start any vehicle instantly. From one full charge of the JS60, you can jump start numerous times. The JS60 has fast-charging USB ports, USB-C port, 12V output port and a 200 lumens tactical flashlight.



JUMP STARTING

JS60

Before connecting the JS60 to a vehicle's battery, ensure that the battery and vehicle are 12V. The JS60 is only suitable for 12V vehicles, the JS60 is not suitable for 24V+ vehicles. In most cases, the positive terminal will be red + and the negative terminal will be black -.

Do not make any connections to carburetors, fuel lines or sheet metal parts.

1. Locate the "12V OUT" section on the JS60 and open the orange rubber flap.
2. Insert the Heavy Duty clamps into the "12V OUT" section.
3. Ensure that the vehicle's power loads are all off. Headlights, radio, air conditioning and any other load.
4. Connect the Heavy Duty clamps to the corresponding battery terminals. Positive to positive and negative to negative.
5. Press the start button located on the face of the JS60. See image below. If connected correctly, the start button will illuminate green.
6. Start the vehicle.
7. If the vehicle does not start, wait 30 seconds and repeat from step 5 onward. Do not attempt more than five jump starts within fifteen minutes.
8. When the vehicle starts, disconnect the JS60 and Heavy Duty clamps.

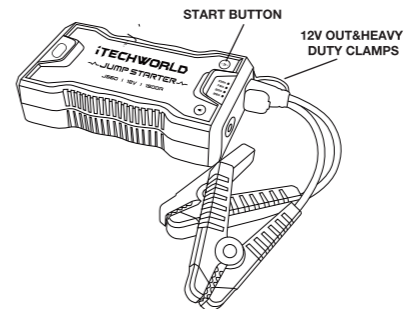
Before starting the JS60, you need to turn off the Type-C/USB/DC output, you can press and hold the power button until all the lights go out.

FORCED START MODE

JS60

If the external battery voltage is lower than 2V, pressing the jump start button can't start the ignition function. At this time, it is necessary to start the ignition function forcibly. The methods are as follows: connect the heavy duty clamps with the vehicle battery correctly, press the jump start button, and press the jump start button and torch button for 5S at the same time, the backlight of the jump start button will flash for 10s, and the ignition function will be started forcibly. After the ignition is completed, the First press the jump start button to close, then remove the clamp wire. In any case, as long as the ignition function is turned on, the timer will be timed for 60s at the same time, and the forced ignition function will be automatically turned off after 60s.

Note: under the forced start mode, the positive and negative poles of the clamp can not be connected reversely, and can not be short circuited.

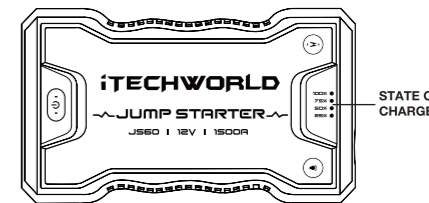


STATE OF CHARGE

JS60

The JS60 has four charge leds 25%, 50%, 75% and 100%. The charging LEDs indicate the state of charge (SOC) of the internal battery of the JS60. The charging time of the JS60 will vary depending on the discharge level and the power supply used.

- 5V2A - 4 - 5 hours
- 9V2A - 2 - 3 hours
- 12V1.5A - 2 - 3 hours



CHARGING

How to charge your JS60

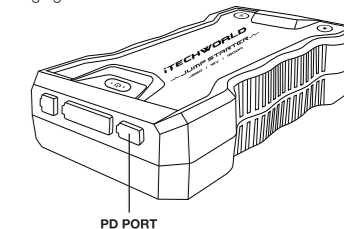
The JS60 charges via the PD port. There are two methods that you can use to charge the JS60, all equipment to charge the JS60 is provided in the kit. While charging the JS60 can be discharged at the same time, this means while the JS60 is being charged you can run your 12V appliance and use the USB outputs.

Charging method 1

- Locate the PD port on the JS60 and open the orange rubber flap.
- Take the Type C to Type C cable and insert one end into the PD Port of the JS60.
- Insert the other end of the Type C to Type C cable to the PD Port on the 18w 240V charger (wall charger).
- Insert the 18w 240V charger (wall charger) into a 240V mains power supply to begin charging.

Charging method 2

- Locate the PD port on the JS60 and open the orange rubber flap.
- Take the Type C to Type C cable and insert one end into the PD Port of the JS60.
- Insert the other end of the Type C to Type C cable to the PD Port on the 12V car charger.
- Insert the 12V car charger into a 12V power supply to begin charging.



PD PORT

ENERGY SAVING



JS60

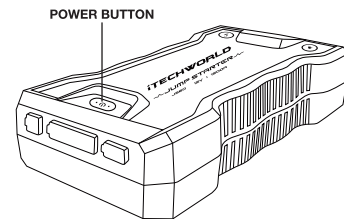
The JS60 has energy saving modes which will activate if certain criteria is reached.

If the load of USB port is less than 100mA after 30 seconds, the output will be closed automatically.

If the 12V DC load is less than 100mA after 30 seconds, the output will be automatically closed.

If the duration of the flashlight is more than 2 hours, the LED flashlight will be automatically turned off.

Press the start button, no operation time > 90s, automatic shutdown.

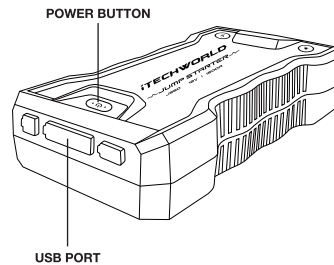


USB



JS60

The JS60 has two quick charge USB ports. To use the USB ports, the JS60 must be switched "on" via the power button. Locate the USB ports on the JS60 and open the orange rubber flap. Plug in the device to the USB ports to use.

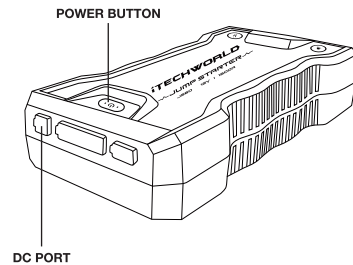


12V DC OUTPUT



JS60

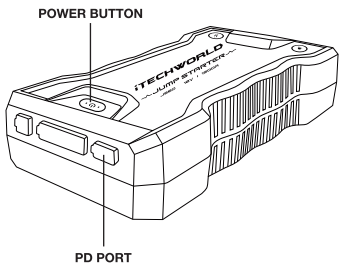
The JS60 has one 12V regulated DC port. To use the DC port, the JS60 must be switched "on" via the power button. Locate the DC port on the JS60 and open the orange rubber flap. Plug in the 12V female cig socket provided in the kit. You can now plug in 12V powered devices such as a 12V fridge into the JS60. Maximum amp draw 5Amps.



USBC PD OUTPUT

JS60

The JS60's PD port can also be used as an output to power USBC devices. The JS60 supports PD18W output 5V3A, 9V2A, 12V1.5A. To use the USBC PD port, the JS60 must be switched "on" via the power button. Locate the USBC PD port on the JS60 and open the orange rubber flap. Plug in the device to the USBC PD port to use.

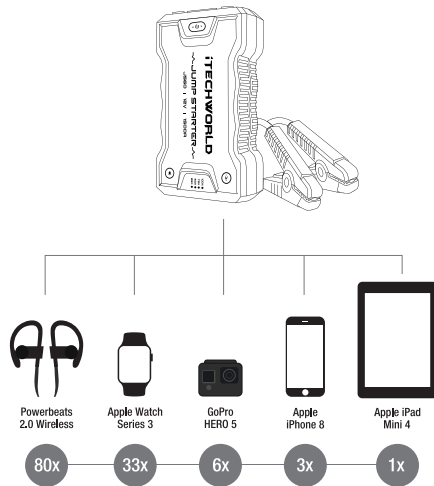


RUNNING DEVICES

JS60

The JS60 is great as a portable power supply, all ports can be used simultaneously as outputs. Charge and run multiple devices all at the same time.

See the info-graph below to show how many times you can charge popular items with the JS60.

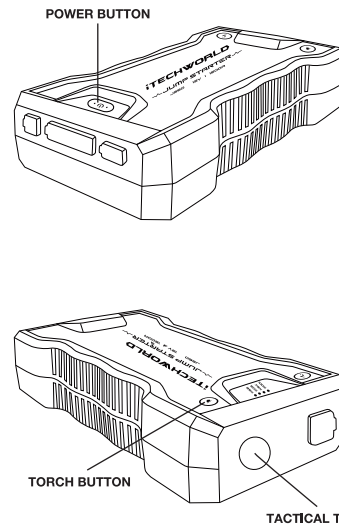


TACTICAL TORCH



JS60

JS60 has a 200 lumen tactical torch built in. Long press the torch button and the flashlight will light up. To turn off the flashlight, press the torch button again.



SPECIFICATIONS

JS60

Peak current: 1500A
Optimum operating temperature: -20°Cto +50°C
Optimum charging temperature: 0°Cto +40°C
Optimum storage temperature: -20°Cto +50°C
PD input/output: MAX18W 5V3A 9V2A 12V1.5A
USB output: 5VA2.1A
DC output: 12V MAX5A
Shell protection: IP65 with ports closed
Cooling: Natural convection
Dimensions L * W * H: 185 * 100 * 50mm
Weight: 0.8kg

ERRORS

JS60

Reverse polarity protection: the indicator light of torch button is red.

Reverse charging protection: the green indicator of torch button and power button are on alternately.

Temperature protection: four state of charge (SOC) indicators flash.

CONTACT



JS60

iTechworld
281 Great Eastern HWY
Burswood WA 6100

1300 483 249
www.itechworld.com.au
service@itechworld.com.au