

# USER GUIDE

# EB3840

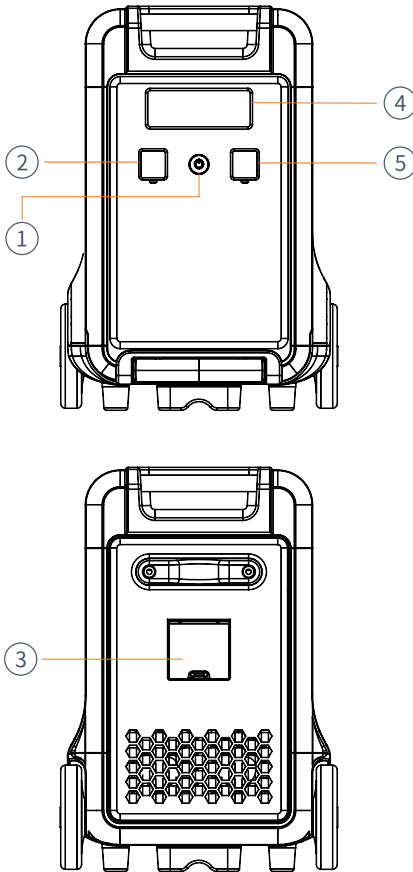
## EXPANSION BATTERY



# CONTENTS

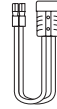
<b>1.</b>	Product Overview	<b>3</b>
<b>2.</b>	Button Functions	<b>4</b>
<b>3.</b>	LCD Features	<b>5</b>
<b>4.</b>	Fault Resolution	<b>6</b>
<b>5.</b>	PS3600 PRO Connection	<b>7</b>
<b>6.</b>	Solar Panel Charging	<b>8</b>
<b>7.</b>	Car/Vehicle Charging	<b>9</b>
<b>8.</b>	General Specifications	<b>10</b>
<b>9.</b>	Battery Specifications	<b>10</b>
<b>10.</b>	Safety Precautions	<b>11</b>
<b>11.</b>	Contact Us	<b>Back page</b>

# PRODUCT OVERVIEW

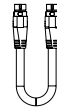


- ① MAIN POWER/USB CONTROL
- ② XT-60 INPUT PORT
- ③ PARALLEL PORT
- ④ LCD DISPLAY
- ⑤ USB OUTPUTS

## Accessory List



XT60 to 50A Anderson



Parallel Cable



Car Charger



User Manual



Cable Storage Bag

# BUTTON FUNCTIONS

## POWER/USB CONTROL BUTTON:

This is the master power button, a long press to turn on and a long press to turn off the unit (hold the button until the screen turns on/off). When not in use, please turn the unit off.

It serves as the on/off button for the USB ports as well. A quick press to turn them on and a quick press to turn them off.

## LCD DISPLAY:

Informative LCD display presents the remaining power and usage data. The LCD display will enter sleep mode after 30 seconds of inactivity and wake up when inputting charge or when any button is pressed. The device will remain active and won't enter sleep mode if it is either charging or discharging.

## PARALLEL PORT:

Capacity expansion is accomplished by linking the parallel cable to the PS3600 PRO and EB3840. This interface has the capacity to reach a maximum input and output of 4000W. For guidance on parallel connections, please refer to the illustration on page 7.

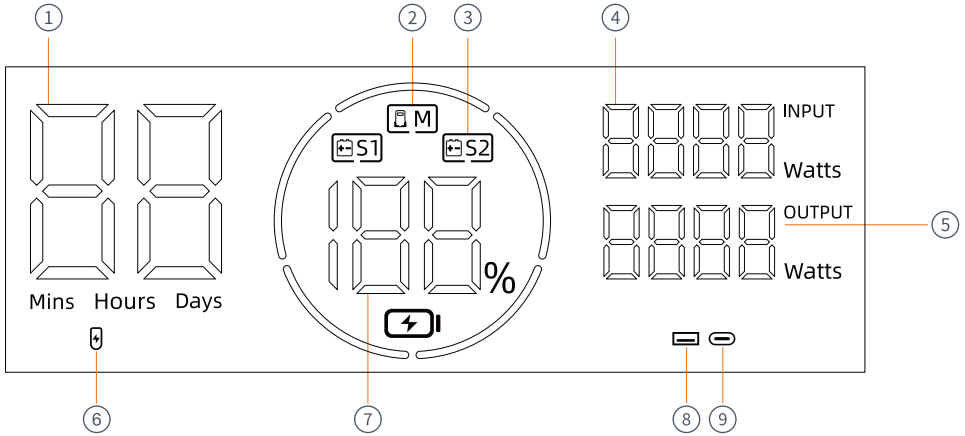
## XT60 PORT (SOLAR/CAR INPUT):

Use the included XT60 to 50A Anderson adapter to connect your solar panel. The maximum input of the solar panel is 200W and the maximum voltage is 50V (do not exceed 50V).

## WARNING:


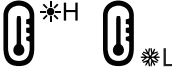

The XT60 port is an INPUT ONLY port.

## LCD FEATURES:

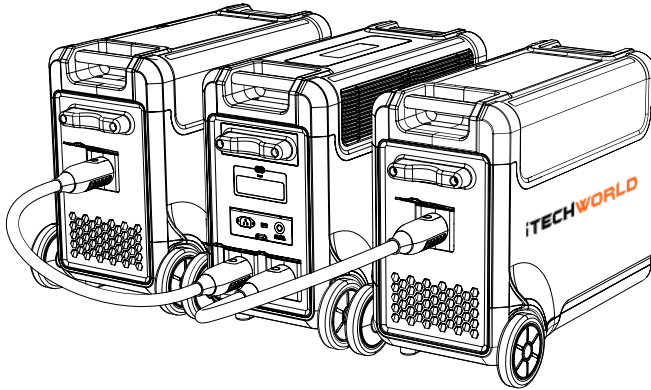


- |                                    |                                  |
|------------------------------------|----------------------------------|
| <b>1</b> REMAINING DISCHARGE TIME  | <b>6</b> XT60 INPUT STATUS       |
| <b>2</b> EXPANSION BATTERY STATUS  | <b>7</b> BATTERY LEVEL INDICATOR |
| <b>3</b> PARALLEL OPERATION STATUS | <b>8</b> USB OUTPUT STATUS       |
| <b>4</b> TOTAL INPUT POWER         | <b>9</b> USB-C OUTPUT STATUS     |
| <b>5</b> TOTAL OUTPUT POWER        |                                  |

# FAULT RESOLUTION

Status	Explanation	Resolution
 <p data-bbox="98 451 281 499">Above icon flashes and buzzes</p>	<p data-bbox="331 405 527 483">The output exceeds the standard and it's short-circuited.</p>	<p data-bbox="557 392 947 416">1 - Begin by removing the output device.</p> <p data-bbox="557 448 1023 496">2 - To deactivate the alarm, give the power/USB button a quick press</p>
 <p data-bbox="87 719 292 794">The temperature warning icon flashes and buzzes</p>	<p data-bbox="339 663 516 767">This product has surpassed the recommended temperature limit.</p>	<p data-bbox="557 663 1016 767">Remove all loads, disconnect the power source from this product, and wait for the unit to cool down to an appropriate temperature before proceeding (between -10°C~40°C).</p>
 <p data-bbox="87 932 288 956">Charging unavailable</p>	<p data-bbox="333 852 527 987">Parallel connection failure, there is a disruption between the EB3840 and PS3600 PRO.</p>	<p data-bbox="557 839 927 887">1 - Begin by disconnecting the parallel connection</p> <p data-bbox="557 919 1016 999">2 - Charge the unit with low battery capacity or discharge the unit with high battery capacity until the battery level drops below 80%</p>

## PS3600 PRO CONNECTION:



You can connect a maximum of 2 x EB3840s to a PS3600 PRO (sold separately), with a maximum capacity of 11,520Wh, using parallel cables. Ensure that both the PS3600 PRO and EB3840's are powered off before making the connection. Once the connection is complete, you will see "S1" and "S2" displayed on the screen

After successful parallel connection, the EB3840 can commence charging or discharging. Keep in mind, the EB3840 will charge at a slower rate when it's almost full and will release power faster when used. If there's no incoming charge, the unit with a higher state of charge will charge the unit with a lower state of charge. The display will show the current power status.

Make sure not to connect or disconnect the parallel cable while the products are operational. Only connect or disconnect the cable when the products are powered off to avoid any potential electrical hazards or malfunctions.

### **WARNING:**

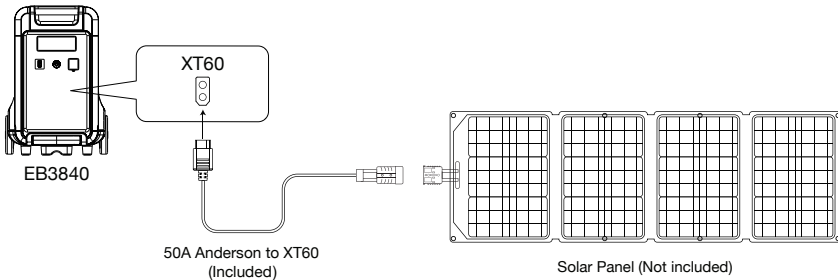
Do not connect or disconnect the EB3840 to a PS3600 PRO whilst switched ON.

## SOLAR PANEL CHARGING:

1. Do not charge the EB3840 via a solar panel that has a voltage exceeding 50V
2. Supports 200W max solar input (solar panels not included), the charging time depends on the solar panel input.
3. To ensure proper operation, please verify that there is no regulator in the line. You will need to input unregulated solar power into the EB3840 as it already contains a built-in regulator.

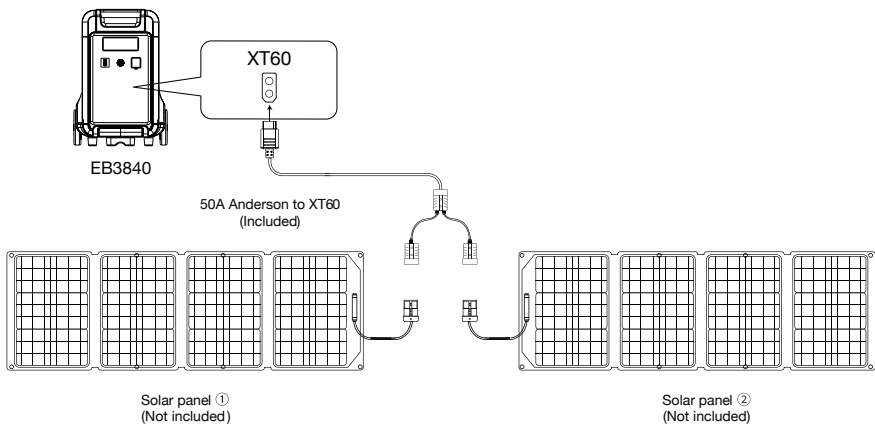
### Connecting Pattern ①

#### THE AREA OF CHARGING



### Connecting Pattern ②

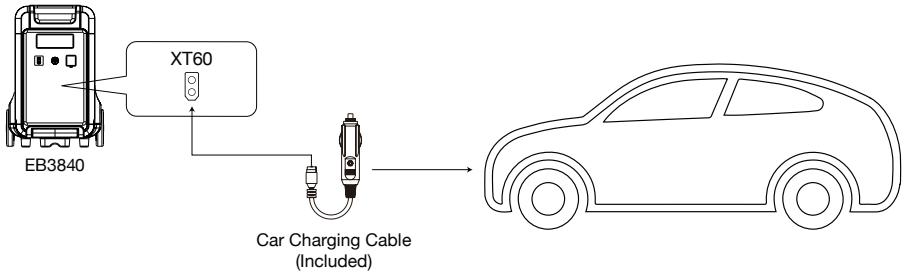
#### THE AREA OF CHARGING





## CAR/VEHICLE CHARGING

It's important to use the car charger that was provided with the unit for car charging. Car chargers usually provide lower power outputs, typically around 90-120 watts. As a result, charging times may be extended. If you require a quicker charge, it is recommended to connect the parallel cable to a PS3600 PRO, ensuring the PS3600 PRO is connected to power. You will be able to charge the unit from 0-100% in 3 hours using this method.



## GENERAL SPECIFICATIONS

Model name	EB3840
Dimensions	550*321*464mm
Weight	36.5Kg
Capacity	3840Wh
Max parallel capacity	11520Wh
XT60 input	11.5-50V 200W max
USB QC3.0	18W
USB-C	100W
Car charging output	12V/10A
Power Off current	<500uA
Operating temperature	-10~40°C
Environment humidity	≤90%RH
Cycle life	>3500 times

## BATTERY SPECIFICATIONS

Battery type	LiFePO4
Single cell rated voltage	3.2V
Single cell rated capacity	20Ah
Battery pack rated voltage	48V
Battery pack output voltage	40V-54V
Battery pack rated capacity	3840Wh

# SAFETY PRECAUTIONS

For safe operation and optimal performance, the EB3840 Expansion Battery must be operated correctly. Please carefully read, understand, and follow all instructions and guidelines in this user guide. Failure to follow these instructions may result in damage to the unit, property, death, or serious injury.

**Disclaimer:** While iTechworld has taken every precaution to ensure the accuracy of the contents of this user guide, iTechworld assumes no responsibility for any errors or omissions.

**Furthermore, all specifications and functionality may change at any time without notice.**

It is best to view our website for the most up-to date information

## **WARNING:**

People with physical disabilities, visual, sensory, or mental impairments (including children) should not use this device. Children should be supervised to ensure they do not play with the expansion battery.

## **DANGER:**

Do not disassemble or modify the expansion battery; doing so will result in your warranty being void, it may result in a risk of electrical shock, fire, death, or serious injury.

## **EXPLOSION HAZARD:**

Do not use the expansion battery in an environment where flammable fumes or gases are present (such as gas bottles, petrol engines, or lead-acid battery compartments).

## **WARNING:**

Avoid using the expansion battery in extreme temperatures, high humidity, direct sunlight, and near fire.

## **WARNING:**

Please use the wires recommended in this user guide; otherwise, it may result in damage to the expansion battery, a risk of electrical shock, fire, death, or serious injury.

**WARNING:**

Do not drop the expansion battery.

**WARNING:**

When not using the expansion battery, turn off the power and unplug the power cord.

**WARNING:**

Do not use the expansion battery and its accessories to connect equipment if there is a defect.

**DANGER:**

Never smoke or allow a spark or flame in the vicinity of the expansion battery. This may cause the battery to explode.

**LIMITATIONS OF USE:**

Do not use in connection with life support systems or other medical equipment or devices.

**LONG TERM STORAGE:**

For long-term storage, discharge the power from full to empty once every three months, and then recharge it to 75%. Ensure the power is turned off completely.

# iTECHWORLD

THE POWER EXPERT

## CONTACT US



1300 483 249



[service@itechworld.com.au](mailto:service@itechworld.com.au)



[www.itechworld.com.au](http://www.itechworld.com.au)

When it comes to energy storage and creation at iTechworld, we take pride in being one of the biggest names in the industry. Based in Australia, we are a family-owned and operated business. With many more innovative products on the horizon we are committed to constantly raising the bar to provide bigger and better benefits to all our customers Australia-wide.

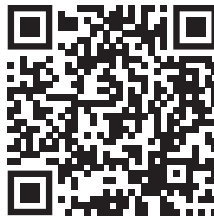
Whether you're an avid camper, 4WD enthusiast, freedom seeker or camper, we've got your power needs covered. Escape the grid without compromise, minimise your downtime and travel with comfort with our large range of leading products at great prices.

**iTechworld. The Power Expert.**

## LOVE YOUR EB3840? LEAVE A REVIEW



**Google**  
Reviews ★★★★★



**PRODUCT**  
**REVIEW**  
.COM.AU