

TOTAL

One-Stop Tools Station

TOTAL

PLASTIC TUBE WELDING TOOL

TT328151, TT328151-8



CE



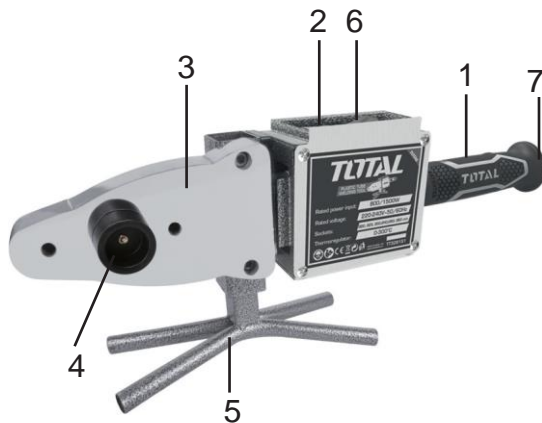
800/1500W

INSTRUCTIONS

The machine is used for the connecting of plastic pipe, such as PP-R and PE. We have the following matrixs(Ø20mm, Ø25mm,Ø32mm,Ø40mm,Ø50mm,Ø63mm). The machine controls temperature exactly, easy and safe to use.

I Product structure

1. Handle
2. Indicator
3. Heating board
4. Matrix
5. Supporting board
6. Switch
7. Cable



II Technological data

Surface temperature of matrix: 0°C---300°C

Temperature rising time: <15min

Rated power input: 800W±10% 1500W±10%

Rated voltage: 220V-240V

Frequency: 50/60Hz

Using

1. Place the machine on the supporting board well. Install corresponding matrixes according to specifications needed. Tight matrixes with wrench, smaller sizes in front generally.
2. Turn on power. (Caution:power supply must be earthed). Green indicator shows the machine is heating;red indicator shows the machine has stopped heating and it is time for work.
3. Cut the pipe. Push the pipe or fitting into matrix for some time(see the table),pull them out rapidly and then insert,not screw to the depth needed steadily.

Specification (mm)	Heating time (s)	Melting depth (mm)	Cooling time (min)
20	5	14	3
25	7	16	3
32	8	20	4
40	12	21	4
50	18	22.5	5
63	24	24	6

Note: If it is under 5°C,50% more heating time is needed.

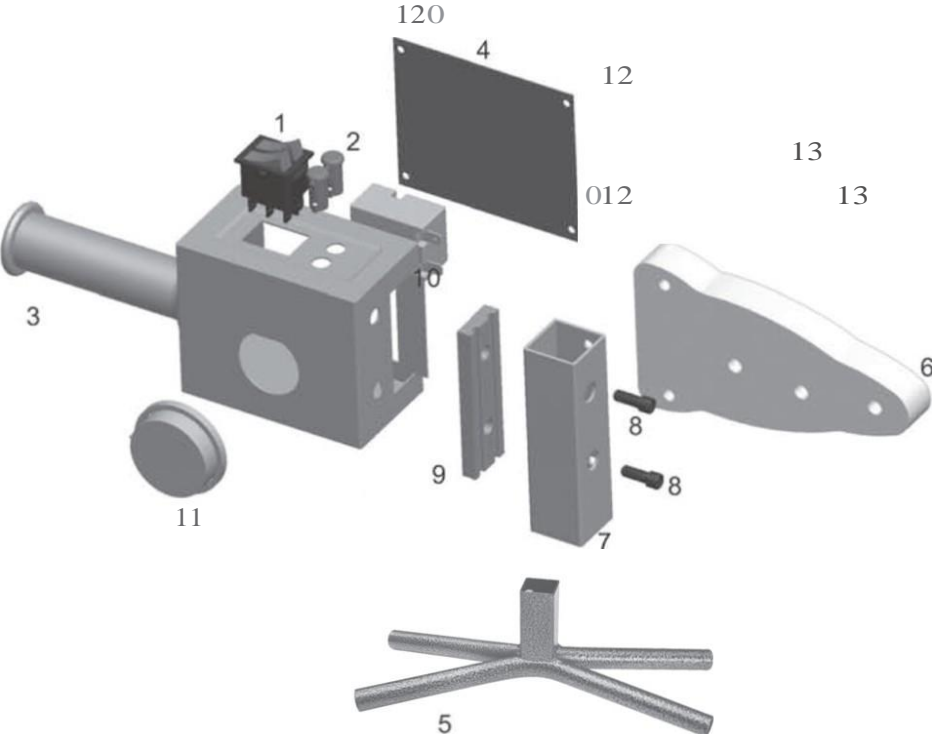
Caution

1. Please check the outer cover and cables of the machine first
Don't use it if it is damaged.
2. The power supply must be earthed.
3. Water & various kinds of liquid is prevented from entering
the machine. It is prohibited to use outside on rainy days.
4. Keep tinder far away.
5. Operators are strongly suggested to wear gloves when working.
6. For the safety and good performance of the device, only
professionals are allowed to open the machine or adjust
temperature.
7. If indicators don't change for long. it means the device is in
innormal working state. Stop your work and turn off the
power immediately.
8. Turn the machine to manufacturer of professionals for repair
when it is out of work.

TT328151,TT328151-8 Spare part list

No.	Part Name	Qty
1	Power switch	1
2	Indicator	1
3	Handle	1
4	Cover	1
5	Support	1
6	Heating board	1
7	Connecting rod	1
8	Fixed screw	2
9	Insulation board	1
10	Adjust switch	1
11	Adjustment switch knob	1
12	Nails	4
13	Fixed screw	2

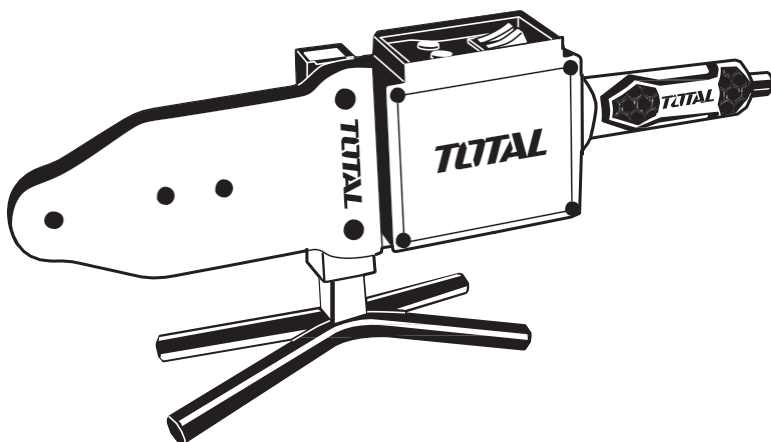
TT32815 TT328151-8 Exploding view



TOTAL

One-Stop Tools Station

TOTAL



PLASTIC TUBE WELDING TOOL

www.totaltools.cn TOTAL
TOOLS CO., LIMITED MADE
IN CHINA T1016.V05

800/1500W