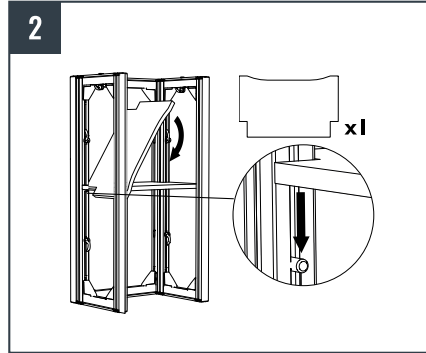
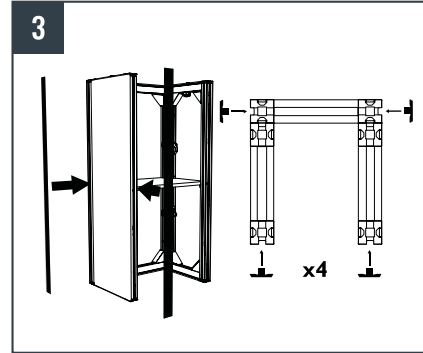




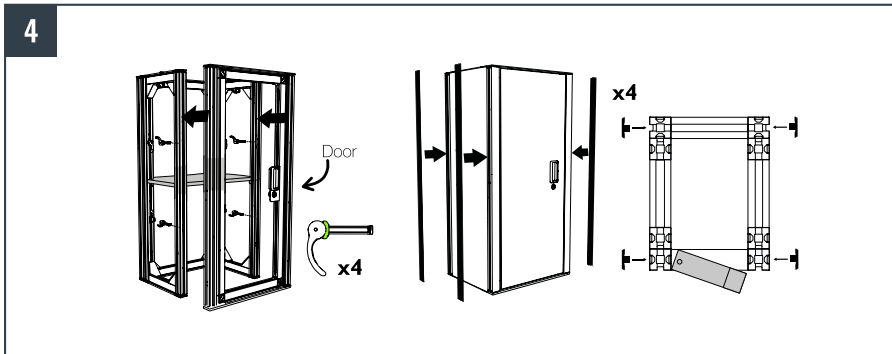
Connect at an angle



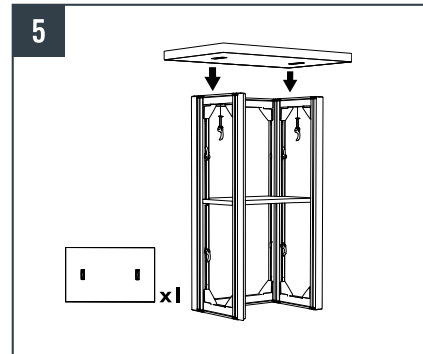
Position shelf



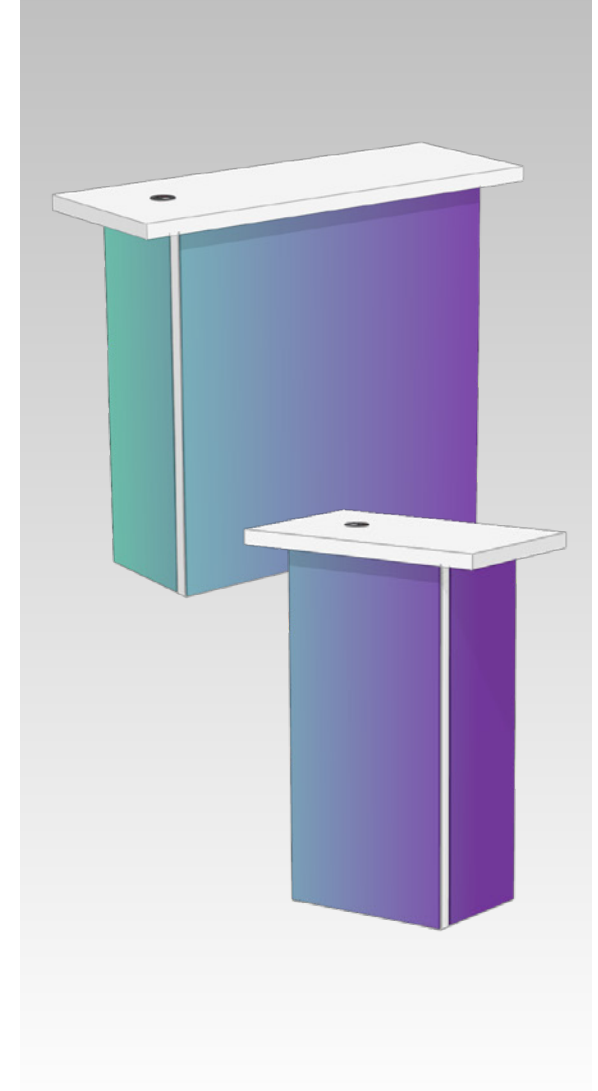
Snap profile covers into place

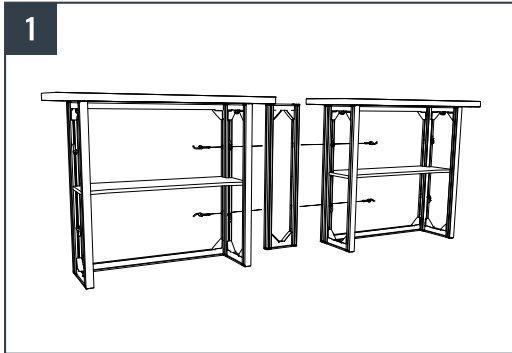


WITH DOOR
Attach door then snap profile covers into place

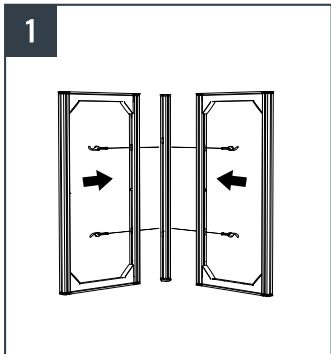


Place countertop

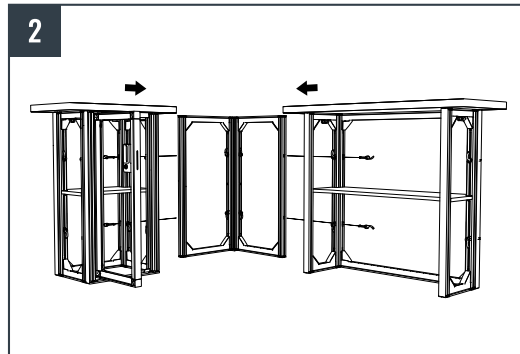




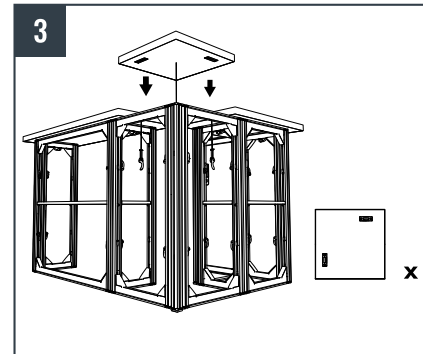
1
Connect the two counters to the connection module



1
Connect at an angle

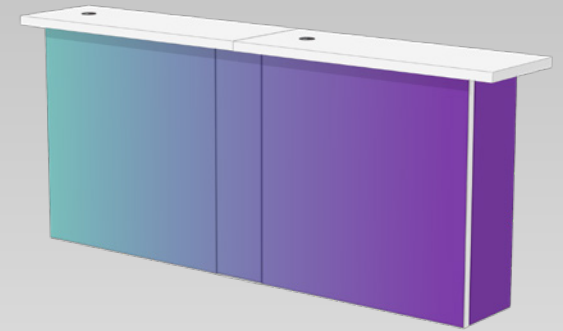


2
Connect the counters



3
Place countertop

Straight Connection Module



Corner Connection Module

