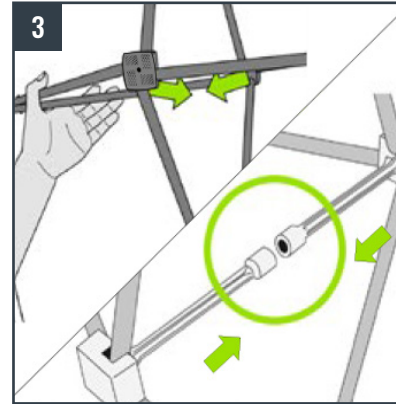


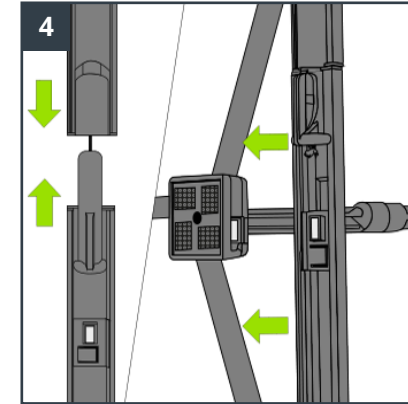
Gently expand the frame.



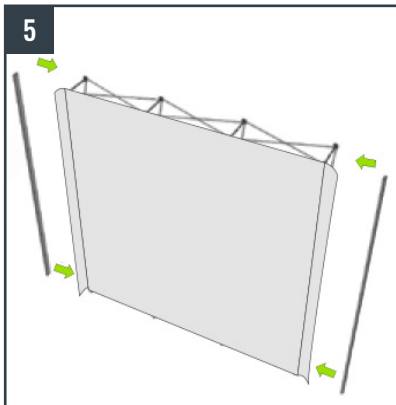
Expand the structure while bending it slightly backwards.



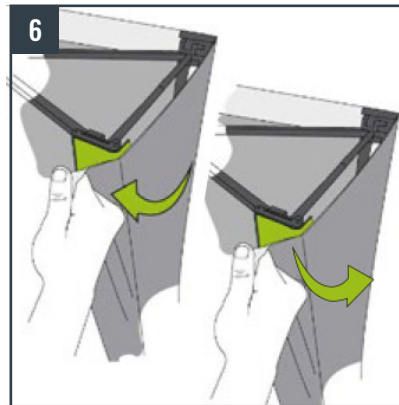
Pull the structure together at the cross-bars. The magnetic connectors will lock the frame into place.



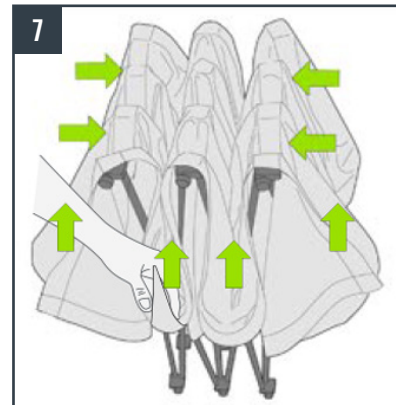
Assemble the magnetic bars and align them with the magnetics in the hubs.



Install the bars vertically on the sides of the front hubs.



Attach the graphic to the rear. Ensure that you have detached it at the back and removed the bars before folding up the frame.



Separate the magnetic connectors and fold up the frame. Be sure to raise the graphic while folding so as to not pinch it within the frame.

