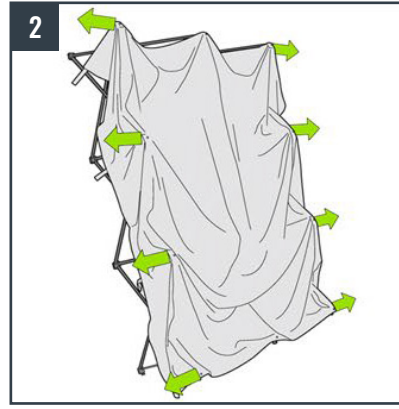
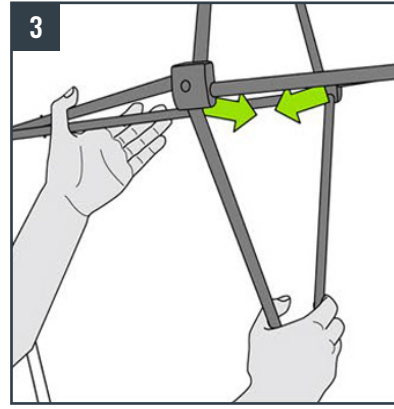


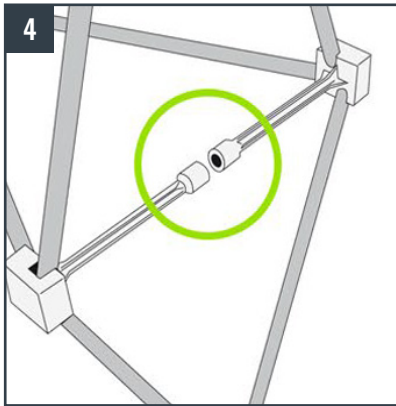
Gently expand the frame.



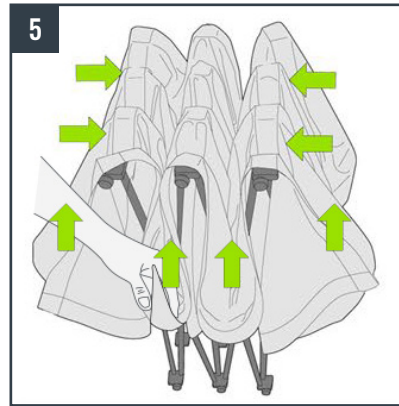
Expand the structure while bending it slightly backwards.



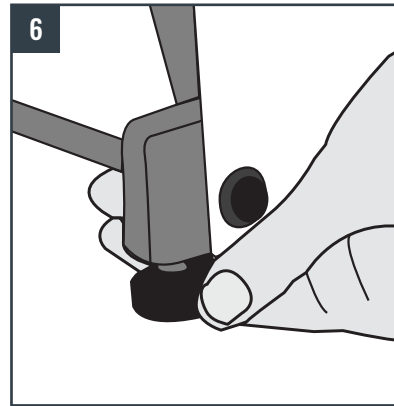
Pull the structure together at the cross braces.



The powerful magnetic connectors allow the structure to automatically close in a few seconds.



Disconnect the magnetic connectors and then dismantle the structure with the graphic(s) attached.



Attach graphics by fitting button holes over pins. Loop rubber rings over buttons to secure graphics in place.

