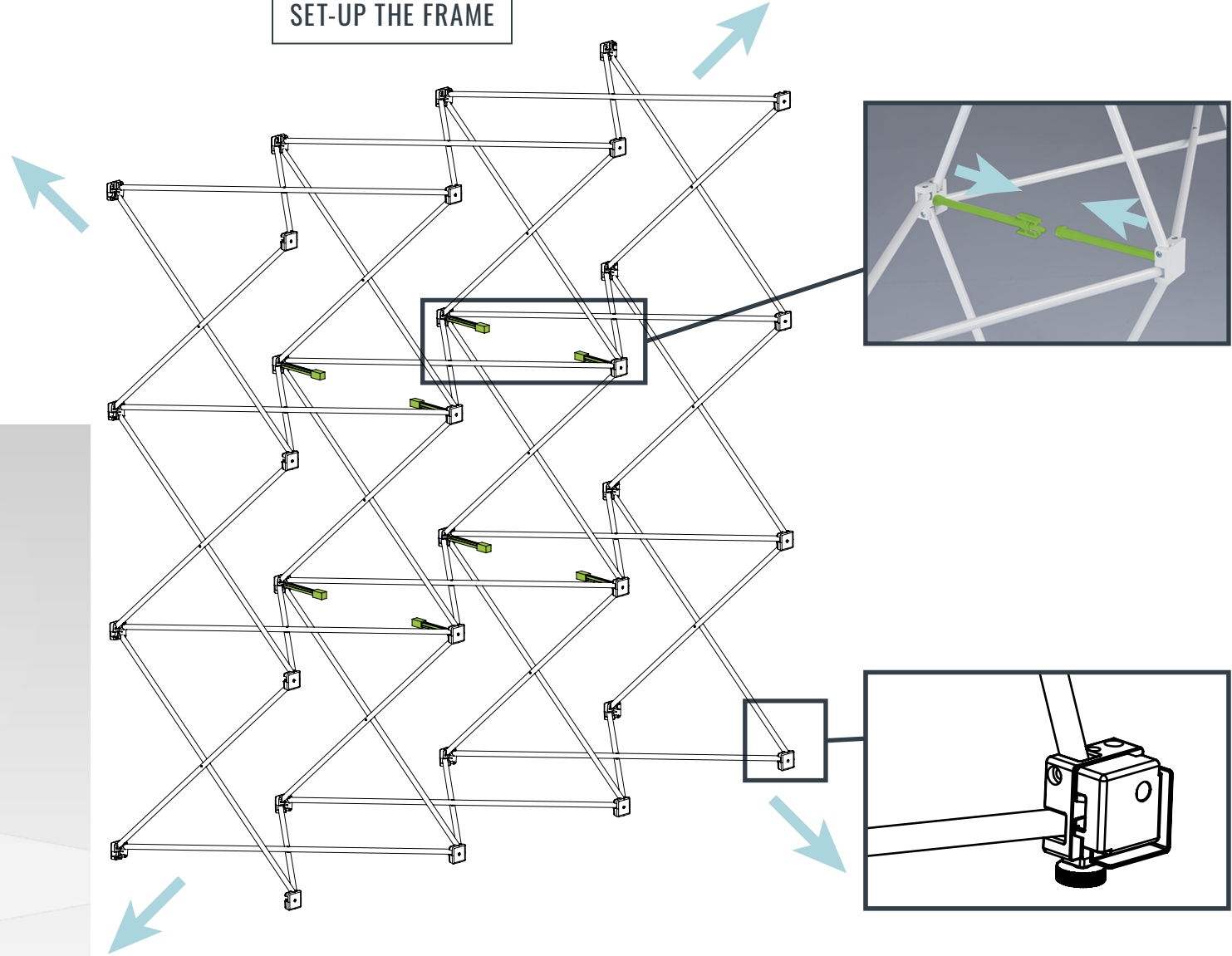


1

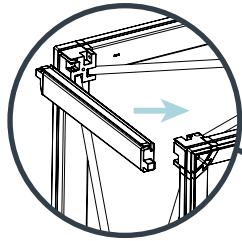


SET-UP THE FRAME

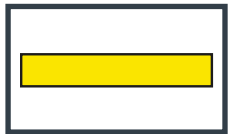
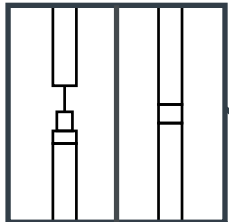


2

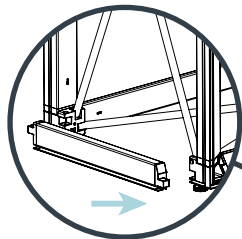
INSTALL THE CHANNEL BARS



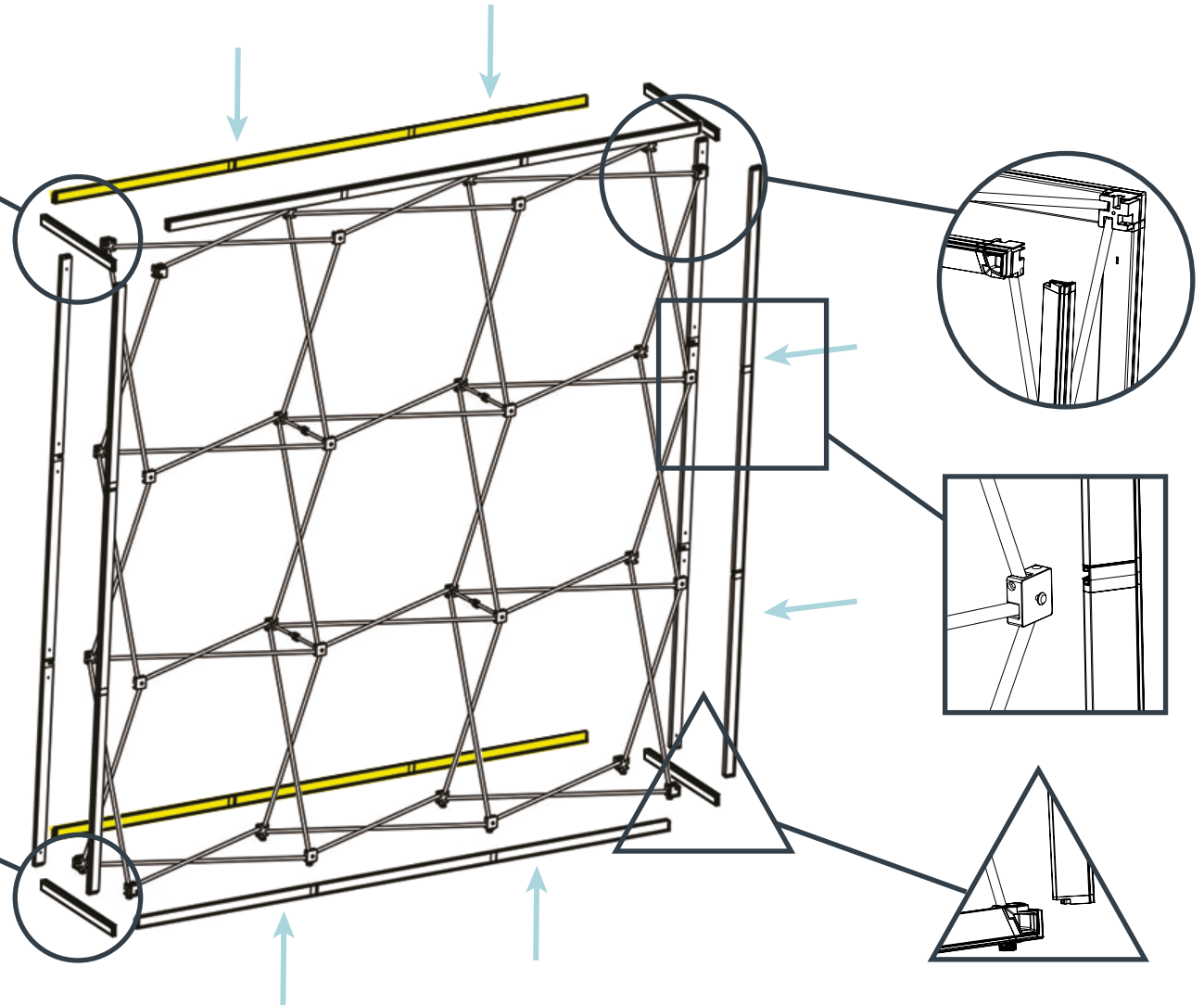
groove towards the top



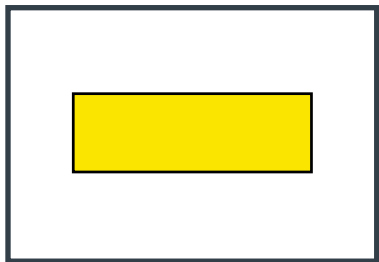
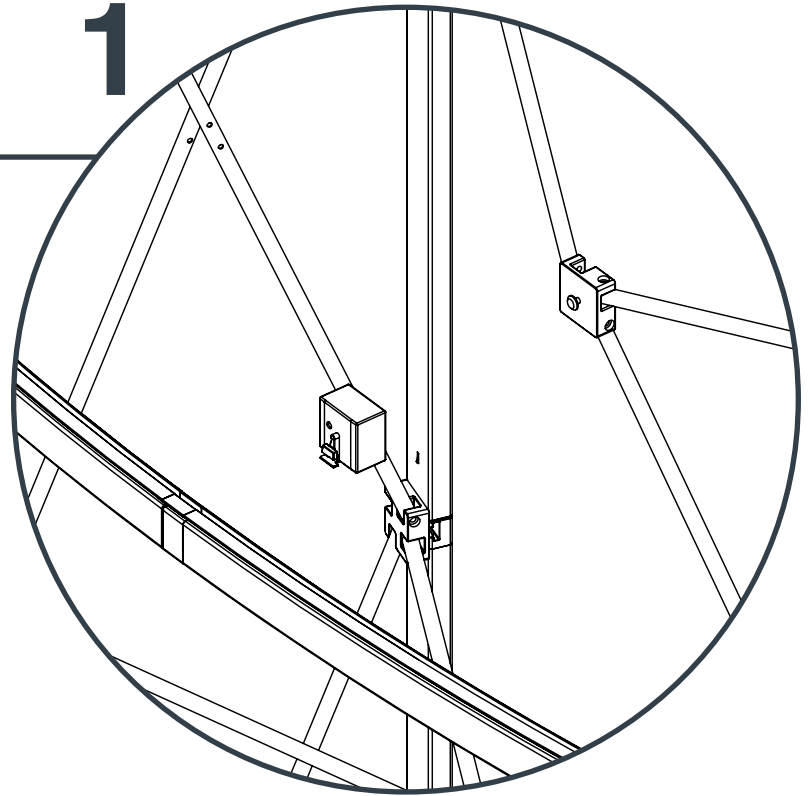
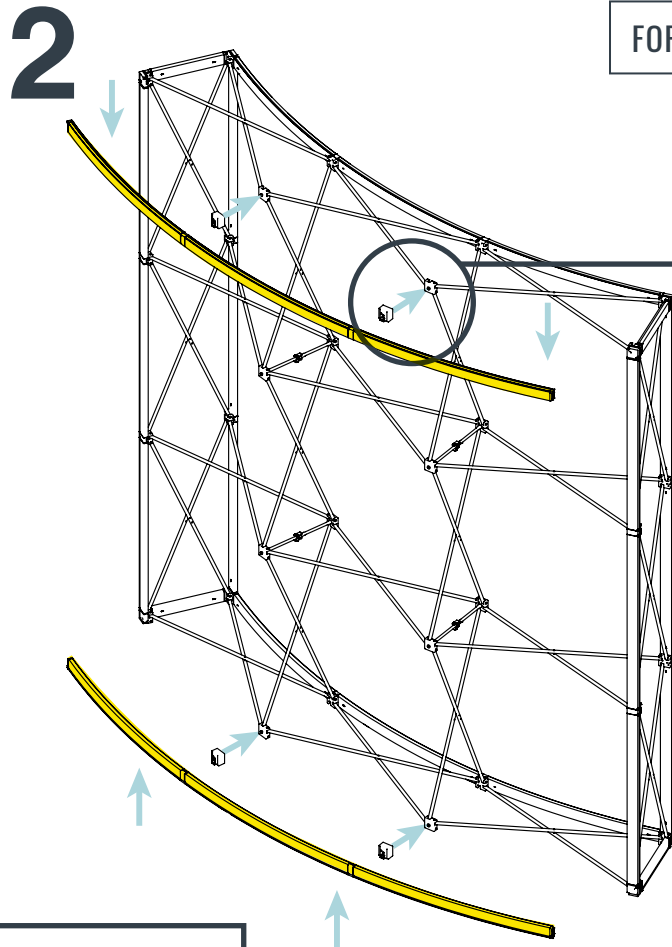
NOTE: The back horizontal channel bars are included with the backlit xperience frames. However, they must be ordered separately for double-sided straight or curved Xperience frames



groove towards the floor



FOR DOUBLE-SIDED CURVED FRAMES



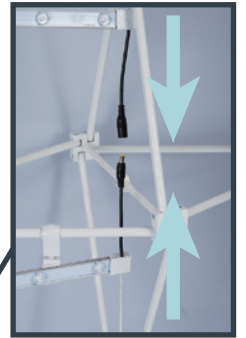
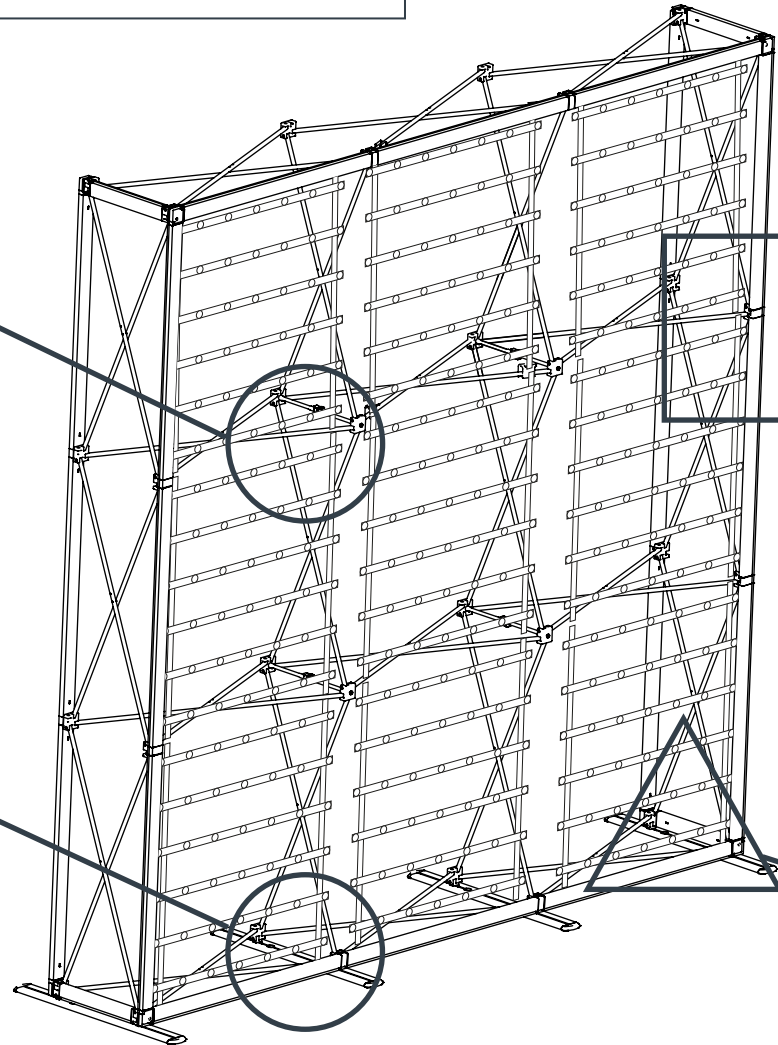
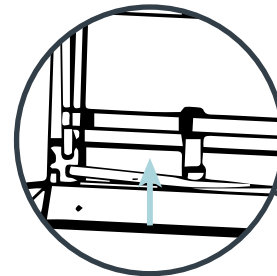
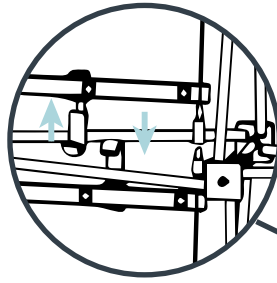
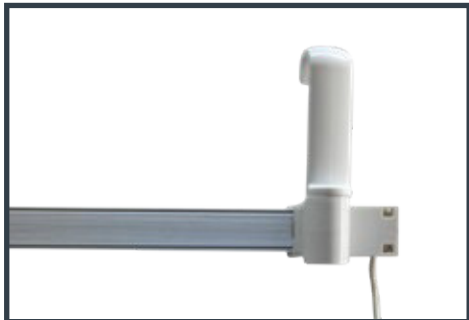
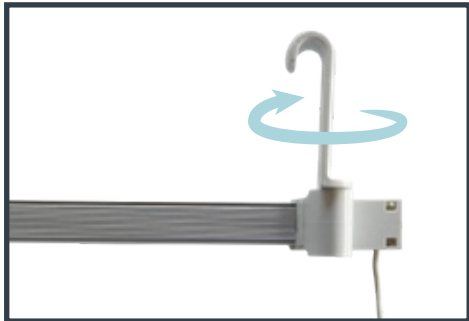
IMPORTANT:

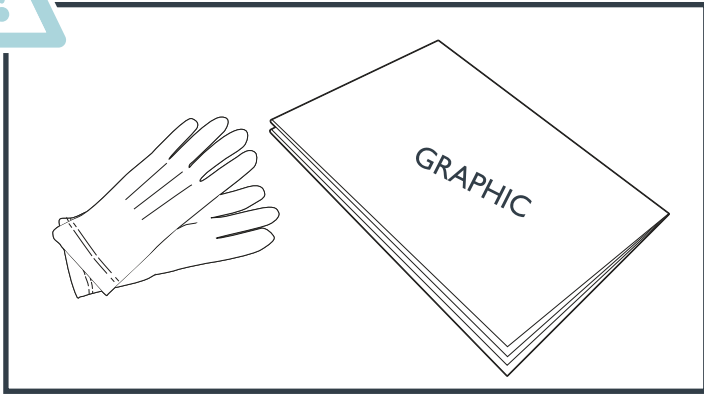
The top and bottom back horizontal channel bars and ACP040 raising blocks must be ordered separately.

The ACP040 raising blocks push the channel bars away from the structure for a better result when adding a back graphic to a double-sided curved frame. Raising blocks are to be installed between the structure and the channel bars.

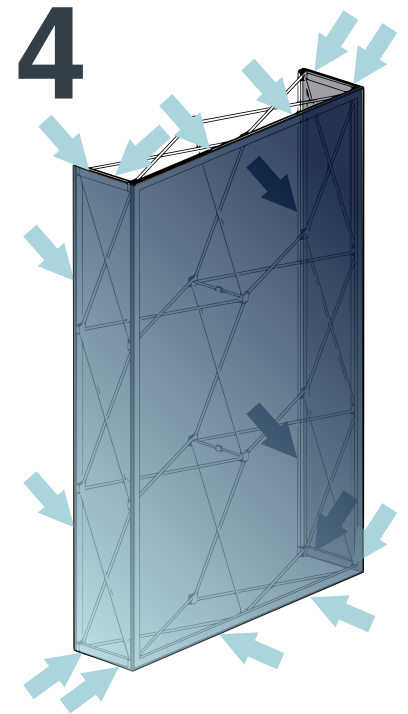
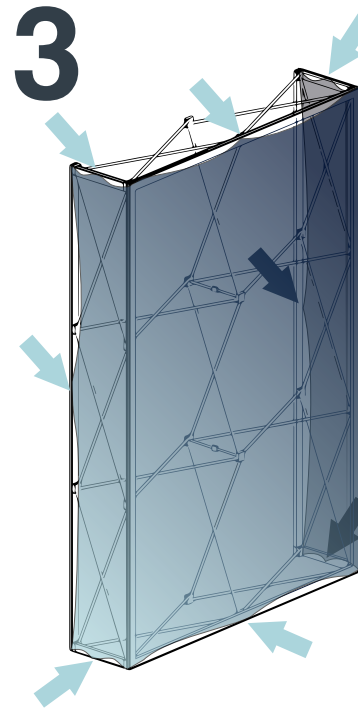
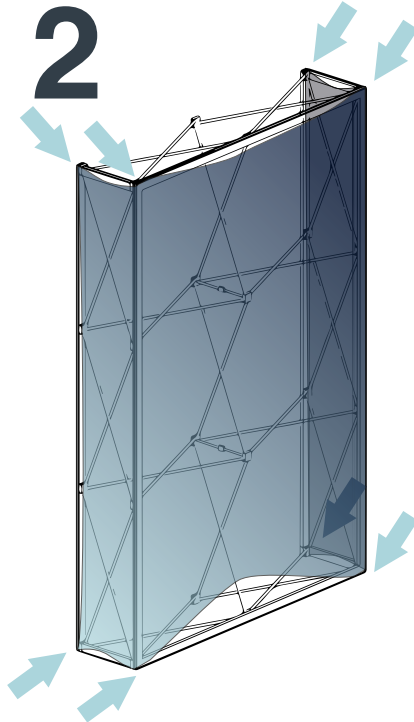
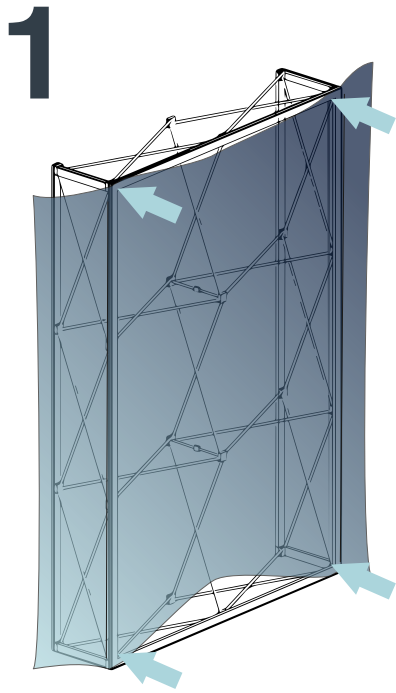
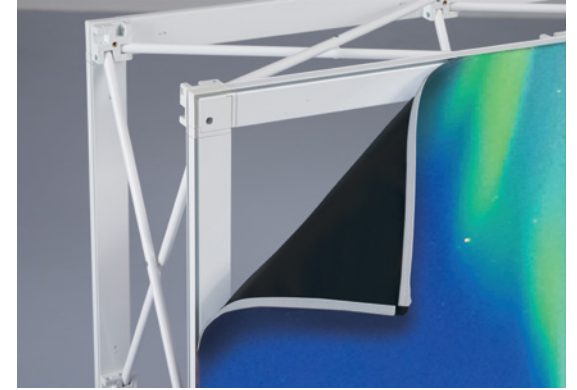
Order (4) ACP040 blocks for the Xperience 8' x 8' curved frame and (6) ACP040 blocks for the Xperience 10' x 8' curved frame.

INSTALLING THE LED LIGHT CURTAINS



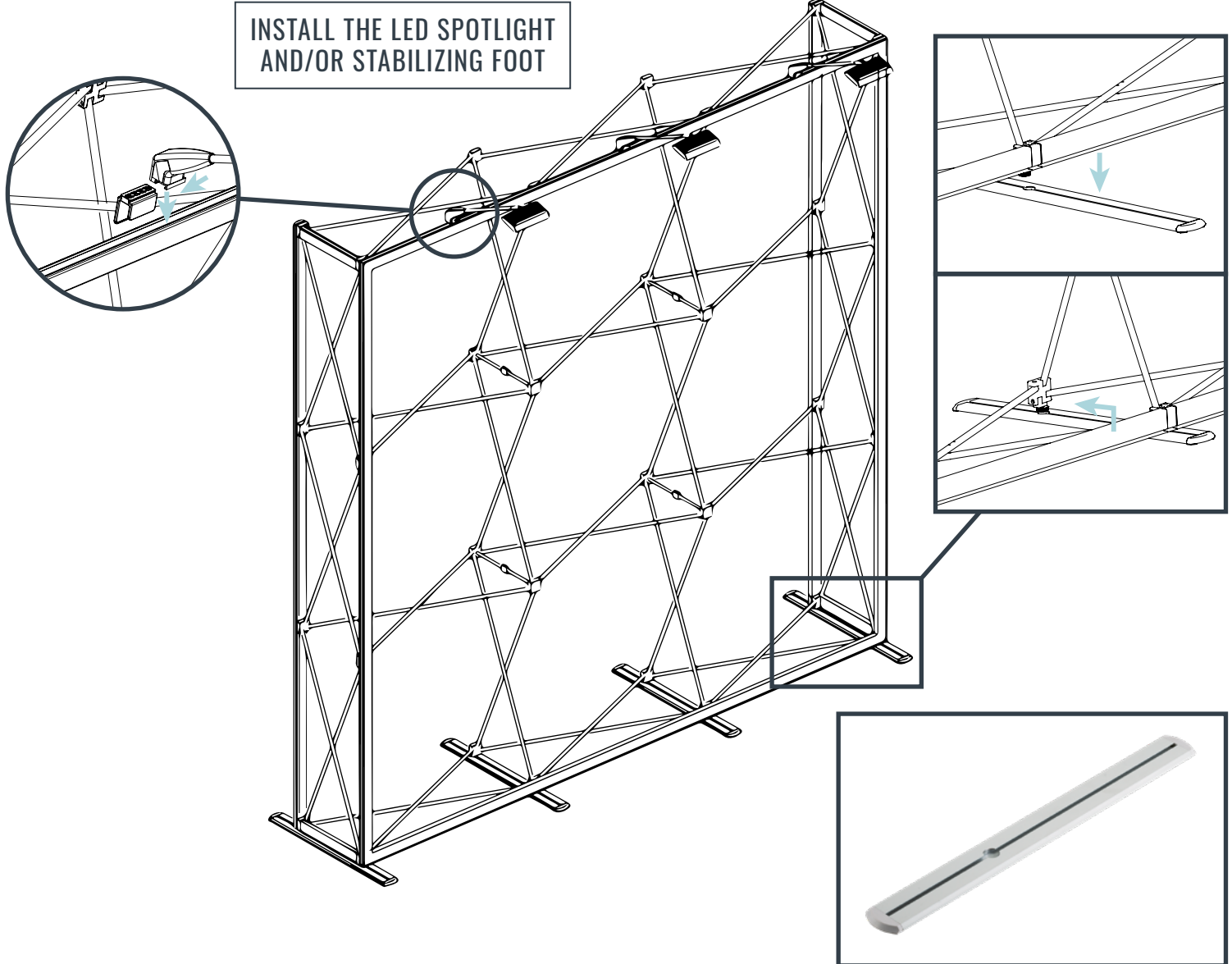


INSTALLING THE GRAPHIC

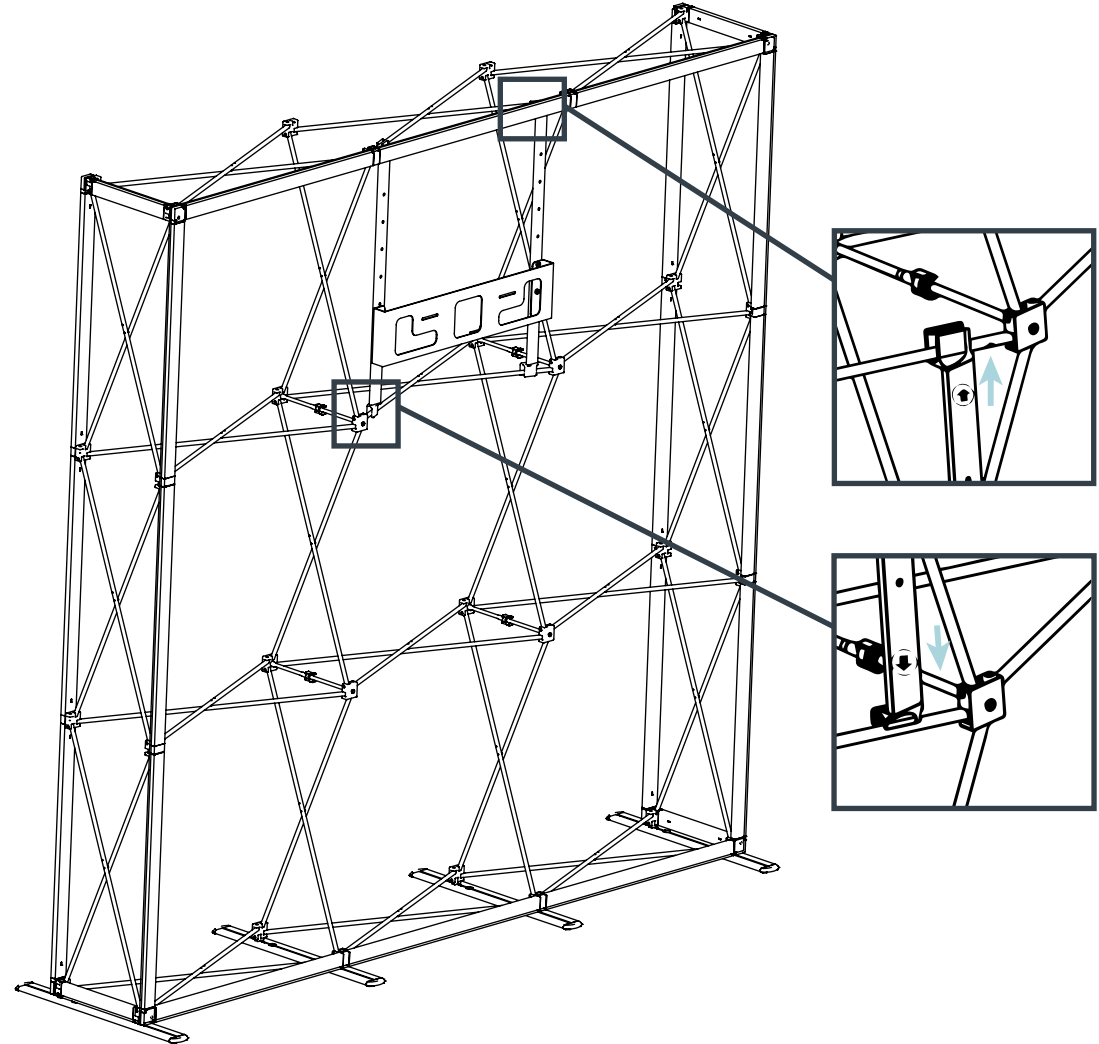
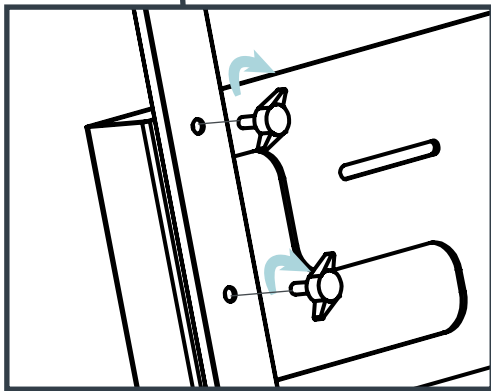
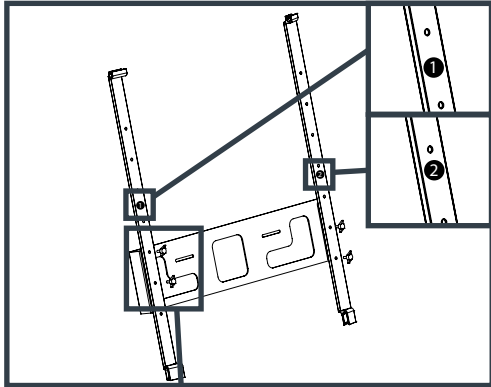
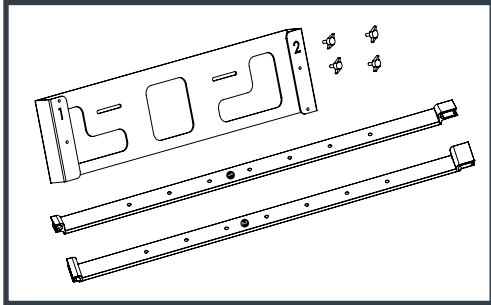




INSTALL THE LED SPOTLIGHT
AND/OR STABILIZING FOOT



INSTALLING THE MONITOR HOLDER KIT



SET-UP THE COUNTER (BACK VIEW)

