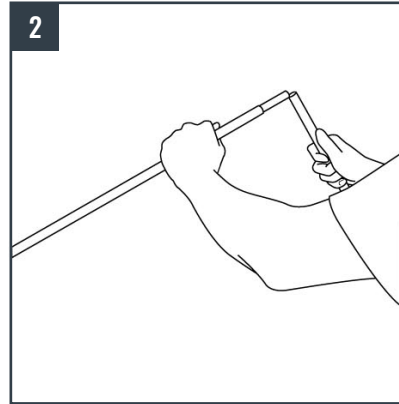


SET-UP INSTRUCTIONS

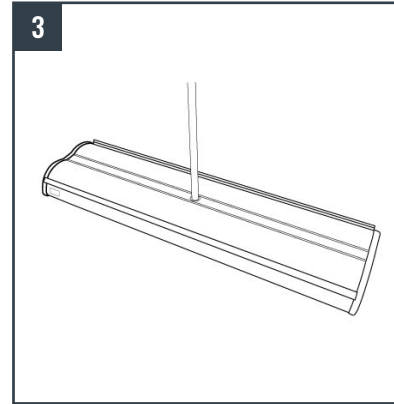
SUPREME.2



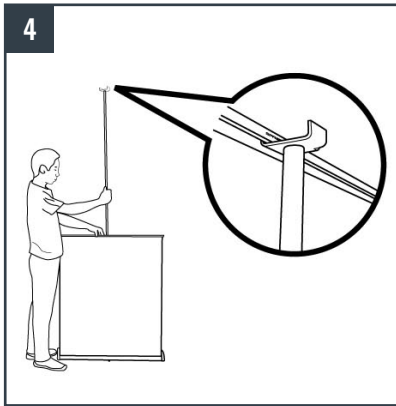
CONTENTS:
x1 Retractable banner stand + x1
Telescopic pole + x1 Transport bag



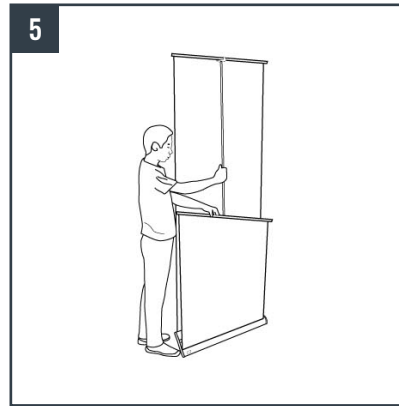
Unfold the 3-piece pole.



Insert the pole into the hole in the base.



Pull up one graphic and insert the end clip of the pole into the profile.

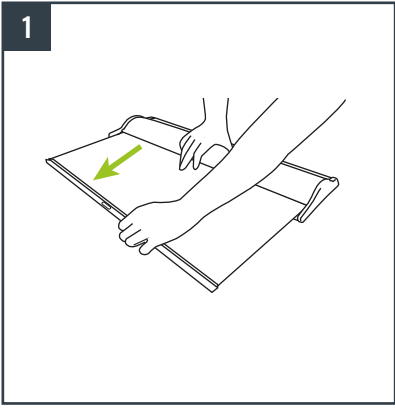


Pull up the second graphic and insert the end clip of the pole into the profile.

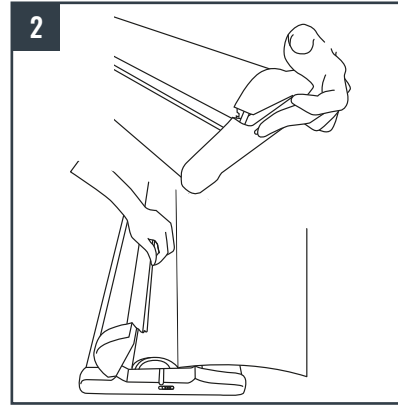


Set-up is complete.

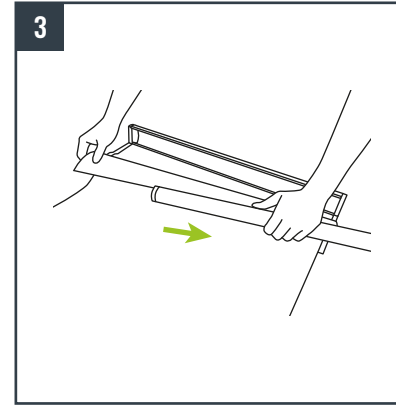




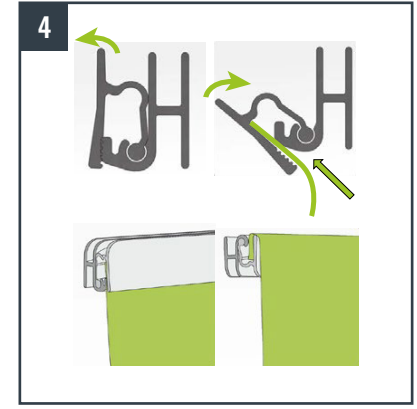
1 Pull the graphic and block it with the locking pin.



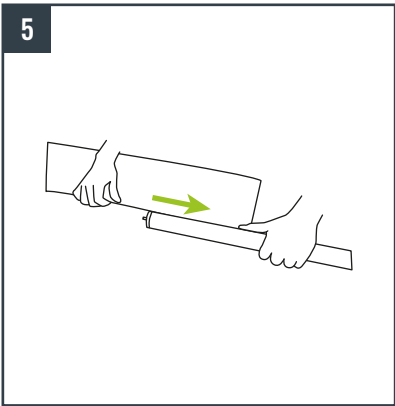
2 Press the buttons on either end of the base to open the cover and remove the roller.



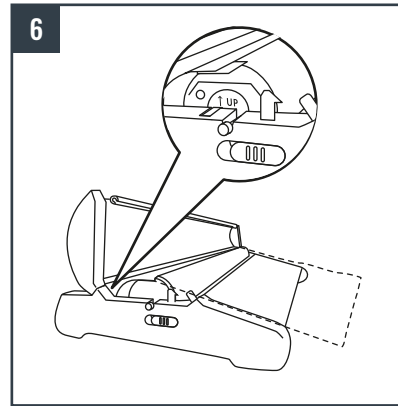
3 Unroll the remainder of the graphic, unclip the internal roller and remove the graphic.



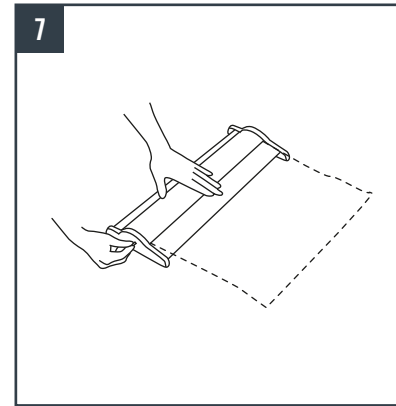
4 Slide the graphic into the top aluminum profile.



5 Insert the bottom of the graphic into the slot on the roller and clip it shut.



6 Return the internal roller to the base unit with the arrow pointing up. Close the base.



7 While holding the graphic outside the base unit, remove the locking pin and slowly let the graphic retract into the base unit.

