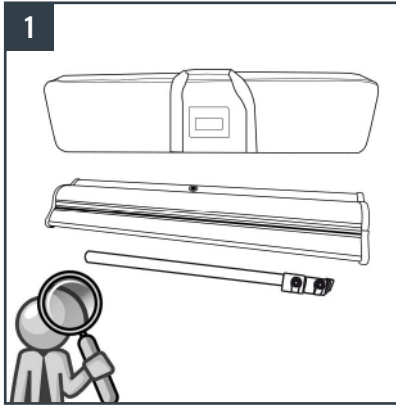


# SET-UP INSTRUCTIONS

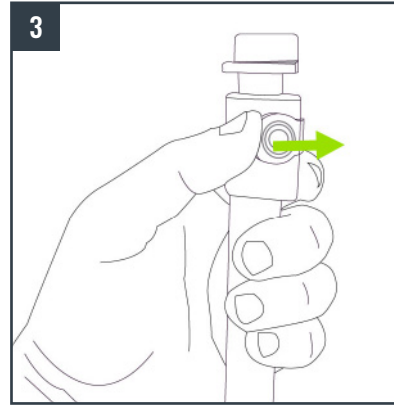
# SUPREME



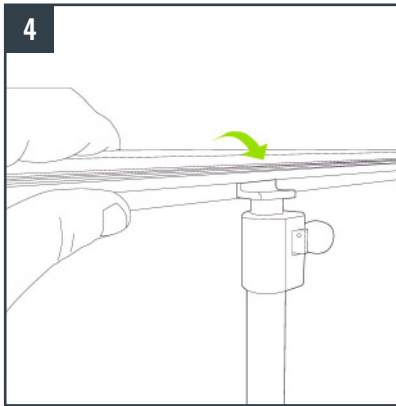
**CONTENTS:**  
x1 Retractable banner stand + x1  
Telescopic pole + x1 Transport bag



Insert the pole into the base.



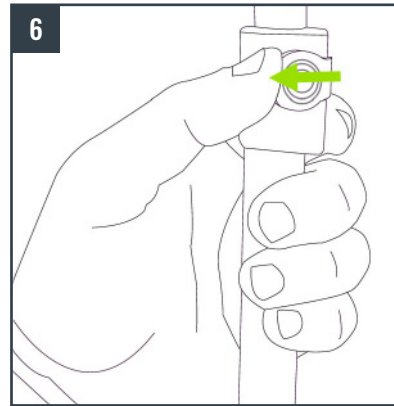
Open the locking clamp on the top of  
the telescopic pole.



Insert the graphic top bar into the  
centre of the pole's head.

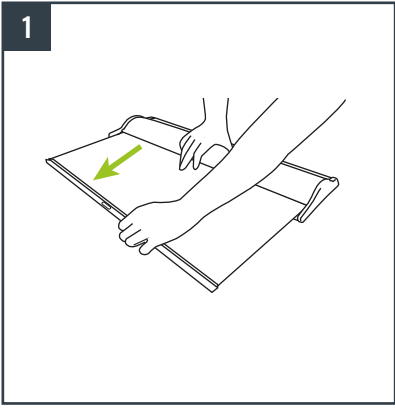


Adjust the height of the telescopic  
pole according to the length of the  
graphic.

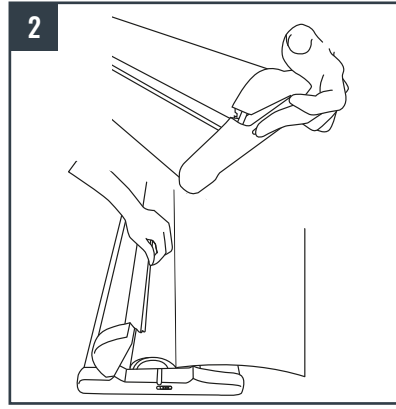


Close the locking clamp of the  
telescopic pole.

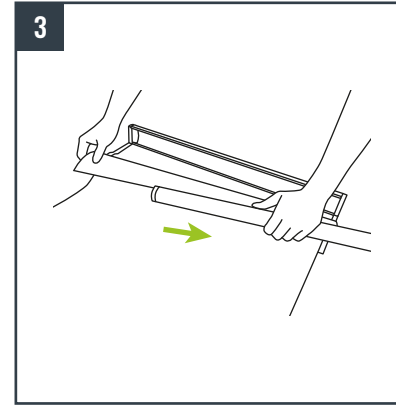




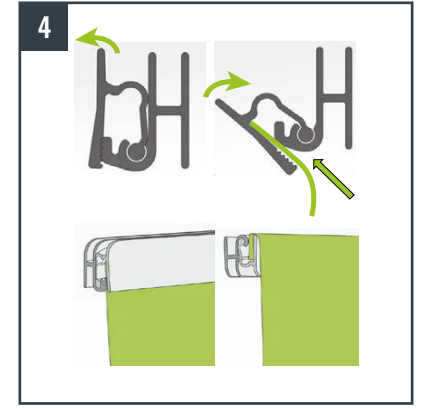
1 Pull the graphic and block it with the locking pin.



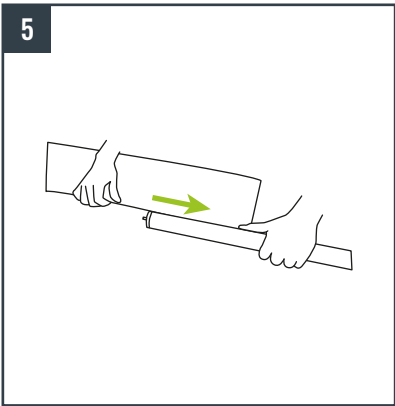
2 Press the buttons on either end of the base to open the cover and remove the roller.



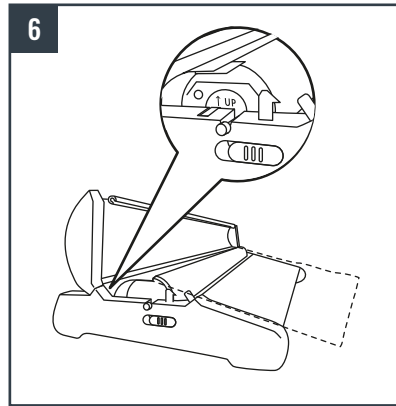
3 Unroll the remainder of the graphic, unclip the internal roller and remove the graphic.



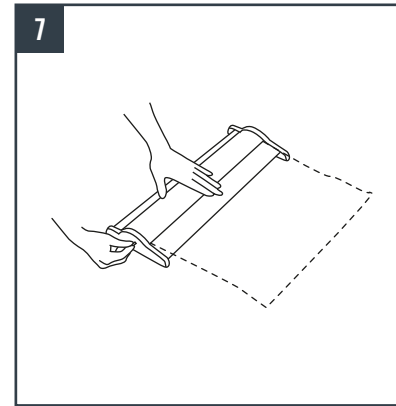
4 Slide the graphic into the top aluminum profile.



5 Insert the bottom of the graphic into the slot on the roller and clip it shut.



6 Return the internal roller to the base unit with the arrow pointing up. Close the base.



7 While holding the graphic outside the base unit, remove the locking pin and slowly let the graphic retract into the base unit.

