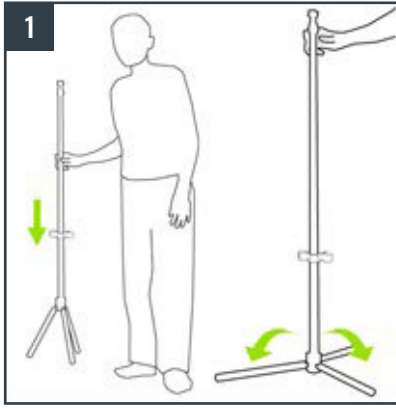
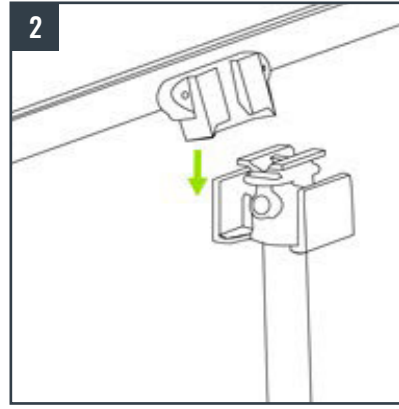


SET-UP INSTRUCTIONS

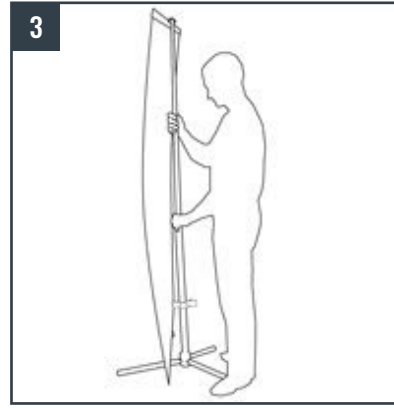
SPRINT



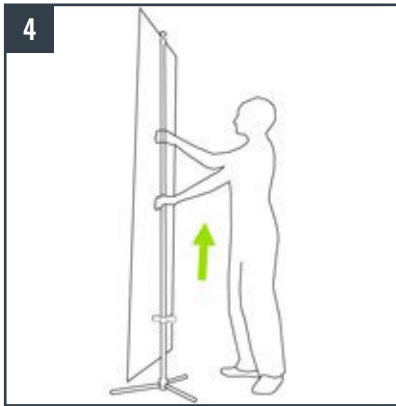
1 Remove the Sprint display from case and hold upright, allowing the legs to snap into place



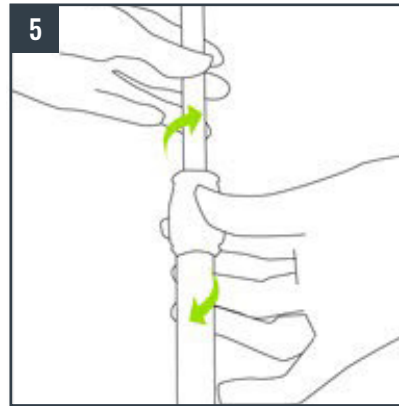
2 Take the graphic by the top hanger bar and clip it onto the pole head using the center piece.



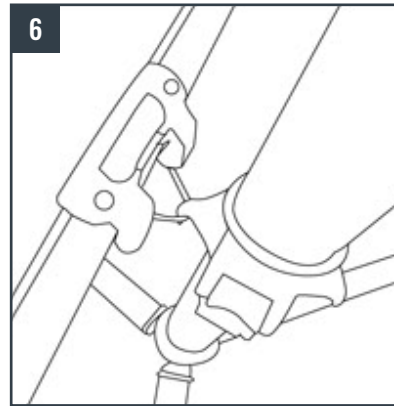
3 Unscrew one of the two black rings to release and adjust the telescopic pole.



4 Adjust the banner/telescopic pole to desired height.



5 Twist to the left to loosen and right to tighten the grip plastic locks, while adjusting the banner height.



6 Attach the bottom hanger to the pin on the adjustable ring. The thumb-screw will allow you to adjust the position up or down. The tension between the top/bottom hangers secures the graphic on the stand.

