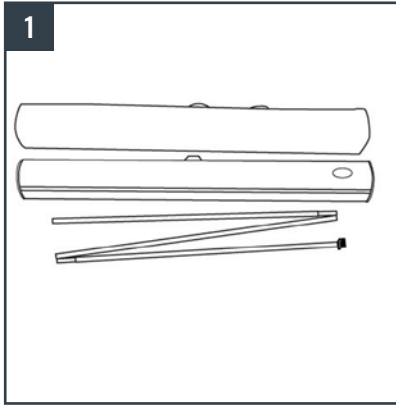
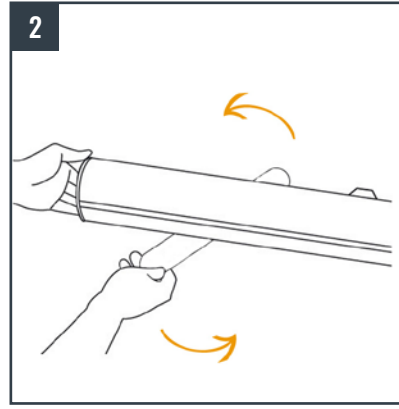


SET-UP INSTRUCTIONS

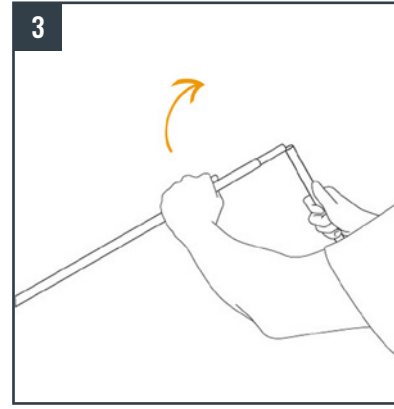
ONE.R1/R2



CONTENTS:
x1 Retractable banner stand + x1
3-piece pole + x1 Transport bag



Turn out the stabilizing feet of the base.



Unfold 3-piece pole. The tension of the bungee cord adjusts the pole into the base automatically.



Insert the head of the pole into the hanger.



Insert the pole into the base and adjust the perpendicularity in order to avoid waving of the graphic.

