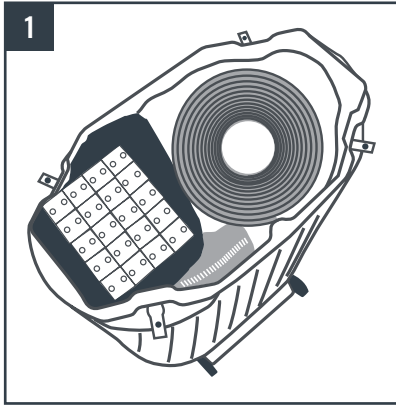
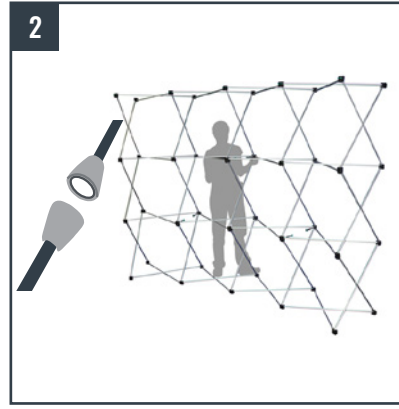


SET-UP INSTRUCTIONS

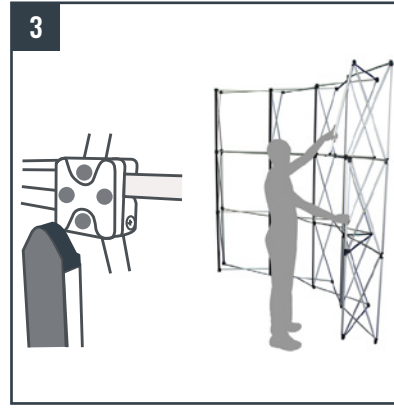
MAGNUM



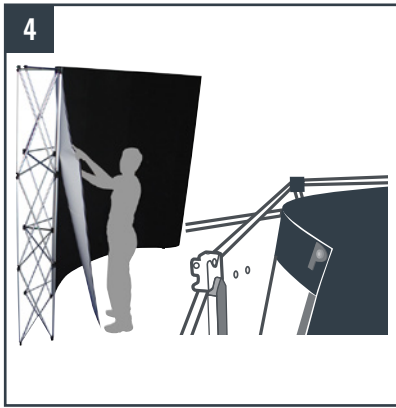
Open the transport case and remove the pop-up display frame and magnetic channel bars.



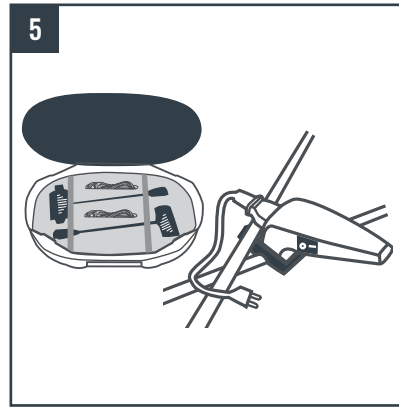
Ensure that the grey adjustable feet located on the bottom of the frame are facing the ground and pull the frame open until the magnetic locking connectors engage.



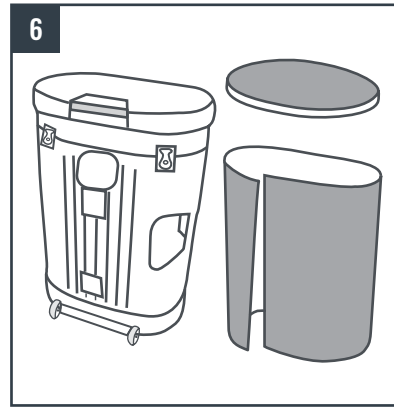
Install the magnetic channel bars into the vertical columns across the entire front of the display as well as the two rear edges of the frame.



Hang panels by aligning magnets on top corners of panels to magnets on top hubs. Align magnetic tape on rear of panels to the magnetic channel bars.



Install lights located inside the case lid by inserting the base of the light adapter into the 'X' created by the top horizontal cross bars of the frame.



Convert your case to a podium by wrapping the podium wrap panel around the outside of the case. Place the hardwood oval on top of the case.

