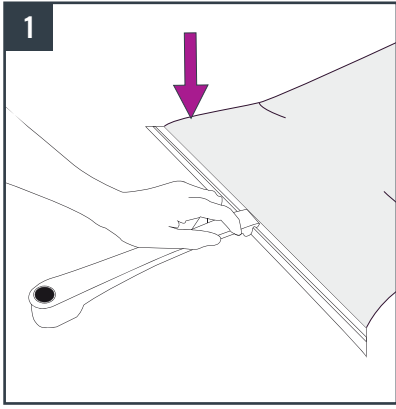
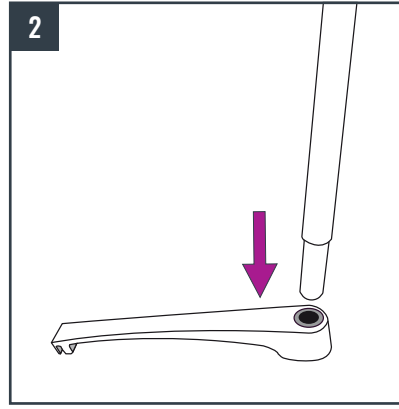


# SET-UP INSTRUCTIONS

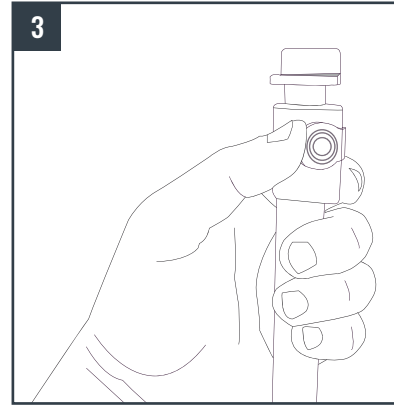
# LITE BANNER



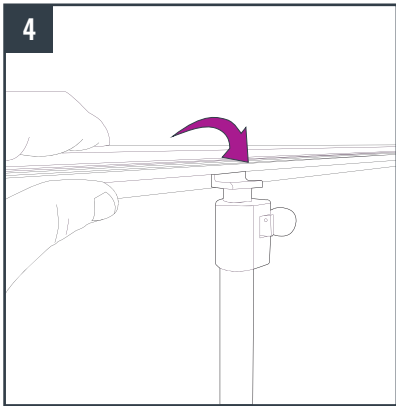
1 On a clean surface, put the base into the groove of the graphic kicker by centering it.



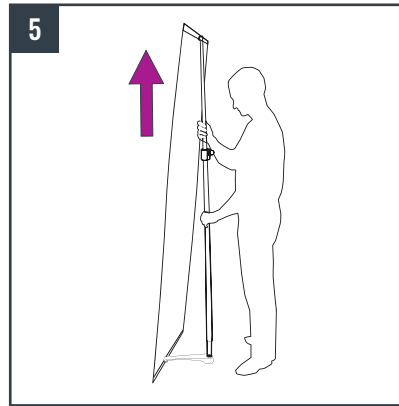
2 Insert the pole into the base.



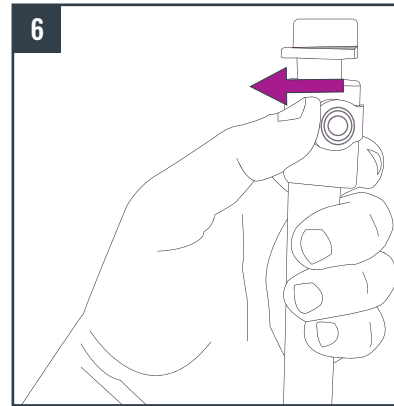
3 Open the locking clamp on the top of the telescopic pole.



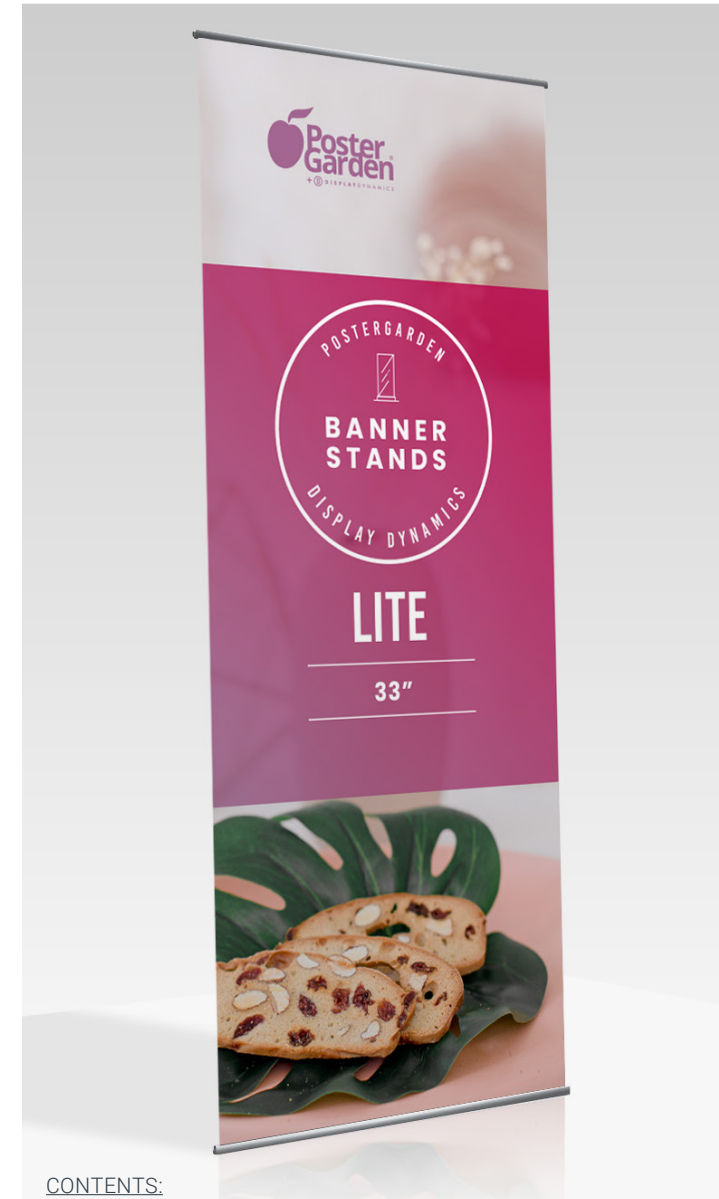
4 Insert the graphic hanger into the centre of the pole's head.



5 Adjust the height of the telescopic pole according to the length of the graphic.



6 Close the locking clamp of the telescopic pole.



CONTENTS:  
x1 LiteBanner with telescopic pole + x1 Graphic with clipping hanger  
& kicker + x1 Foot + x1 Transport bag