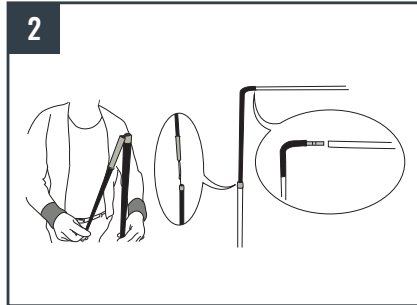
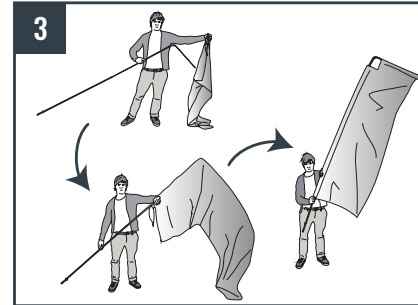


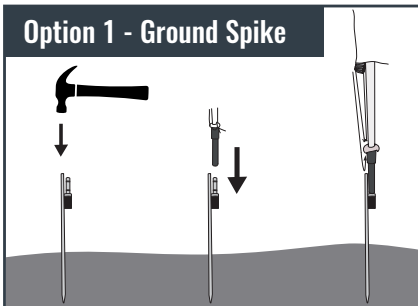
CONTENTS:
x1 Lightweight Carry-Case, Flag Graphics, Flag Pole, Ground Spike (outdoor) OR Cross Base (indoor).



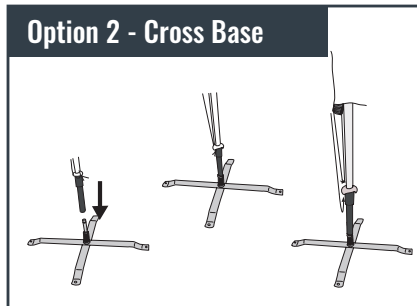
Connect the poles.



Insert the pole into the graphic sleeve and gently push it all the way to the end.

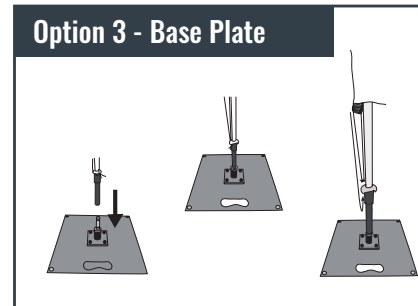


Hammer the top of the steel rod into the ground. Place the pole onto the ground spike and secure the graphic using the provided cord.



Place the pole onto the cross base and secure the graphic using the provided cord.

*If you have purchased the water ballast add-on, fill it with water and place it ovetop of the cross base prior to placing and securing the pole.



Place the pole onto the base plate and secure the graphic using the provided cord.

