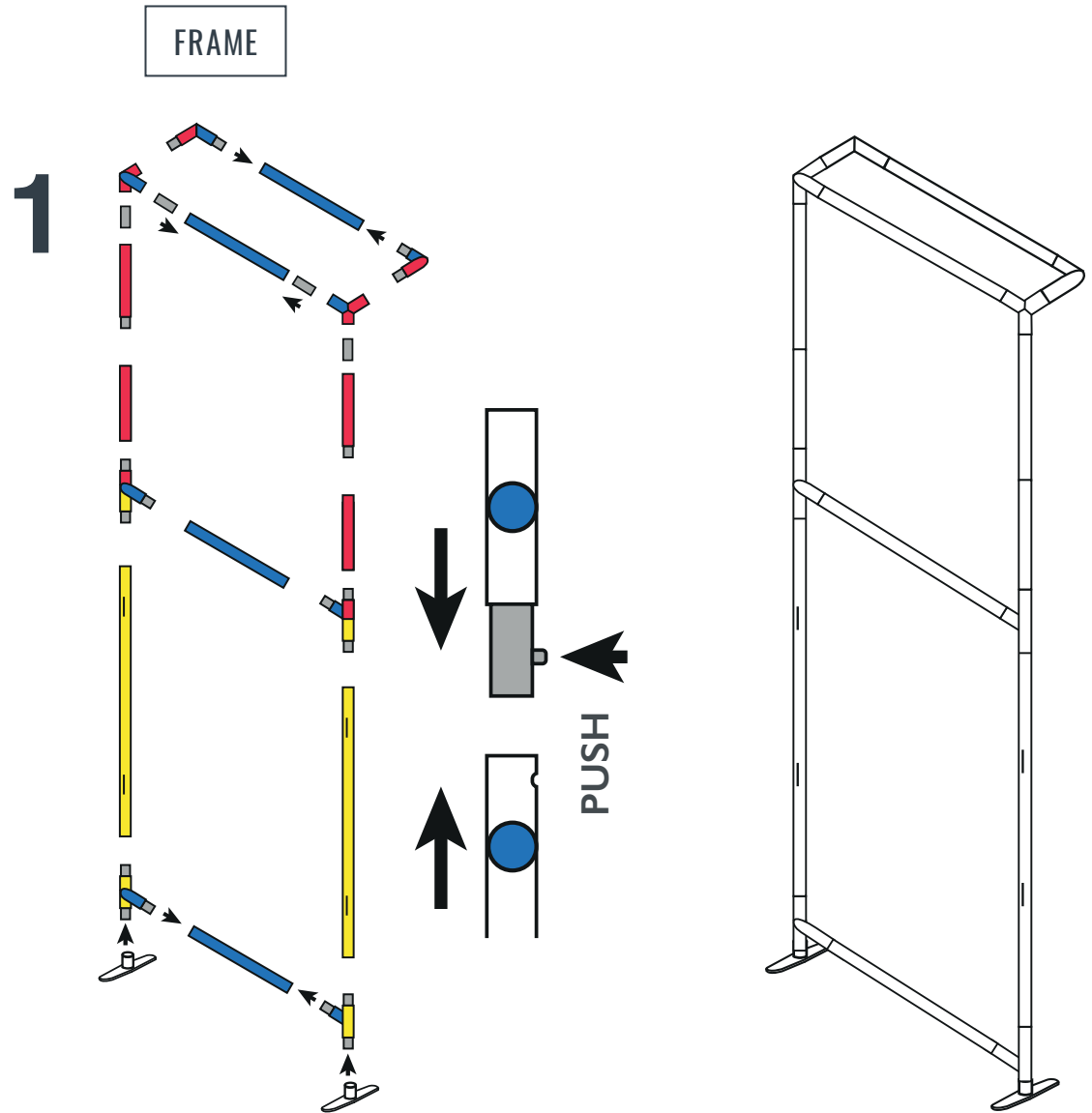
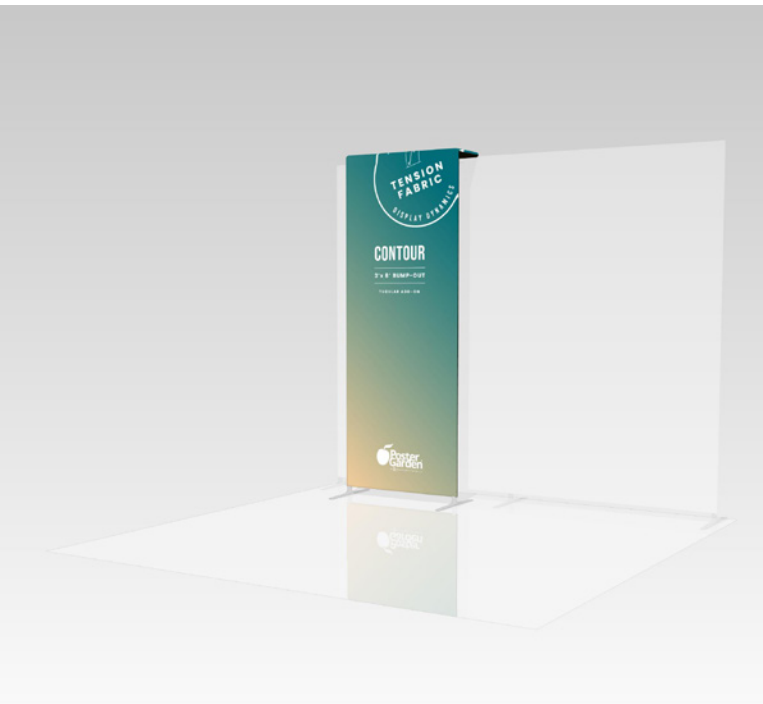
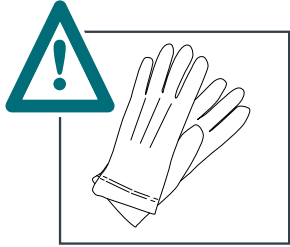


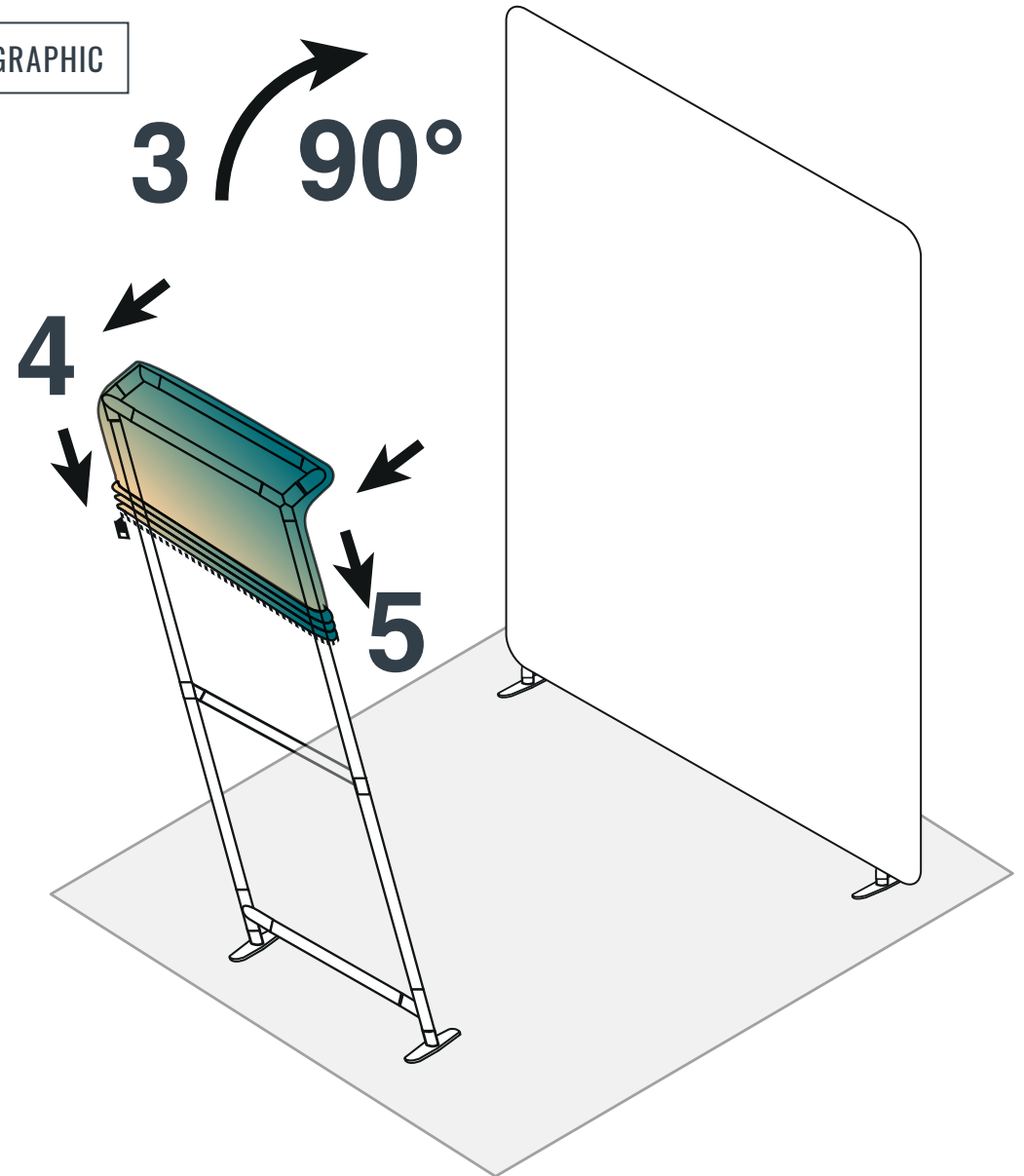
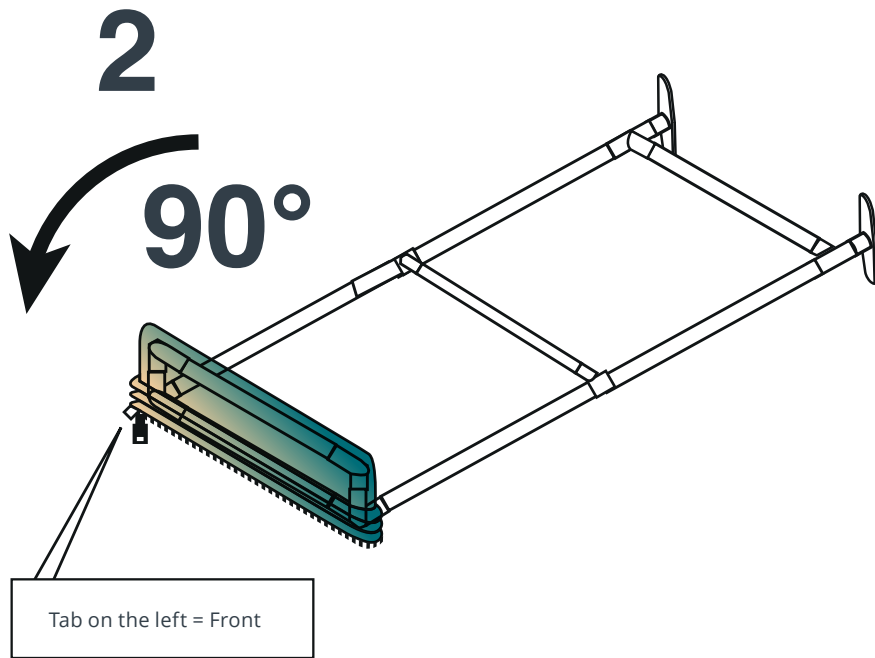
The bump-out must be attached to a frame that is already set-up.

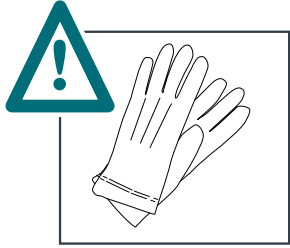




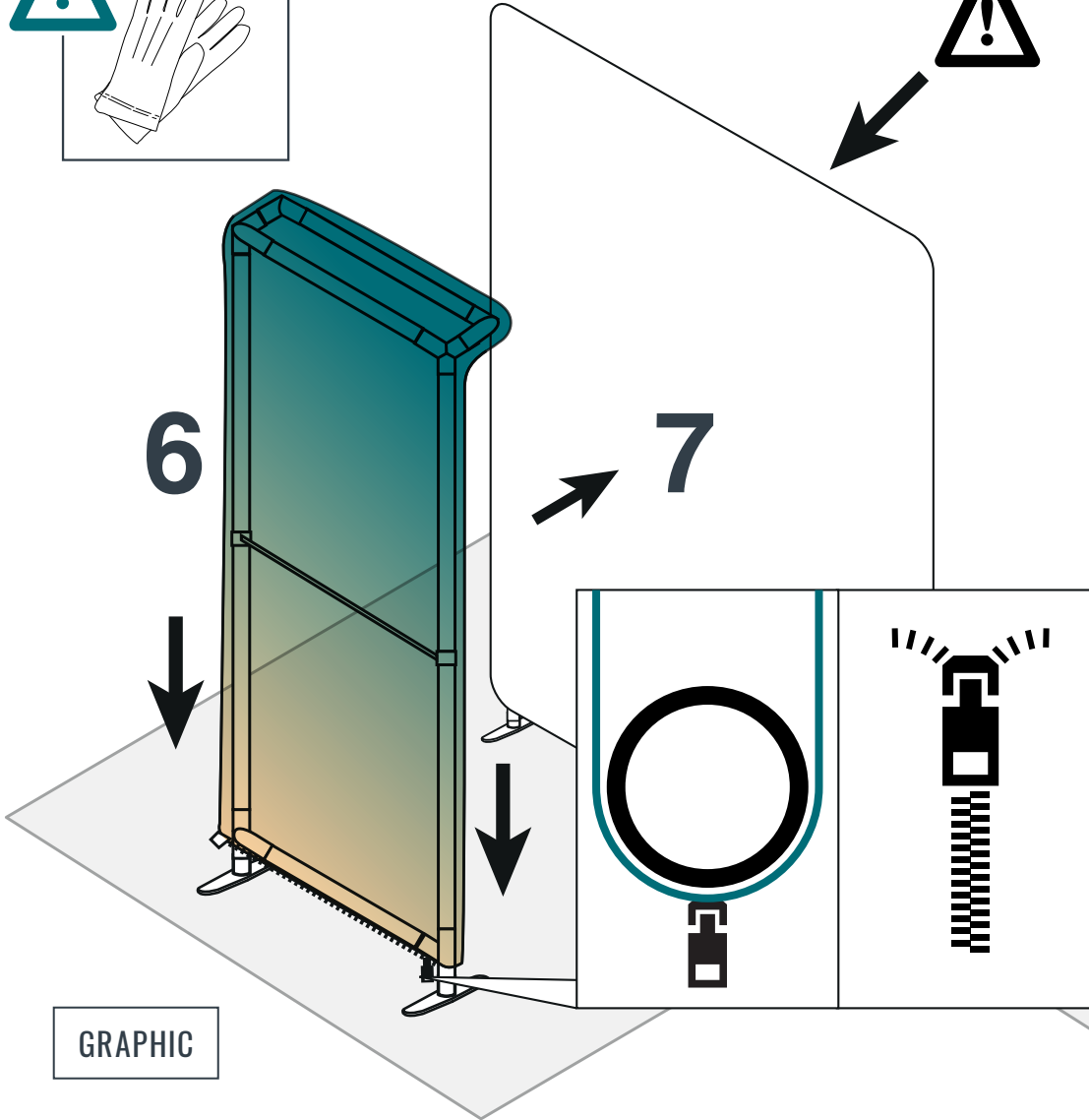
Tips: Use gloves and work on a clean site.

GRAPHIC





Tips: Use gloves and work on a clean site.



8

CONNECTION

