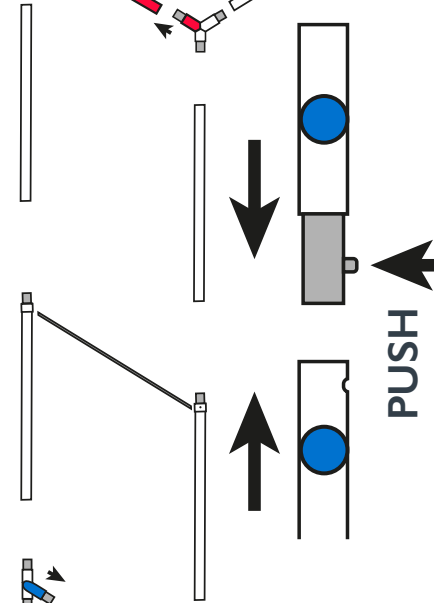
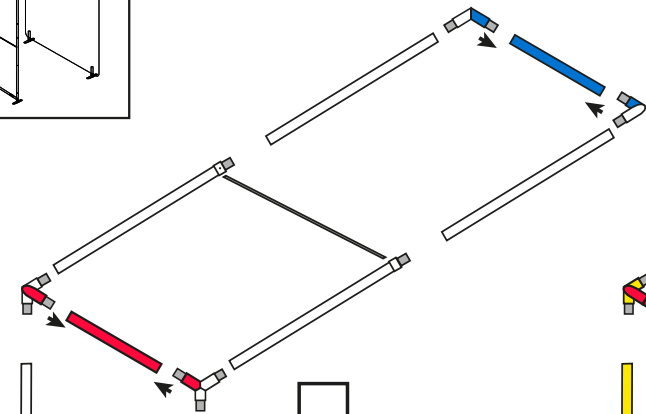


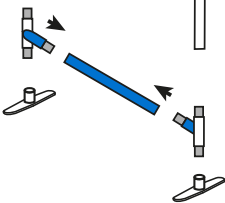
The arch must be attached to a frame that is already set-up.

## FRAME ASSEMBLY

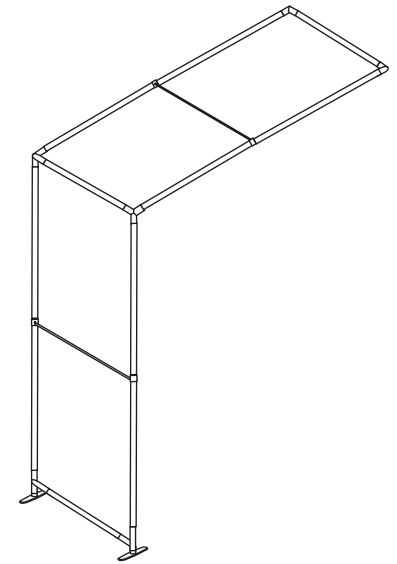
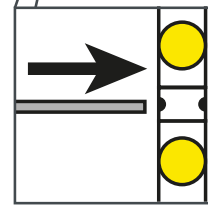
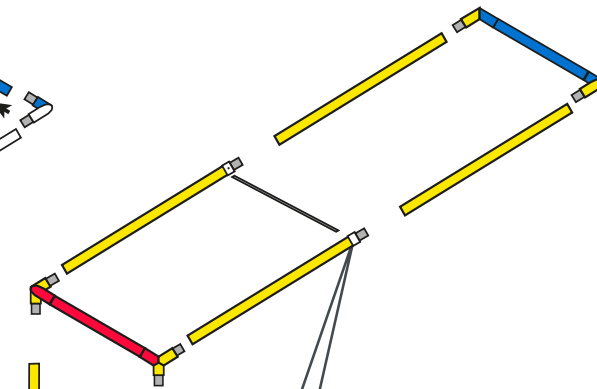
# 1

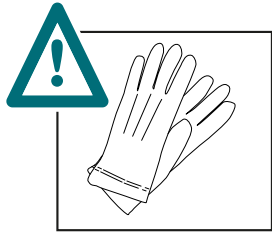


# 2



# 3

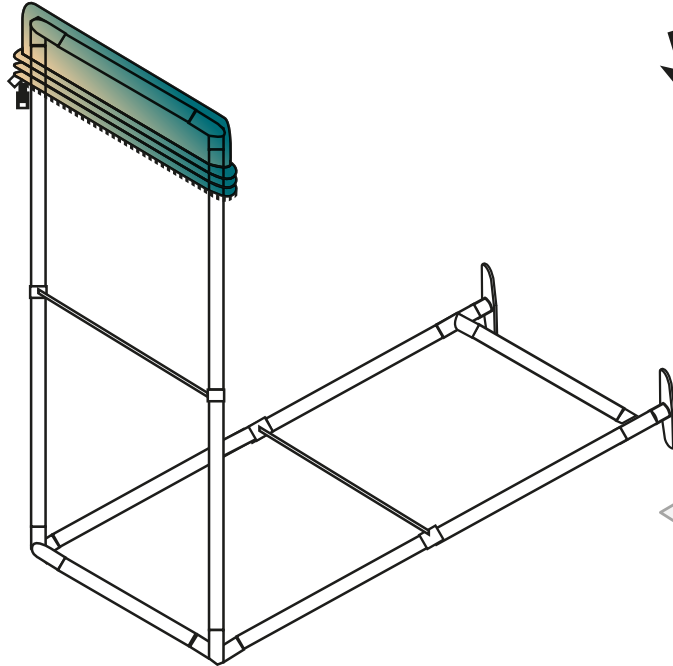




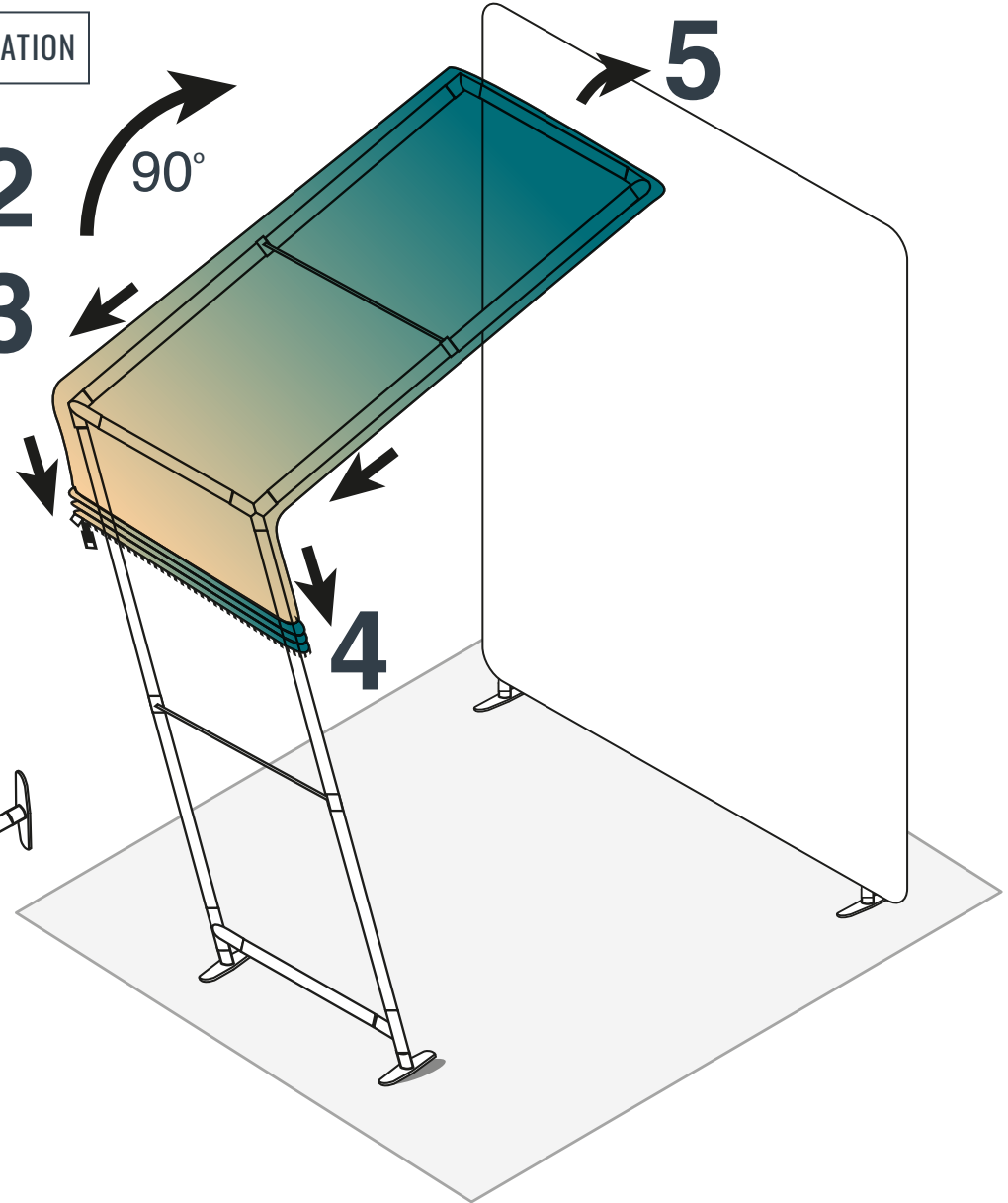
Tips: Use gloves and work on a clean site.

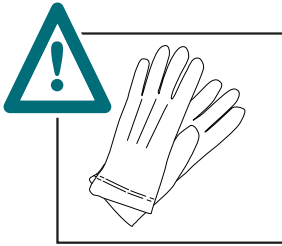
## GRAPHIC INSTALLATION

**1**  
90°



**2**  
**3**





Tips: Use gloves and work on a clean site.

## GRAPHIC INSTALLATION

