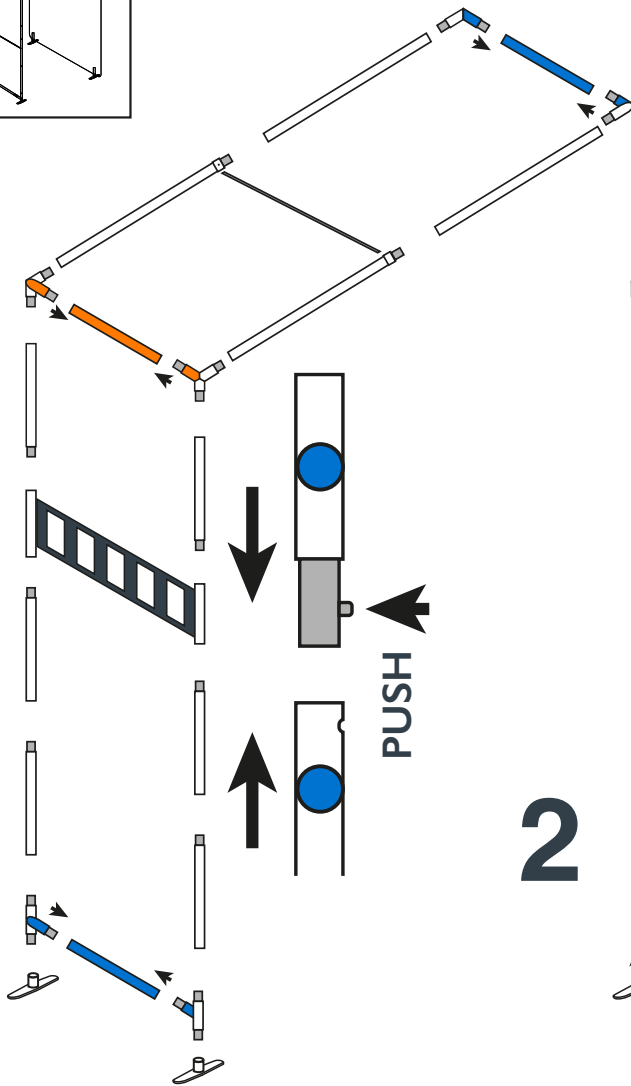


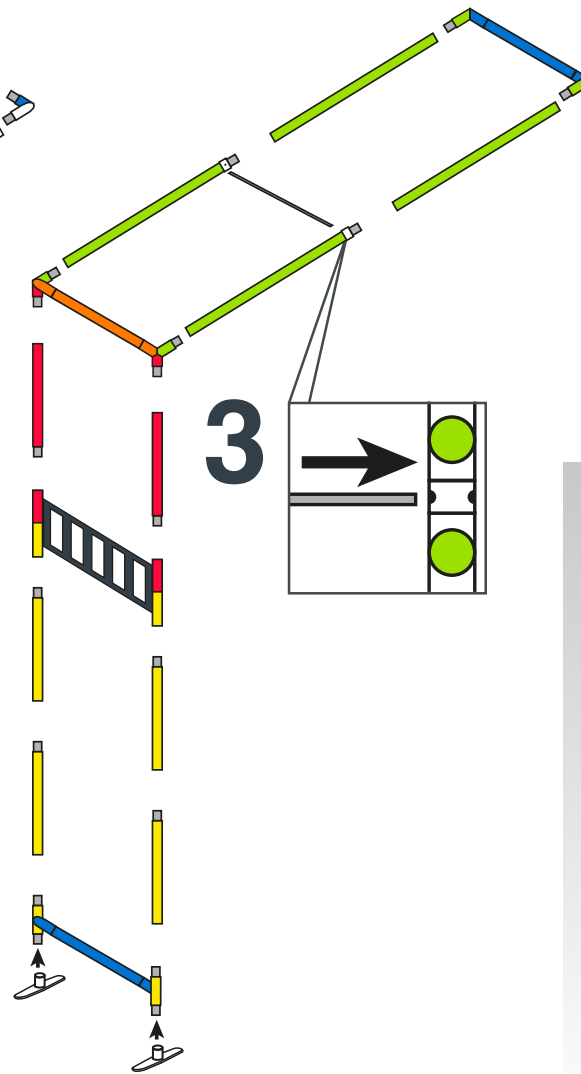
The arch must be attached to a frame that is already set-up.

FRAME ASSEMBLY

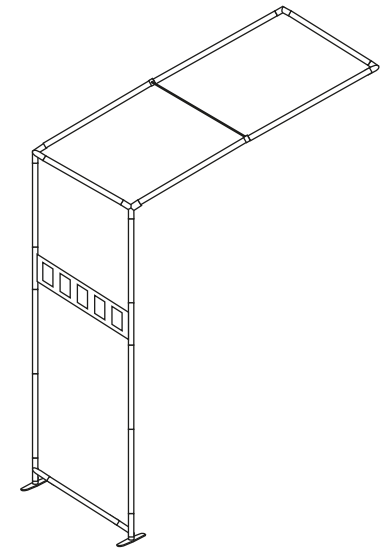
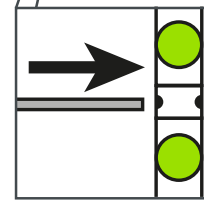
1

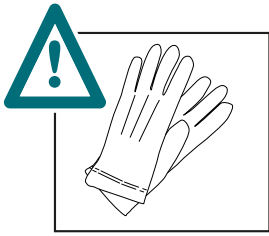


2



3

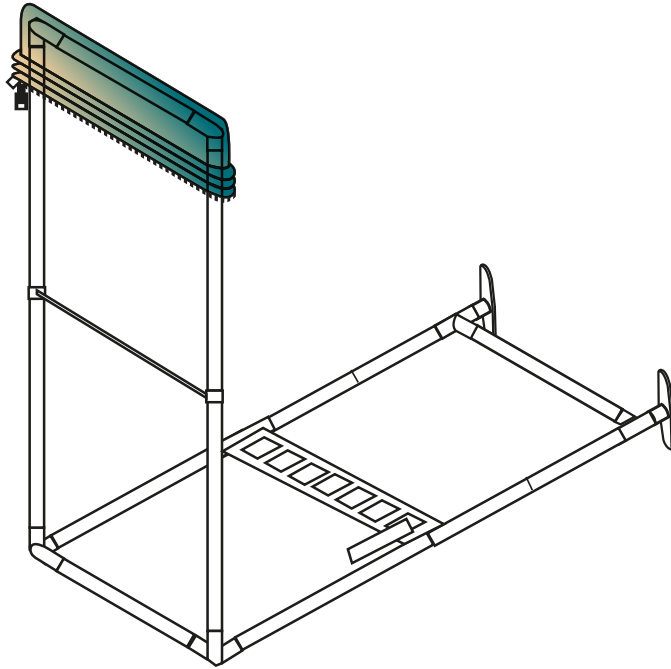




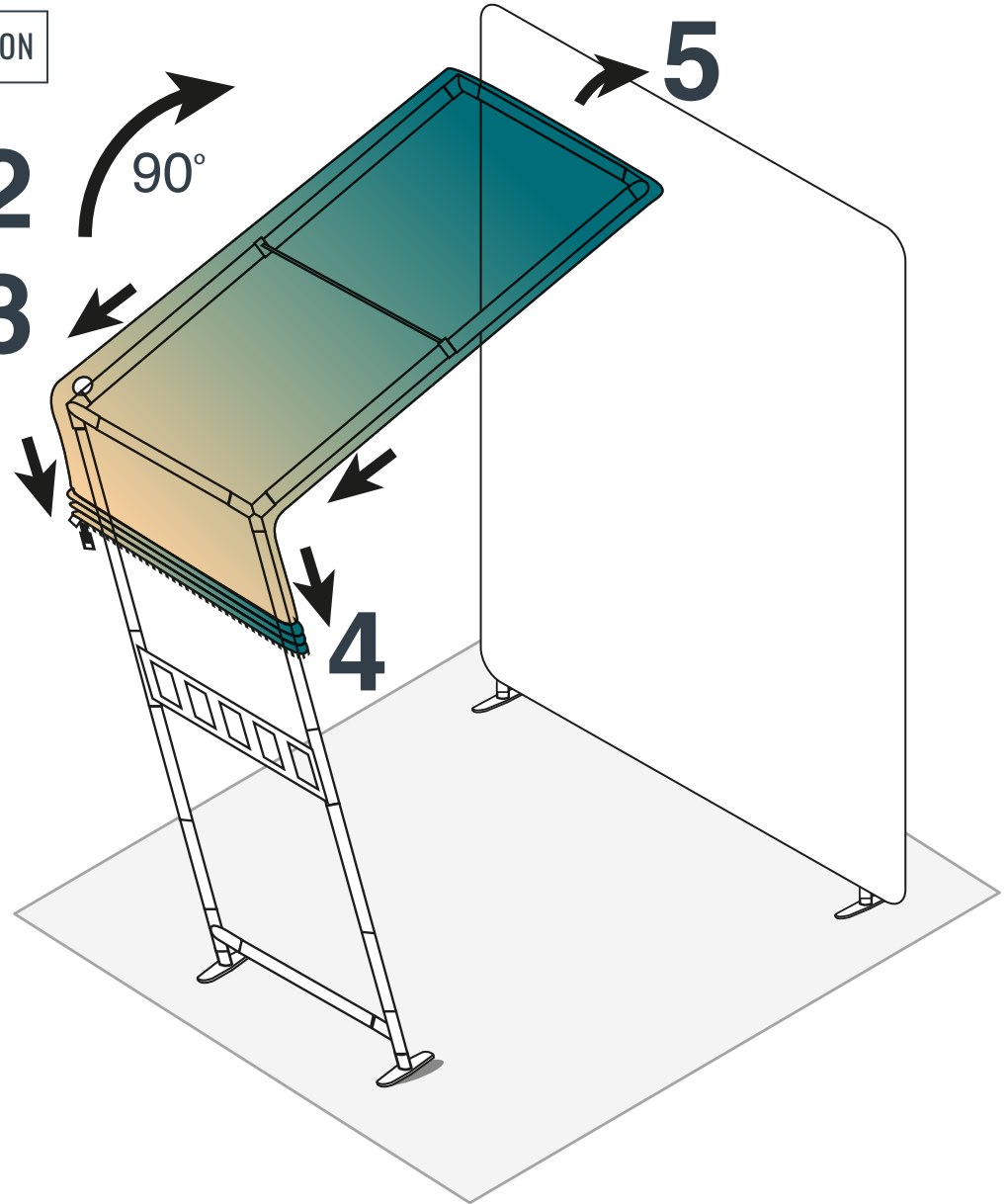
Tips: Use gloves and work on a clean site.

GRAPHIC INSTALLATION

1
90°

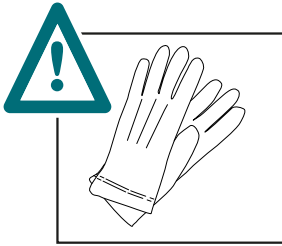


2
3



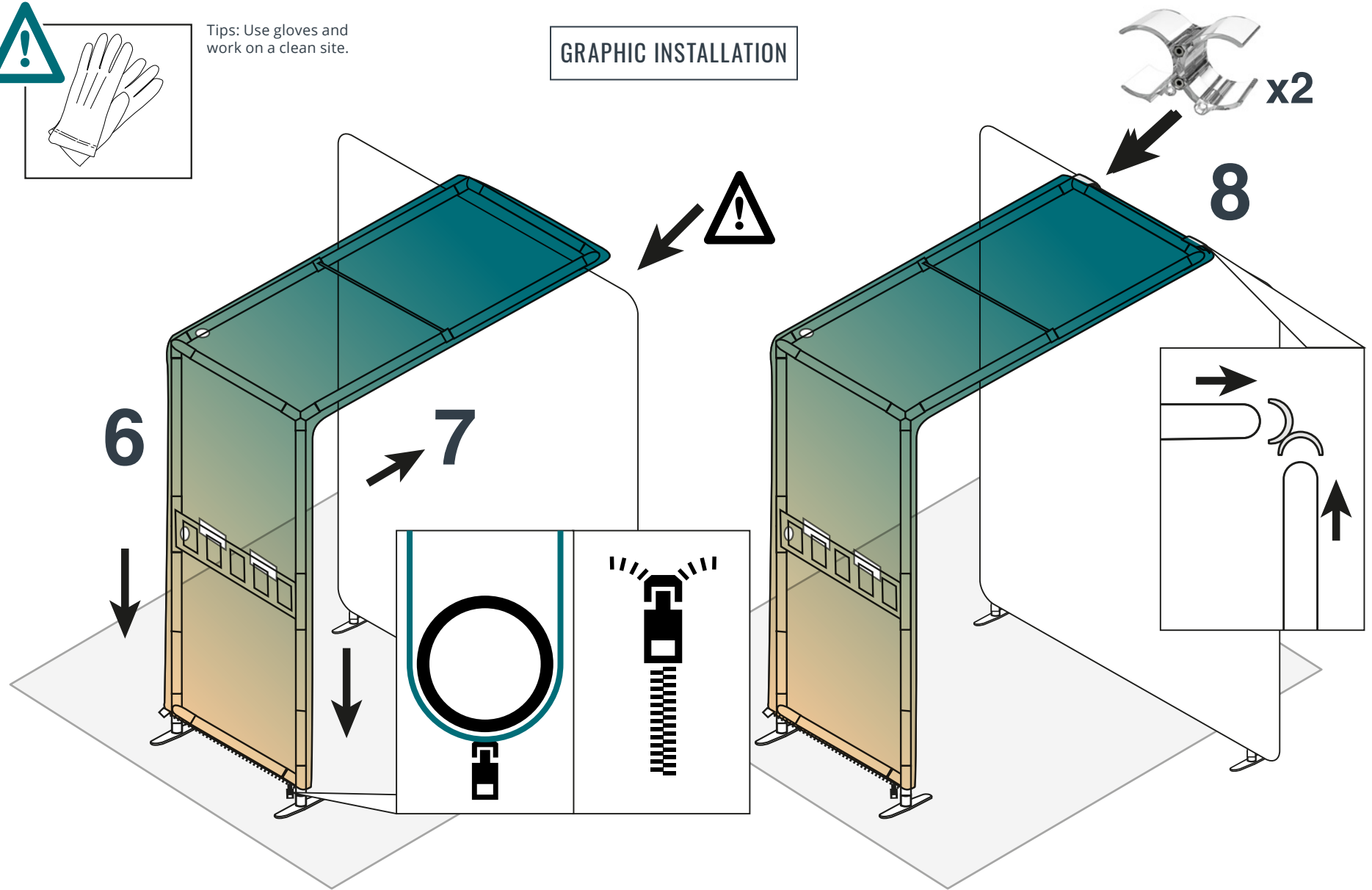
4

5

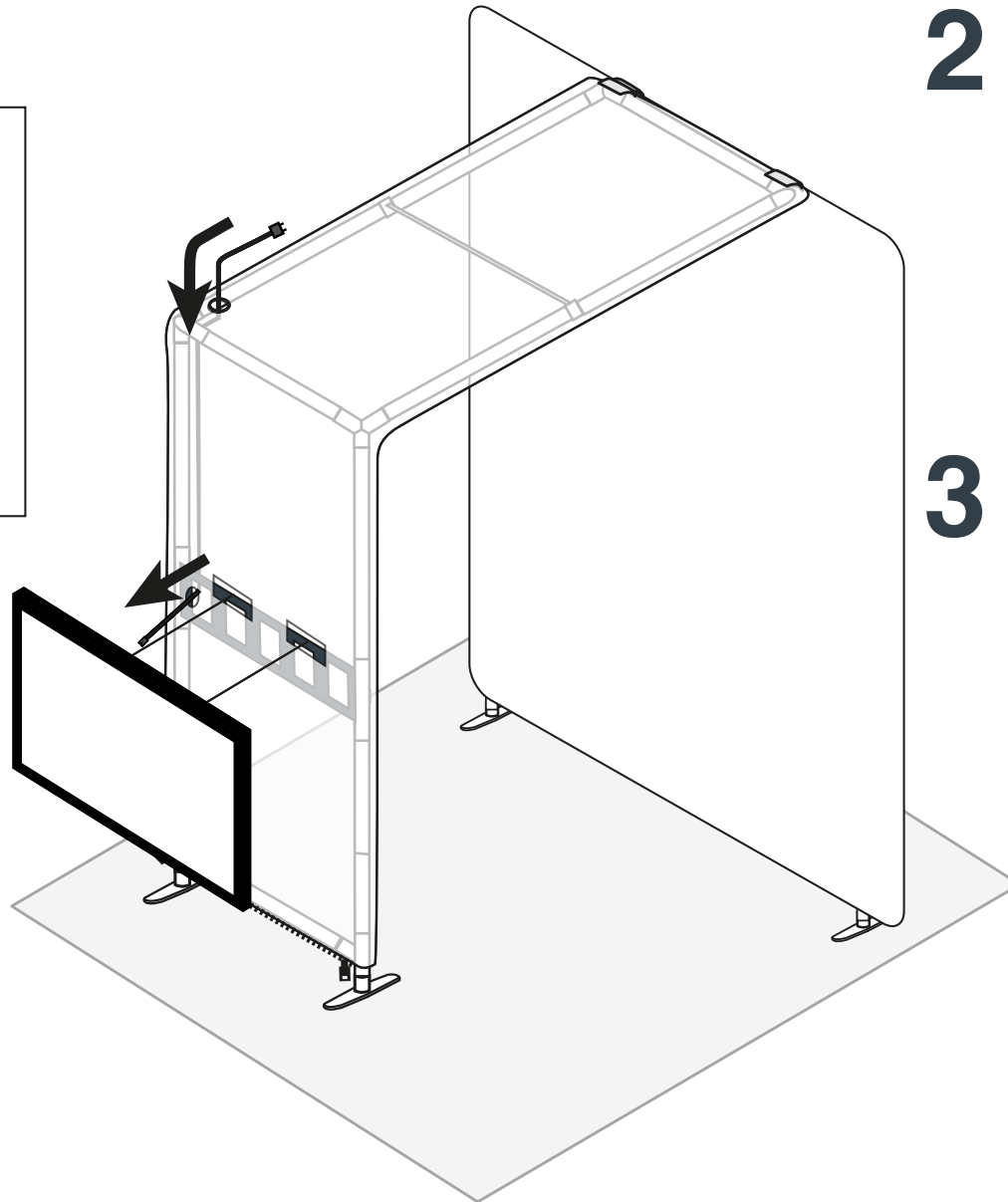
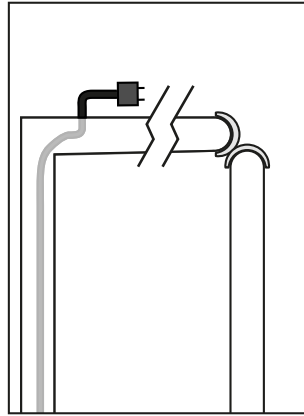


Tips: Use gloves and work on a clean site.

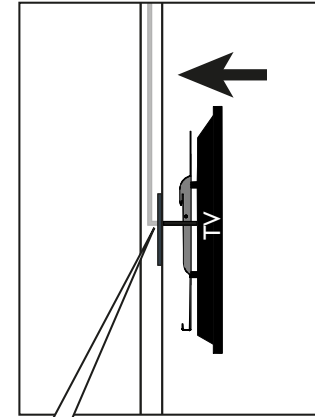
GRAPHIC INSTALLATION



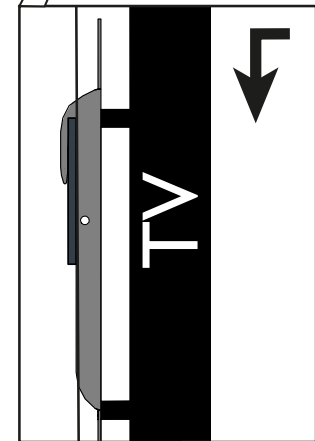
1



2



3



TV INSTALLATION