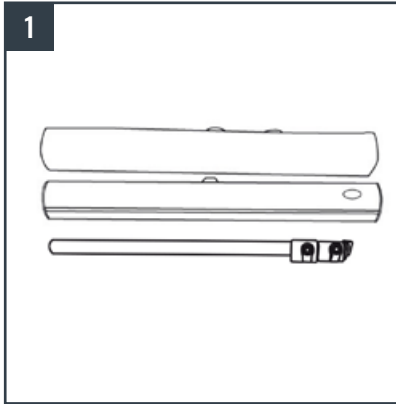
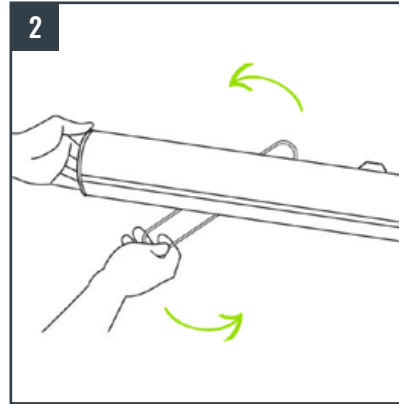


SET-UP INSTRUCTIONS

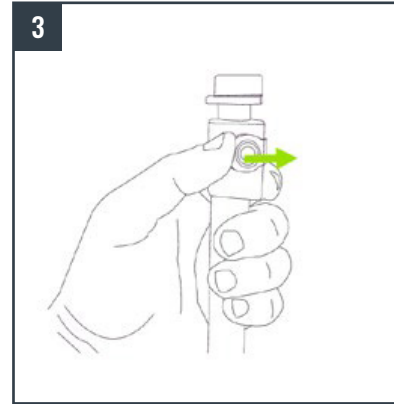
AXIS



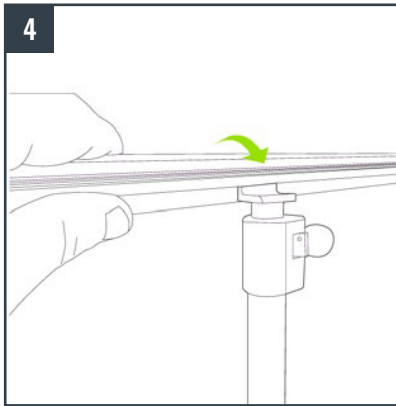
CONTENTS:
x1 Retractable banner stand + x1
Telescopic pole + x1 Transport bag



Pull the stabilizing feet out to be perpendicular with the base.



Open the locking clamp on the top of the telescopic pole.



Insert the graphic hanger into the center of the pole's head.



Adjust the height of the telescopic pole according to the length of the graphic.



Close the locking clamp of the telescopic pole.

