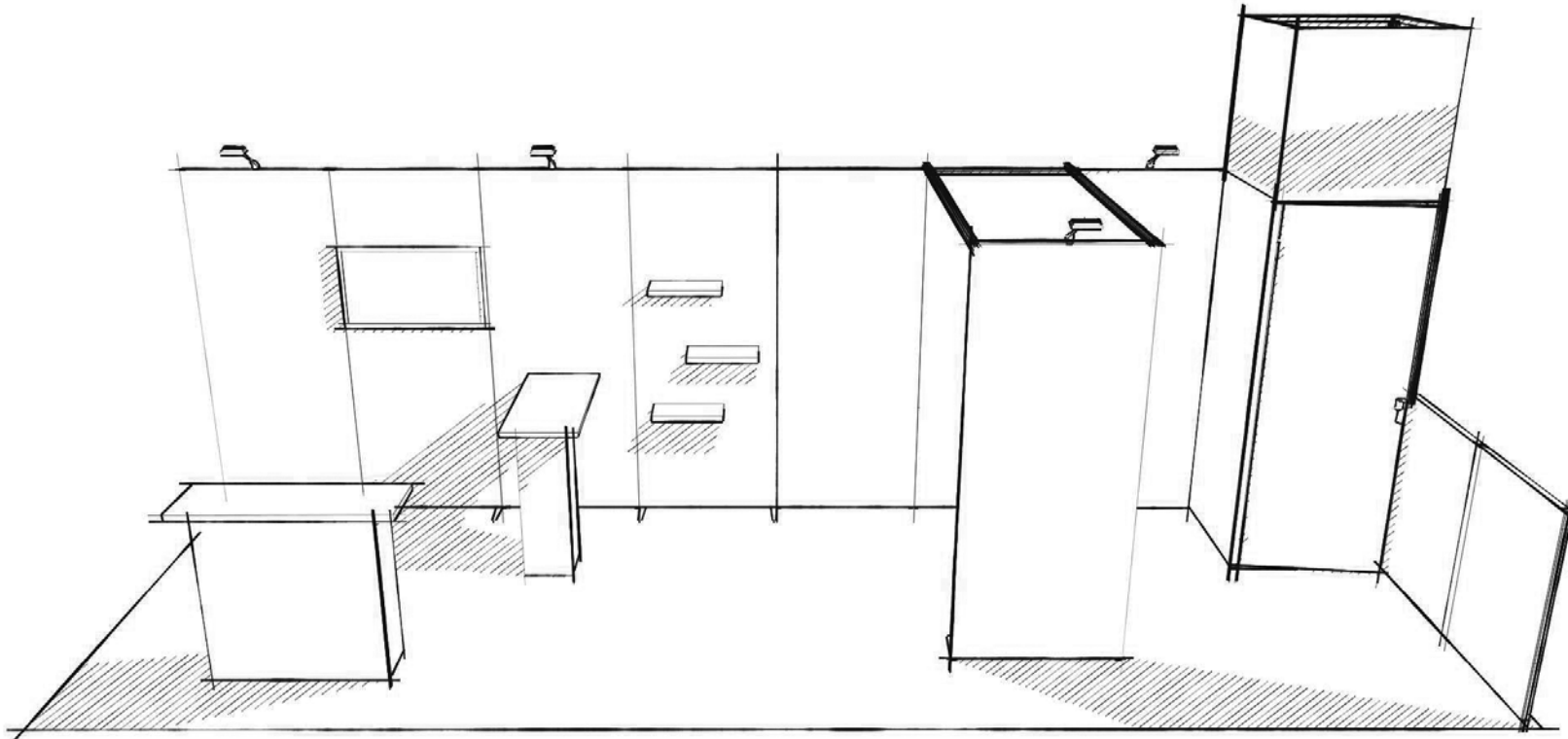


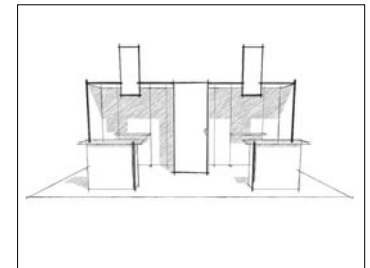
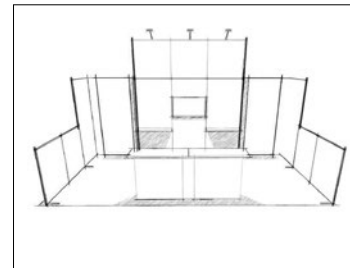
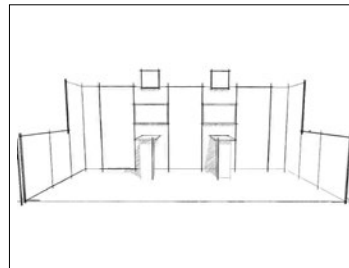
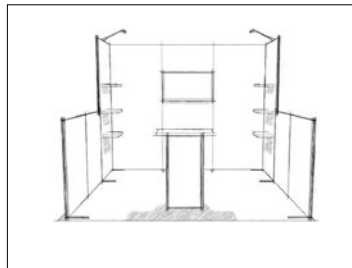
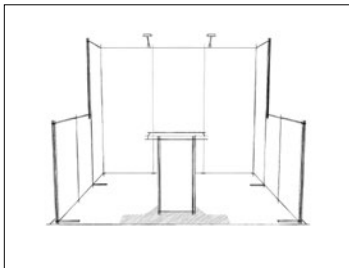
panoramic[®] Assembly Instructions

h-line



MKG_NA_Instructions_H-line_V13_20160203

But also...



“ Thank you,

for choosing panoramic[®] ”
h-line

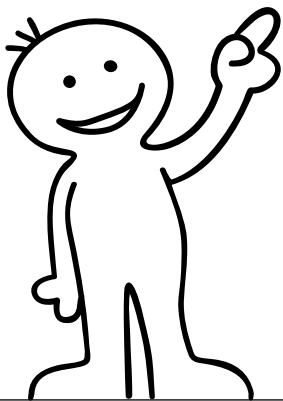









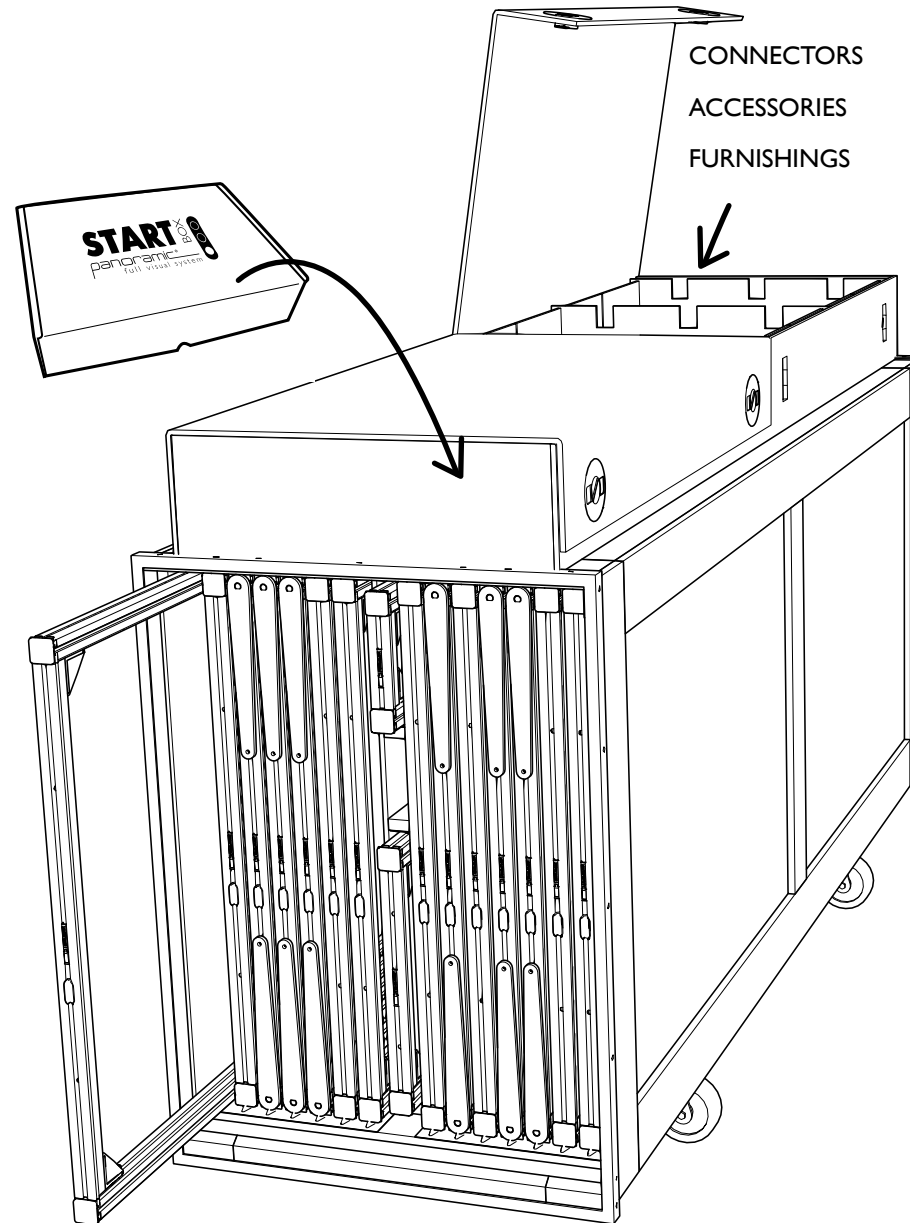


Table of Contents

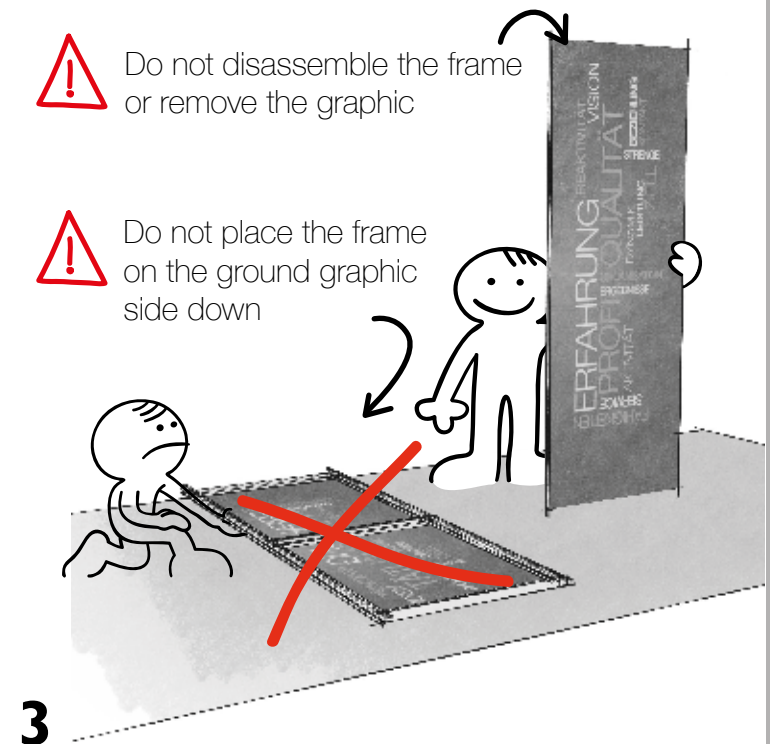
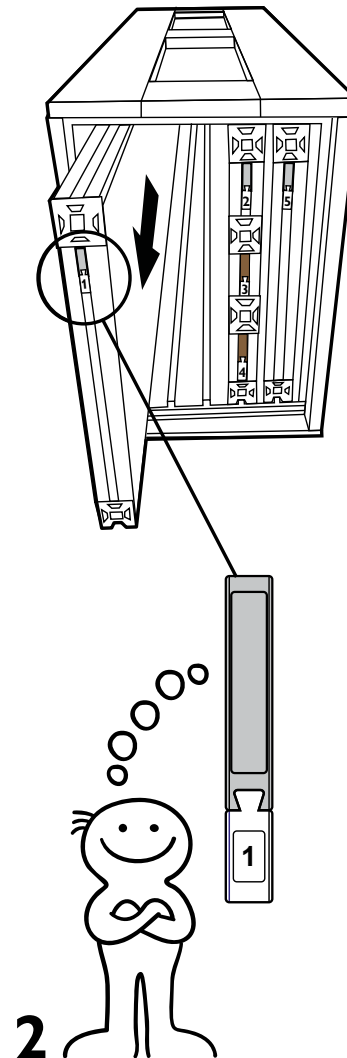
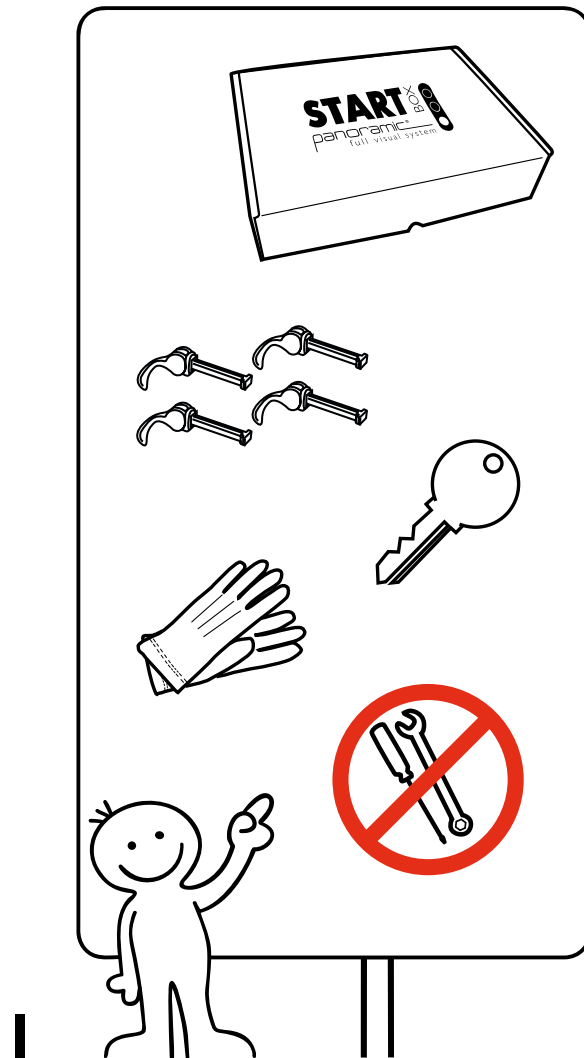
Identification of the Crate _____	4	Finishing Touches _____	24
Assembly Guidelines _____	5	Feet _____	
Smart, optimized storage _____	6	Profile Covers _____	
Module Color-Coding and Chronology (Example) _____	7	Shelves _____	25
Connecting Frames _____	8	Hanging Rod _____	
		Free-Standing Shelf _____	26
		LED Lights _____	
 Standard Lightbox Module _____	10	Power Supply Attachment _____	27
 Angled Module _____	11	Graphics _____	28
 Storage Module (38x38) and Closet _____	12		
Storage Module (38x76) _____	13		
 Shelving Module _____	14		
 Multimedia Module _____	15		
 Arch Module _____	16		
 Console Module _____	18		
 Header Module _____	19		
Signage Module _____	21		
 Counter Module _____	22		
Counter Module (Door) _____	22		
Connection Module _____	23		

Identification of the Crate

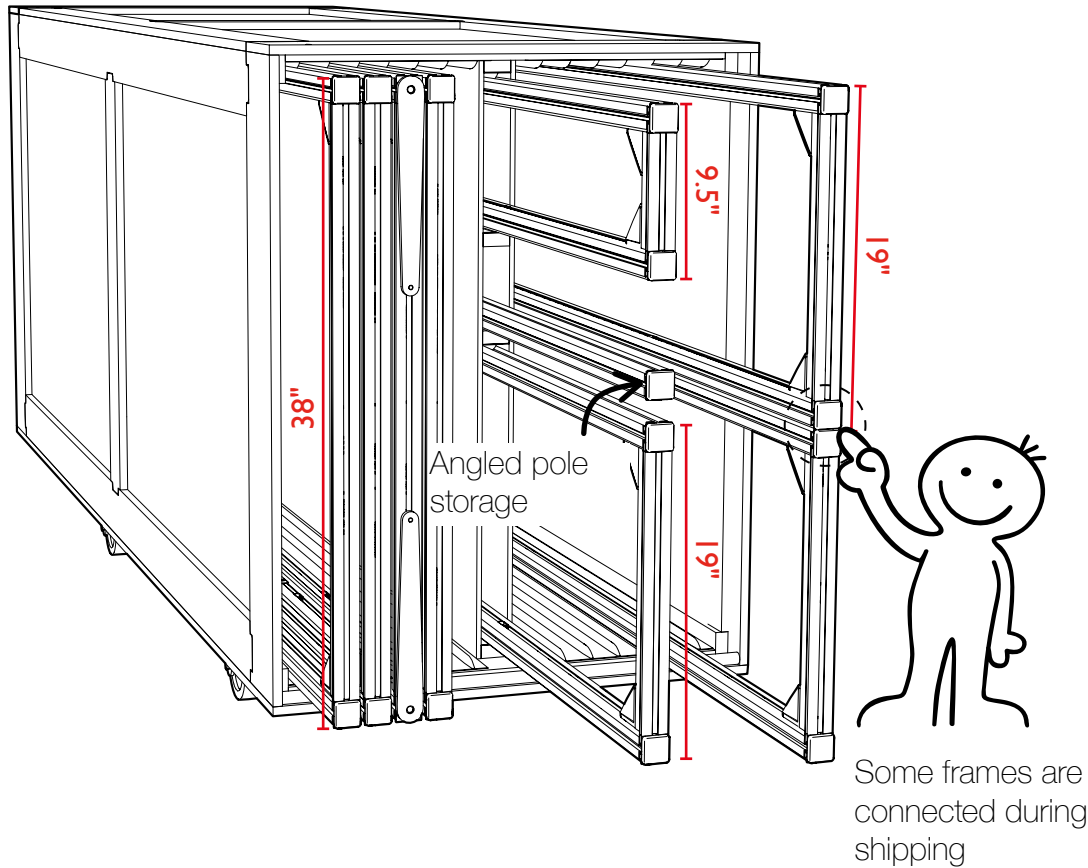
H3 CRATE



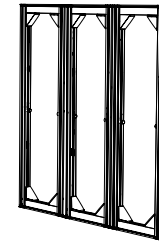
Assembly Guidelines



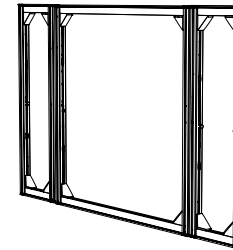
Smart, optimized storage



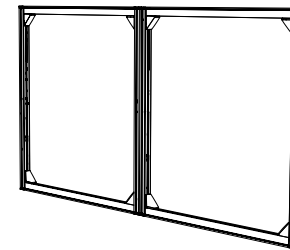
FRAME CONNECTION



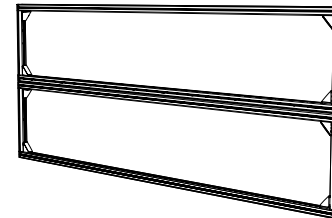
Console Module



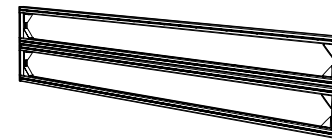
Counter Module



Header Module



Standard Module
19"



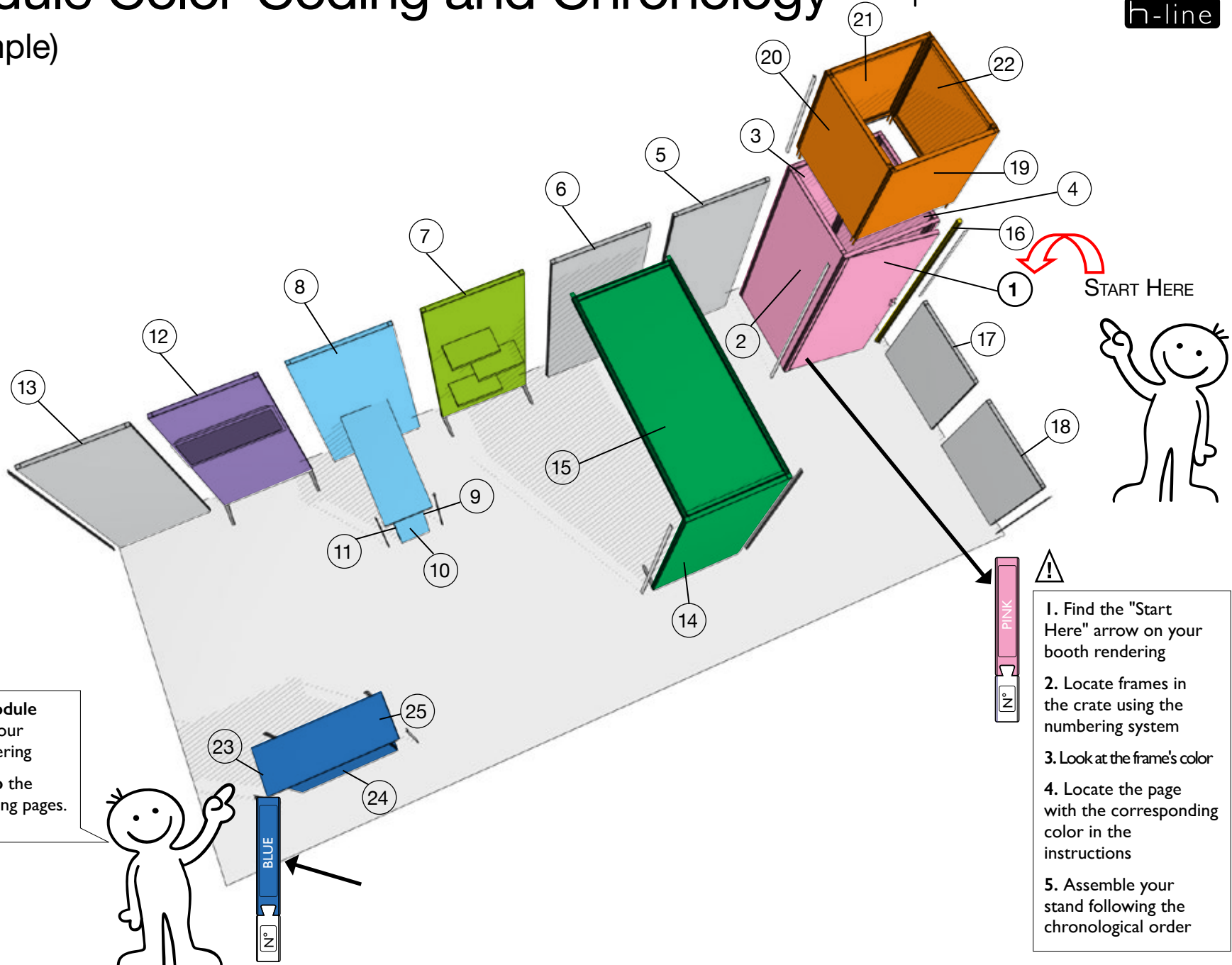
Standard Module
9.5"



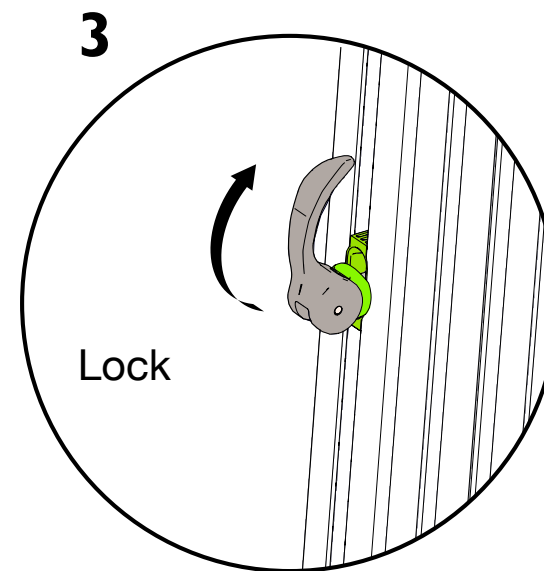
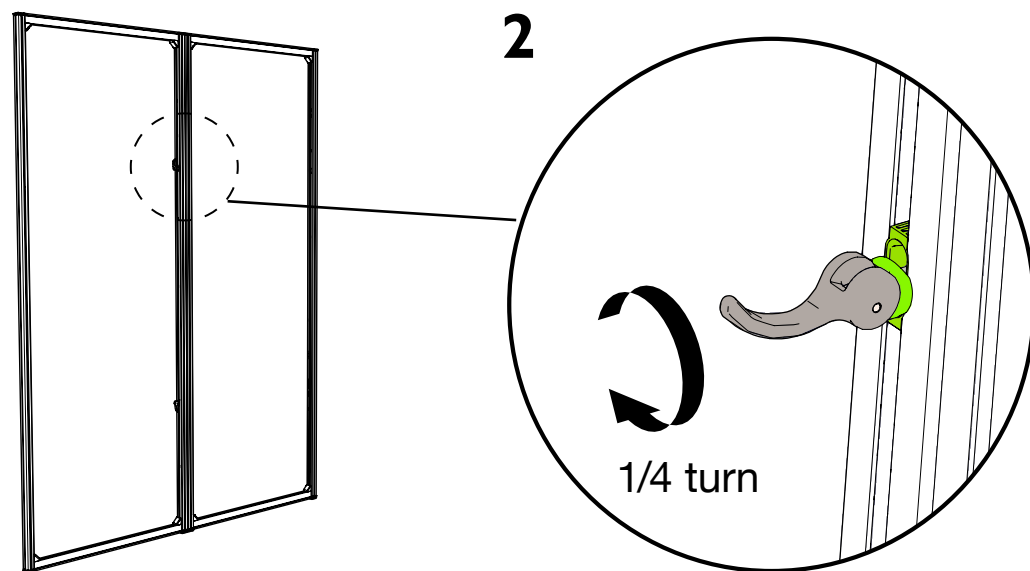
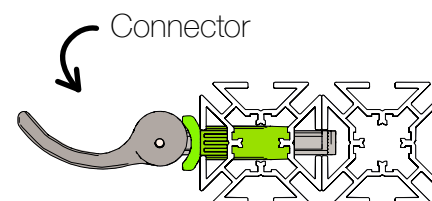
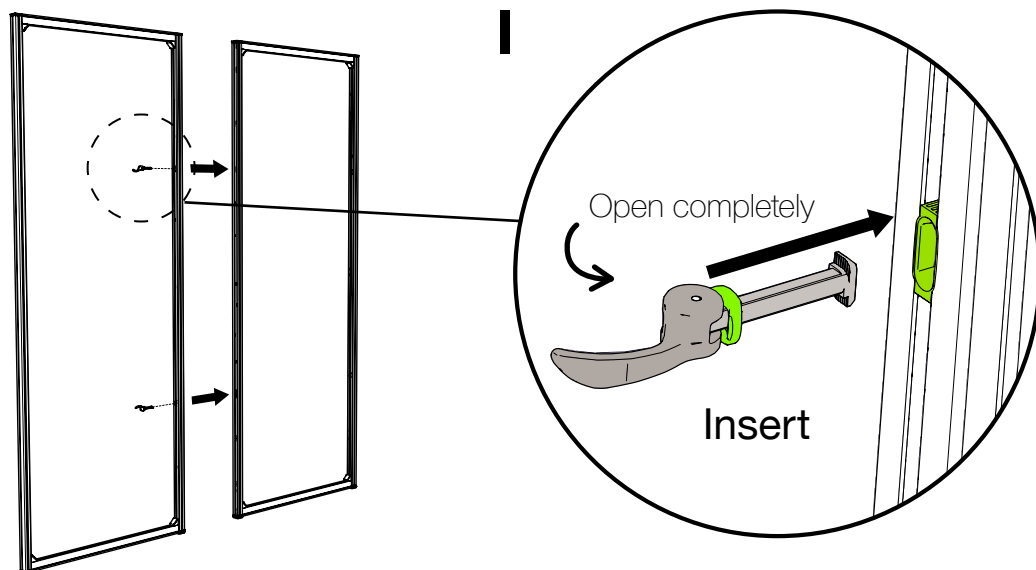
To disconnect the frames, refer to the corresponding modules (see table of contents)

Module Color-Coding and Chronology

(Example)

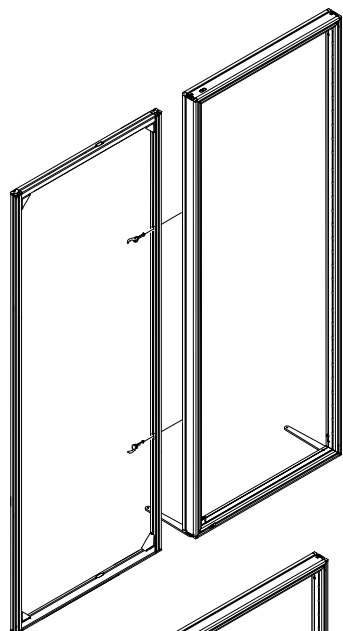


Connecting Frames

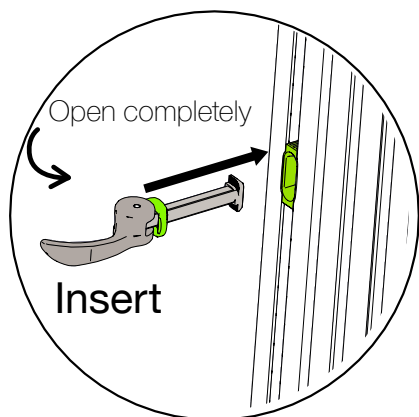


Connecting Lightbox Frames

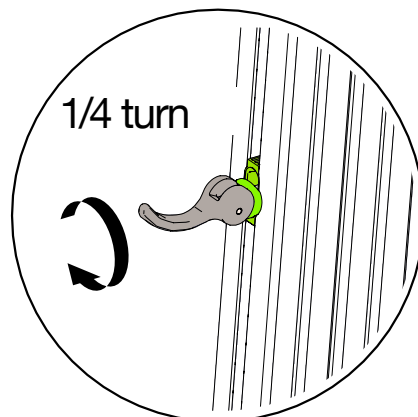
Standard frame / lightbox connection



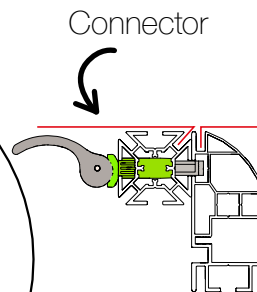
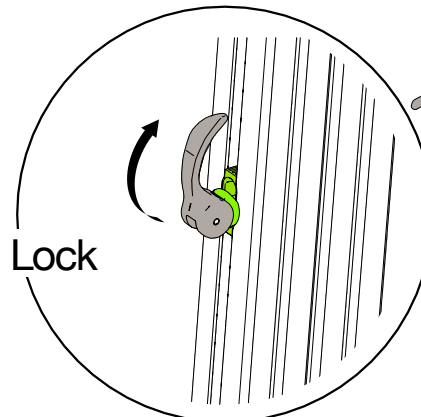
1



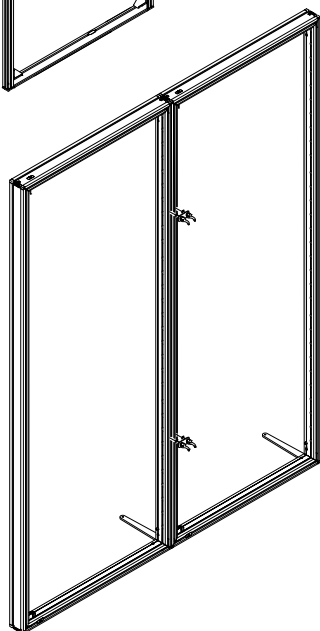
2



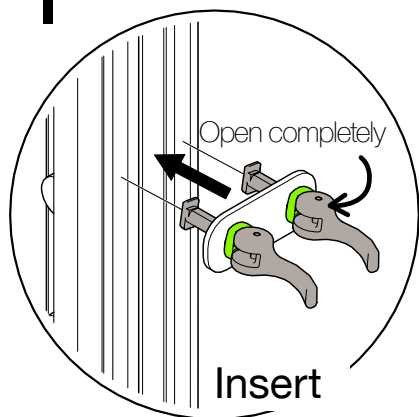
3



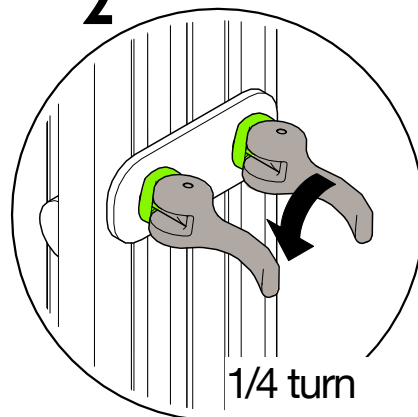
Lightbox / lightbox connection



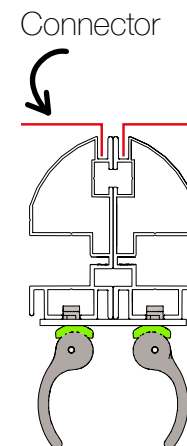
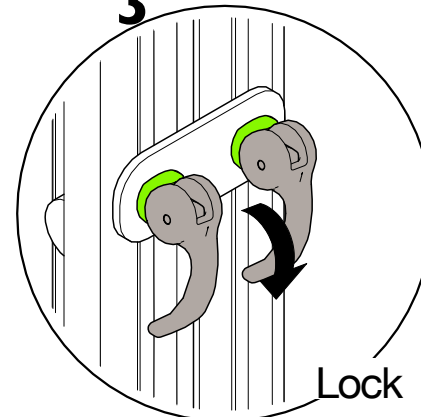
1



2



3

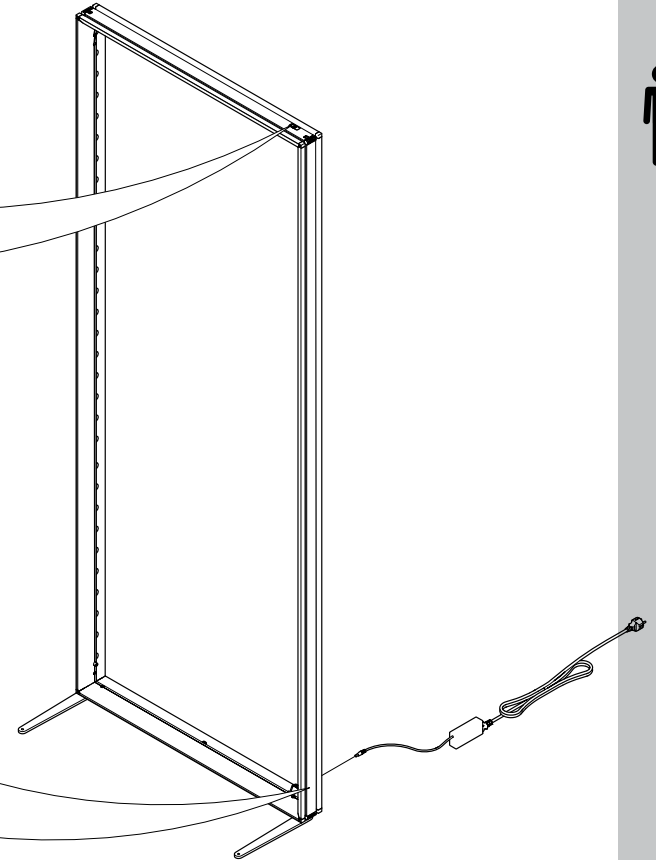
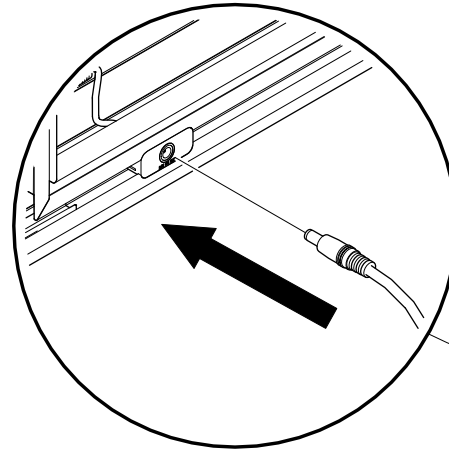
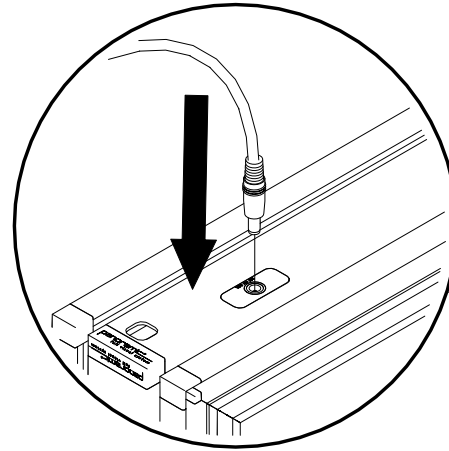
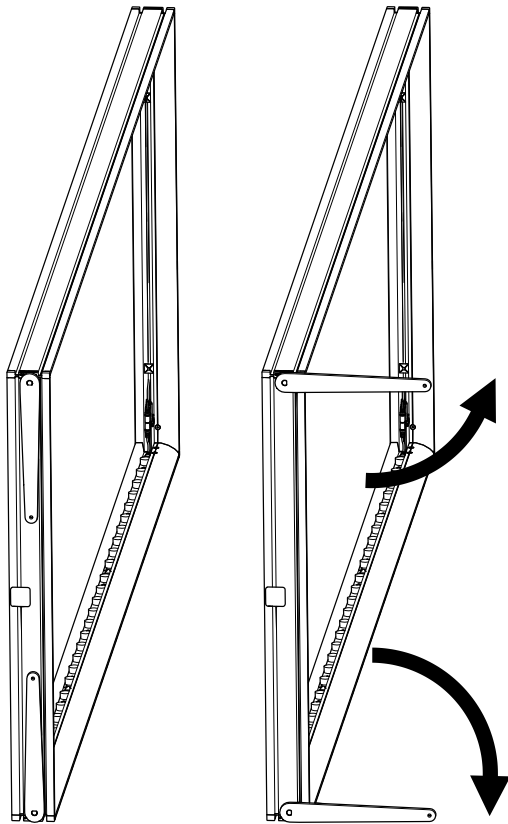
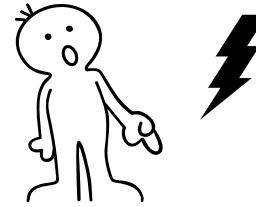


Standard Lightbox Module

panoramic®
h-line

1 Rotate feet
(optional)

2 Plug



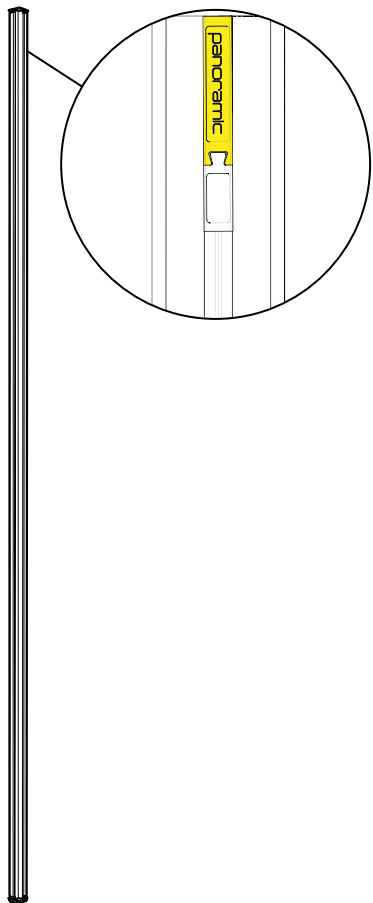
GREY
N°

x1

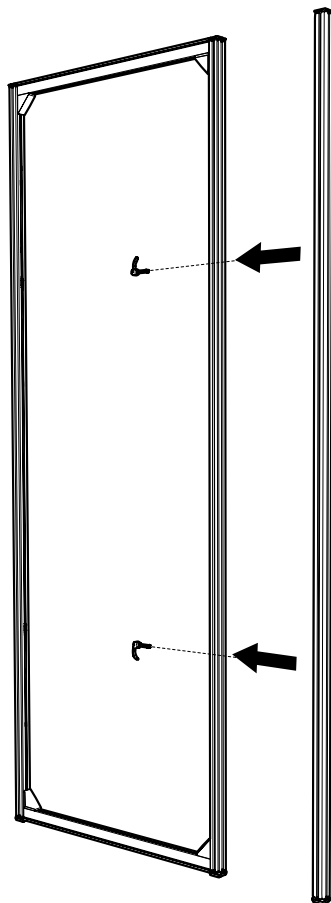
Angled Module

panoramic®
h-line

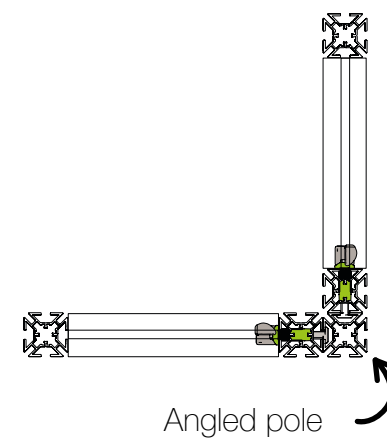
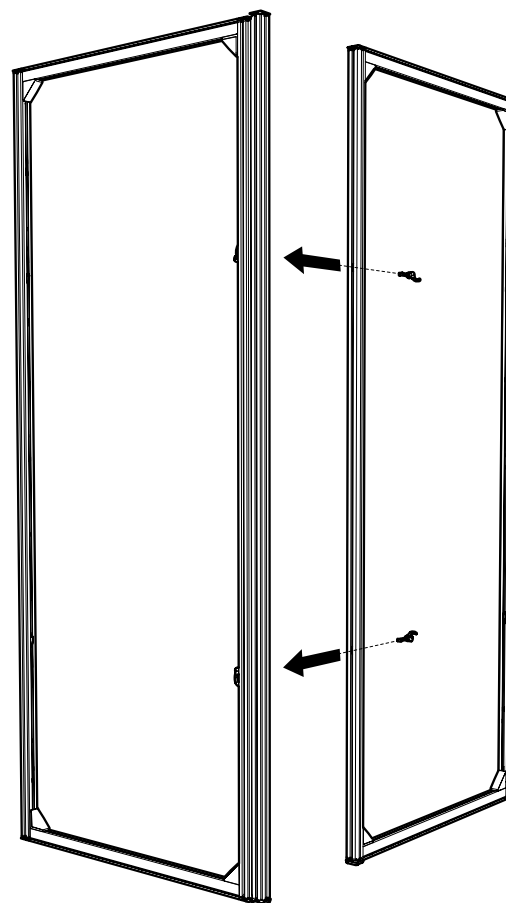
1 Identify



2 Attach



3 Connect



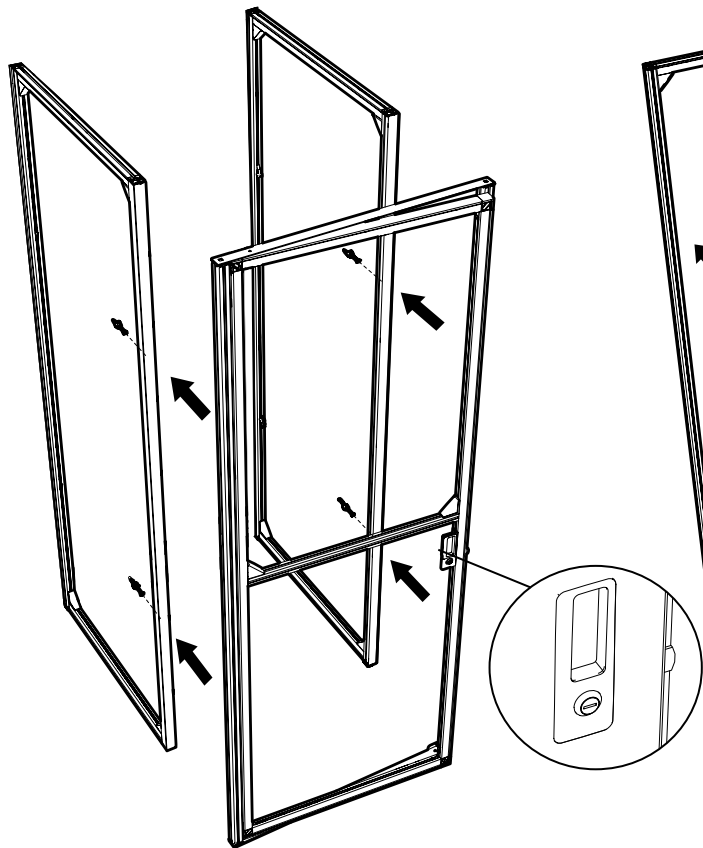
Storage Module (38x38) and Closet

panoramic®
h-line

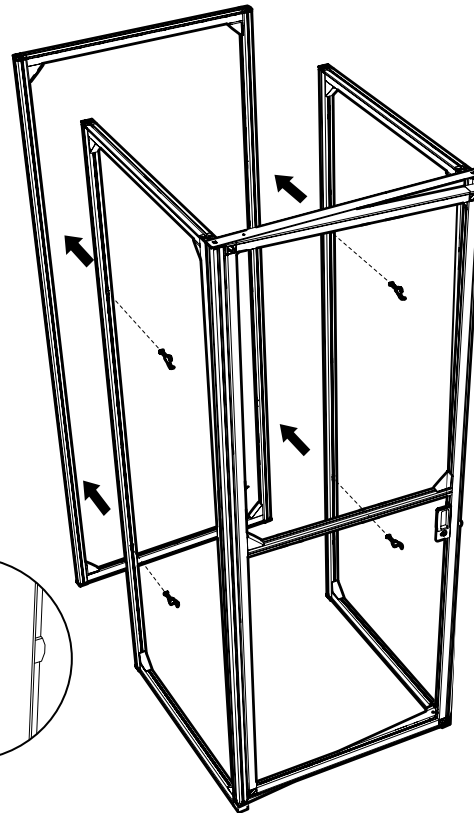
1 Attach the door


2 Connect the frames

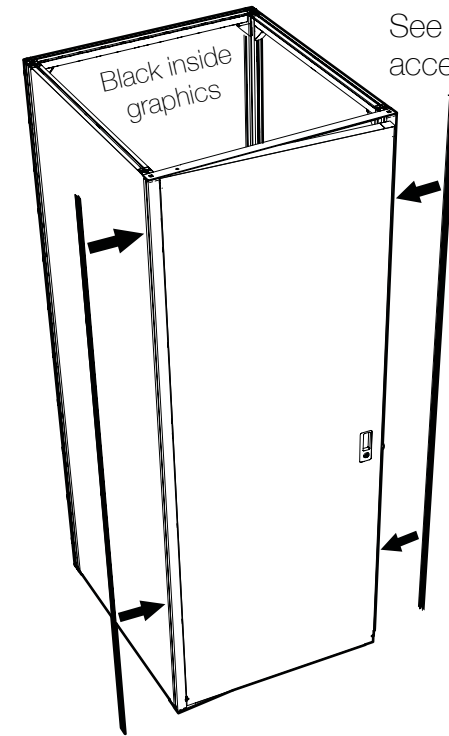
3 Snap profile covers into place



Open door

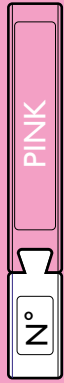
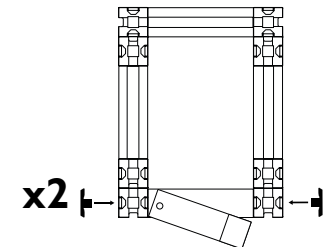


 Lock door for transport



Black inside graphics

See storage accessories (p25)



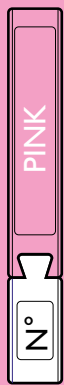
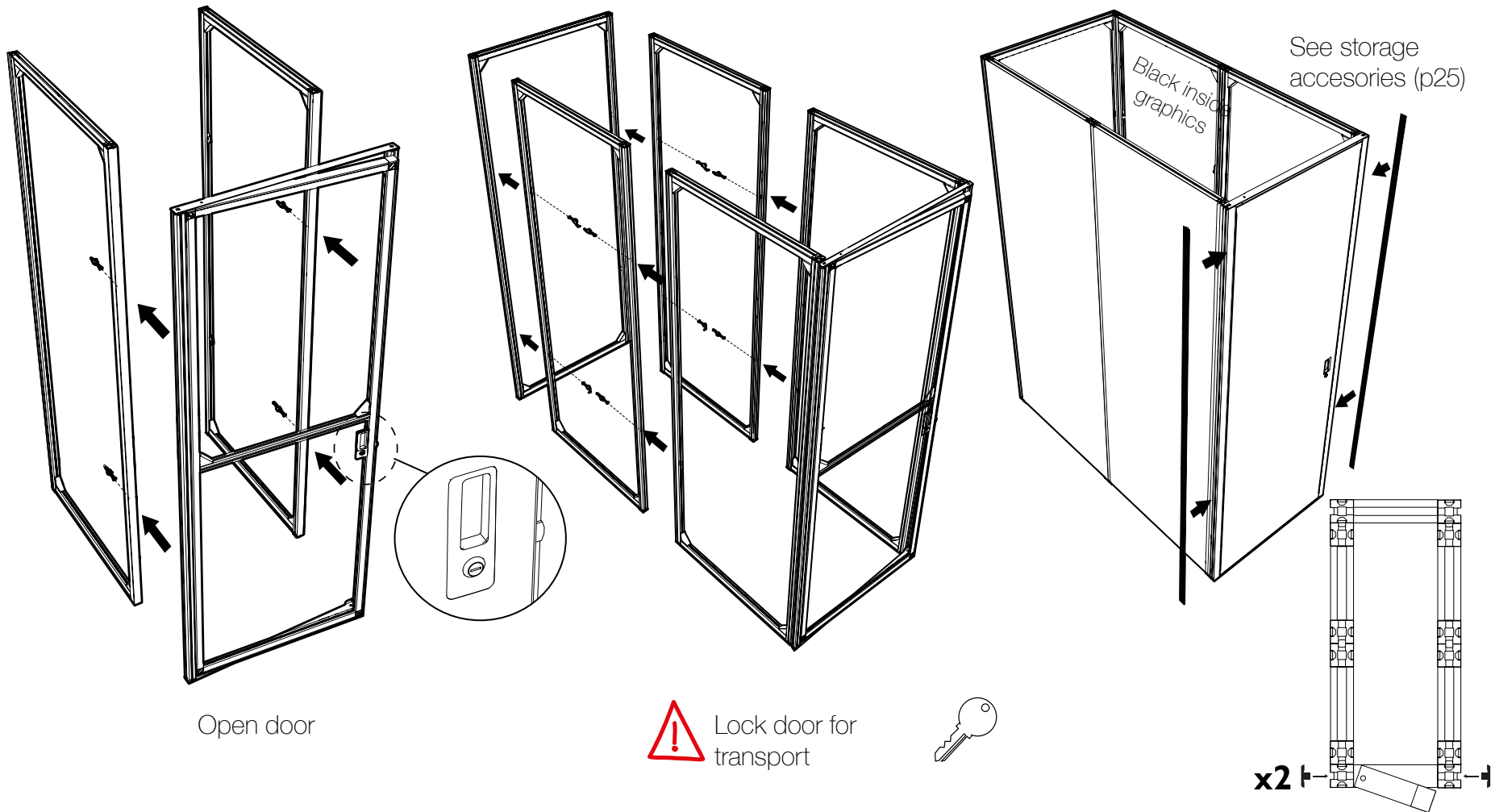
Storage Module (38x76)

panoramic®
h-line

1 Attach the door

2 Connect the frames

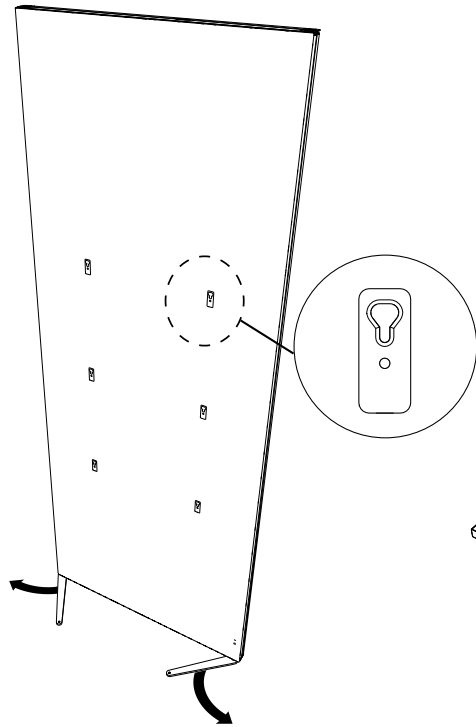
3 Snap profile covers into place



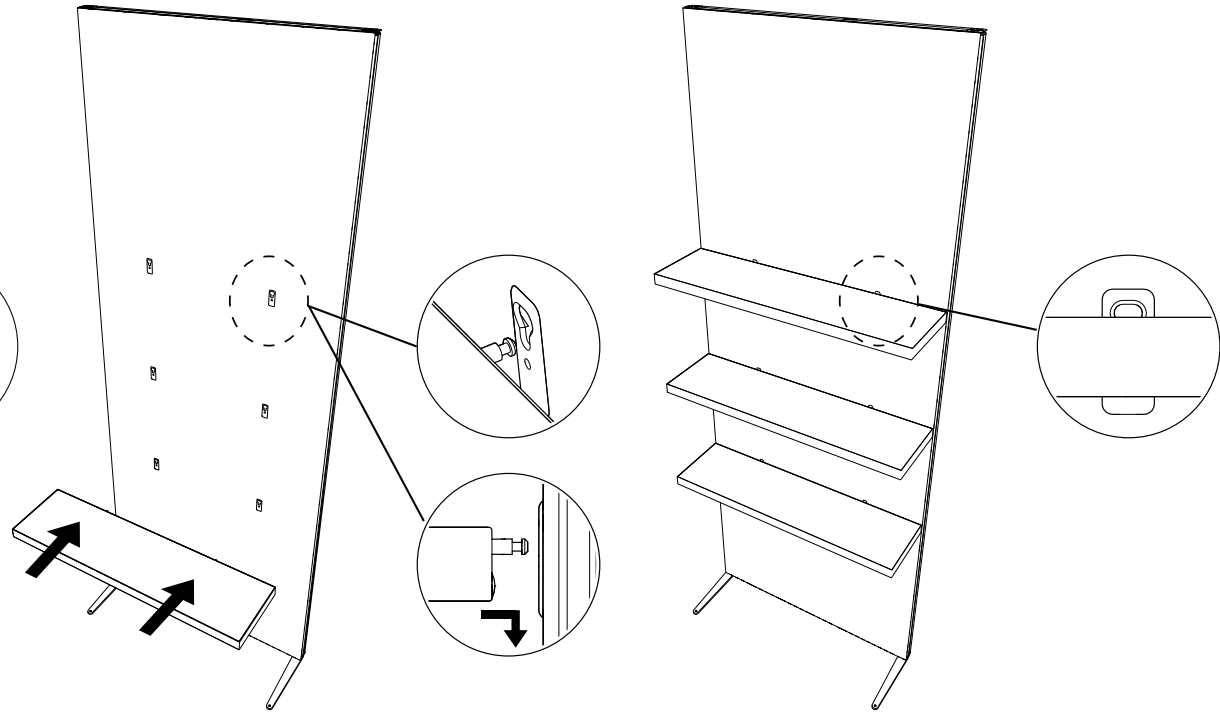
Shelving Module

panoramic®
h-line

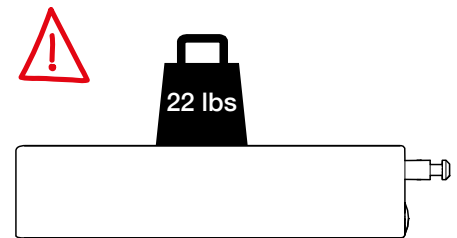
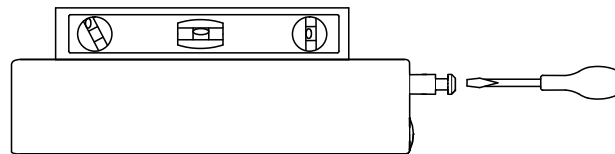
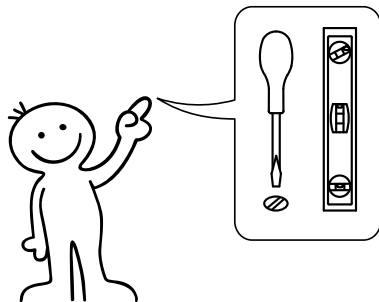
1 Rotate feet



2 Insert shelves



3 Adjust level



GREEN



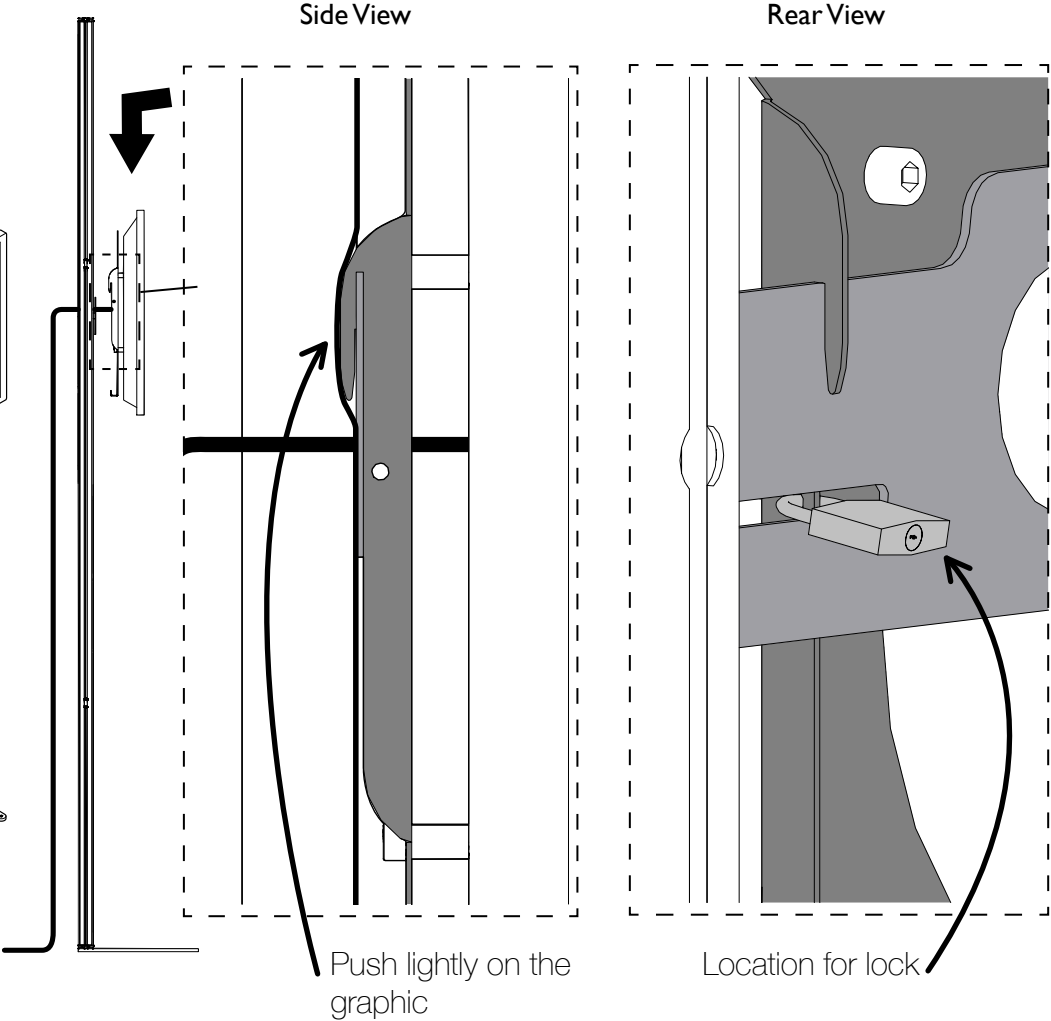
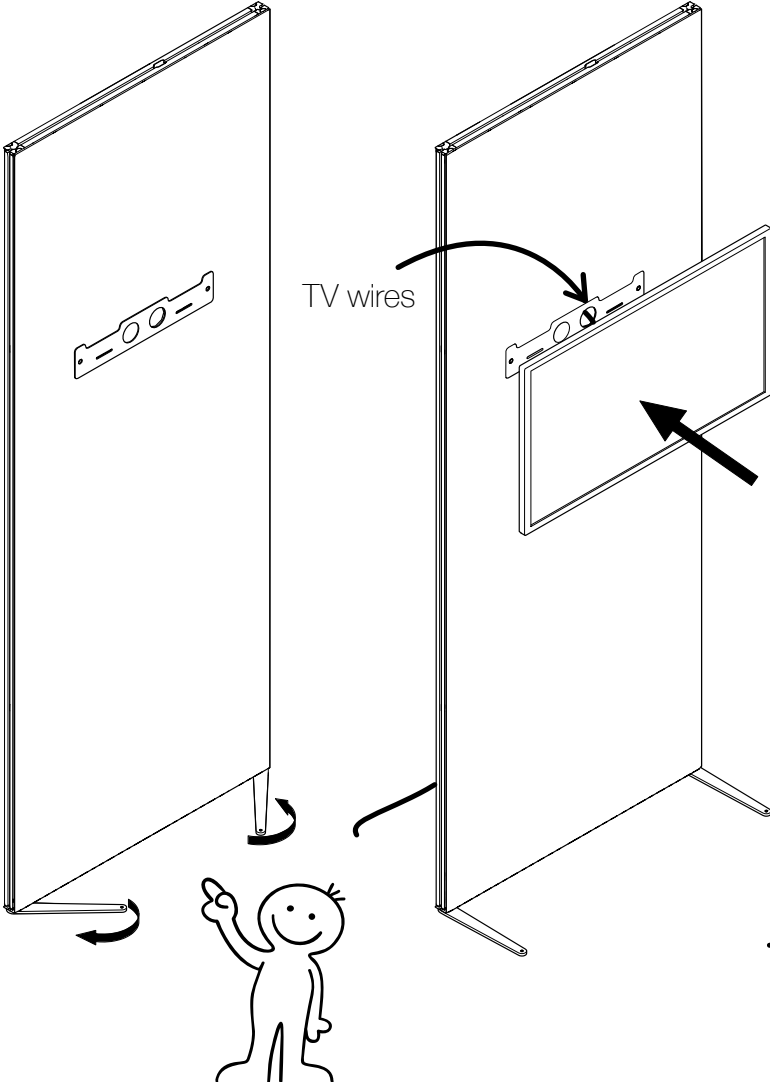
Multimedia Module

panoramic®
h-line

1 Rotate feet

2 Attach TV

3 Insert lock



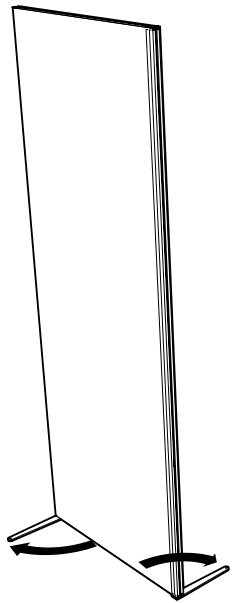
PURPLE

xl

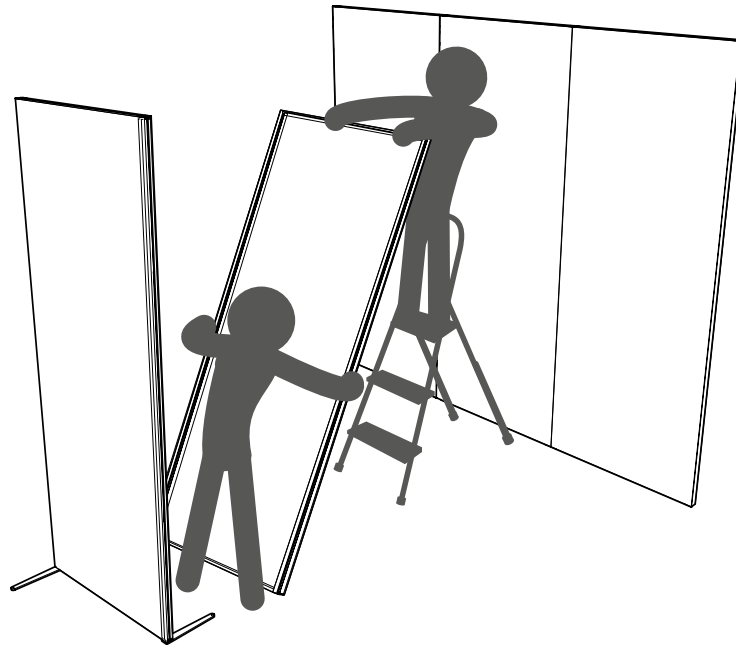
Arch Module 1/2

panoramic®
h-line

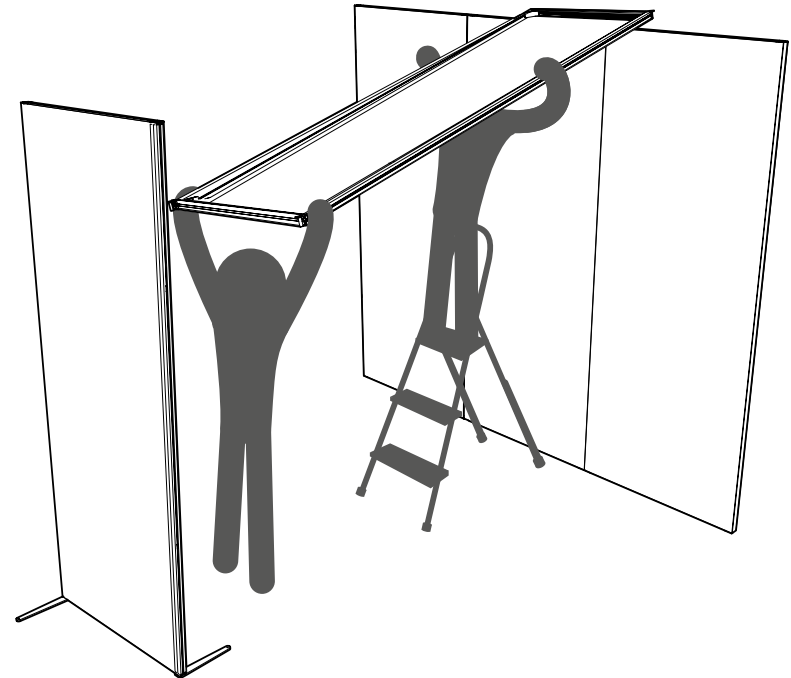
1 Rotate feet



2 Position yourself where the canopy will go



3 Place the canopy frame so that the edge straddles the vertical panel



DARK GREEN
N°

x2

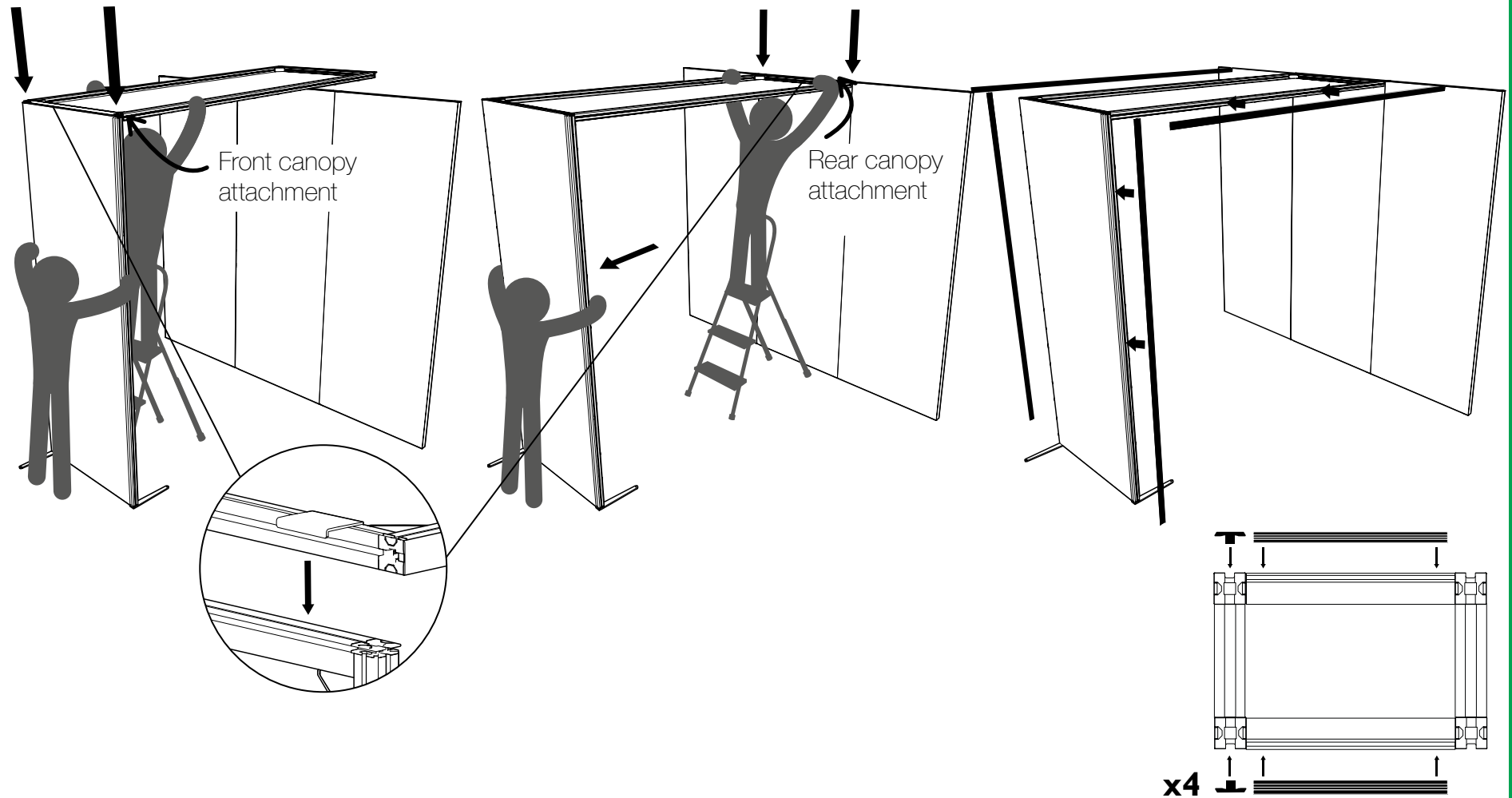
Arch Module 2/2

panoramic®
h-line

4 Connect

5 Position the arch

6 Snap profile covers into place



DARK GREEN

x2

Console Module

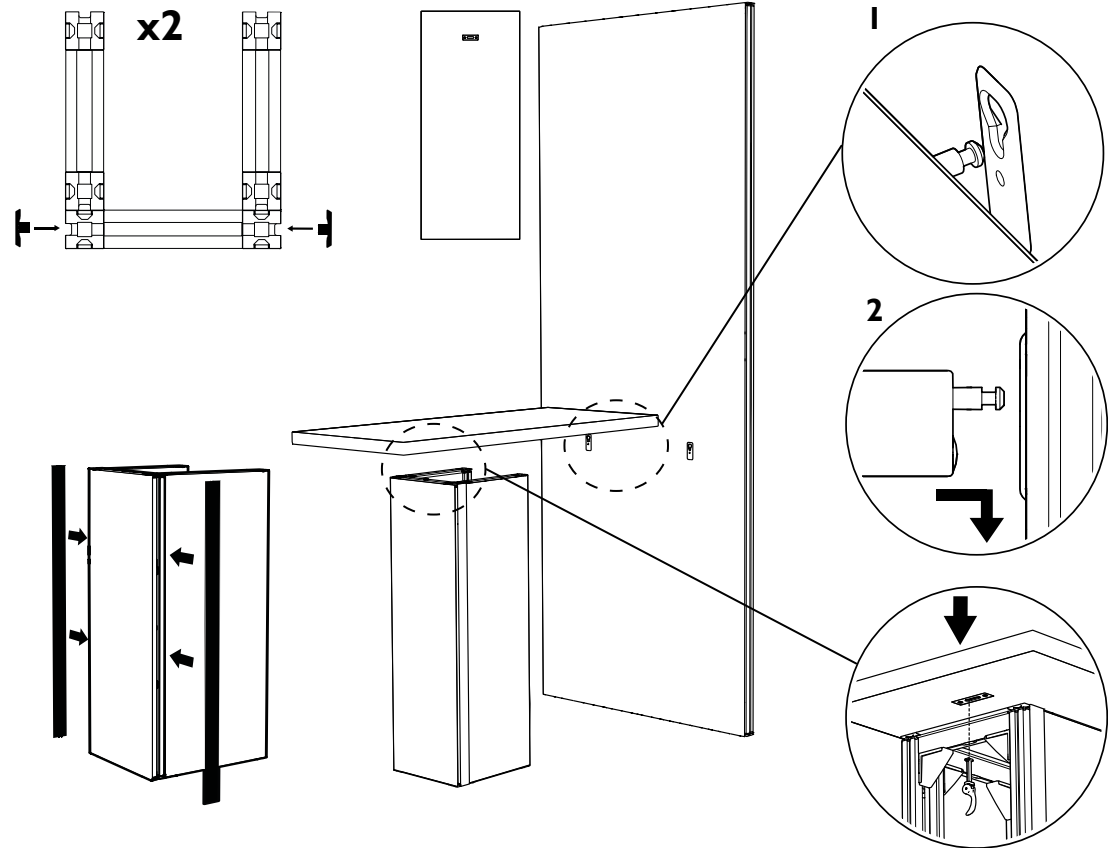
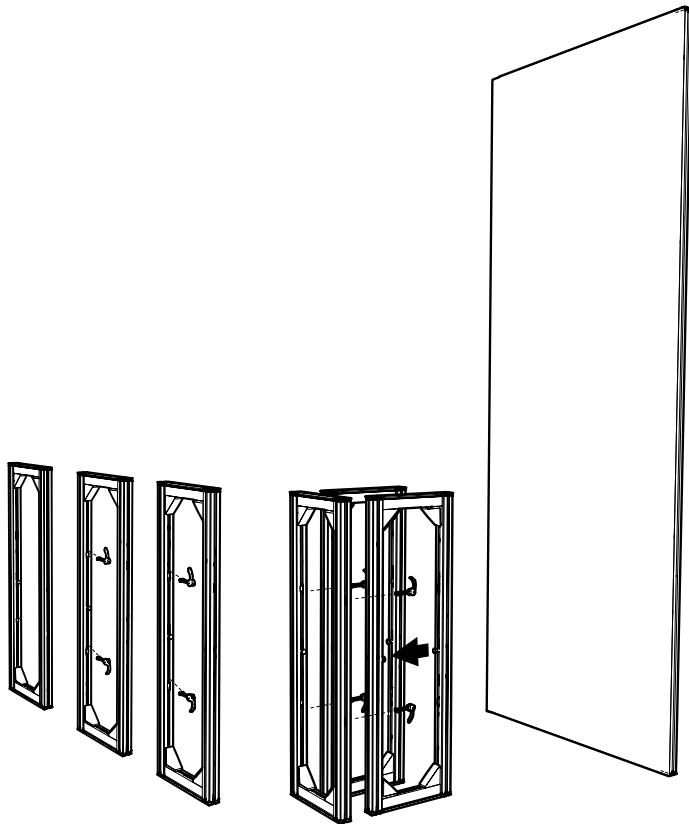
panoramic®
h-line

1 Disconnect the frames

2 Connect the frames

3 Snap profile covers into place

4 Insert console top
Attach console top



Transport position



Header Module 1/2

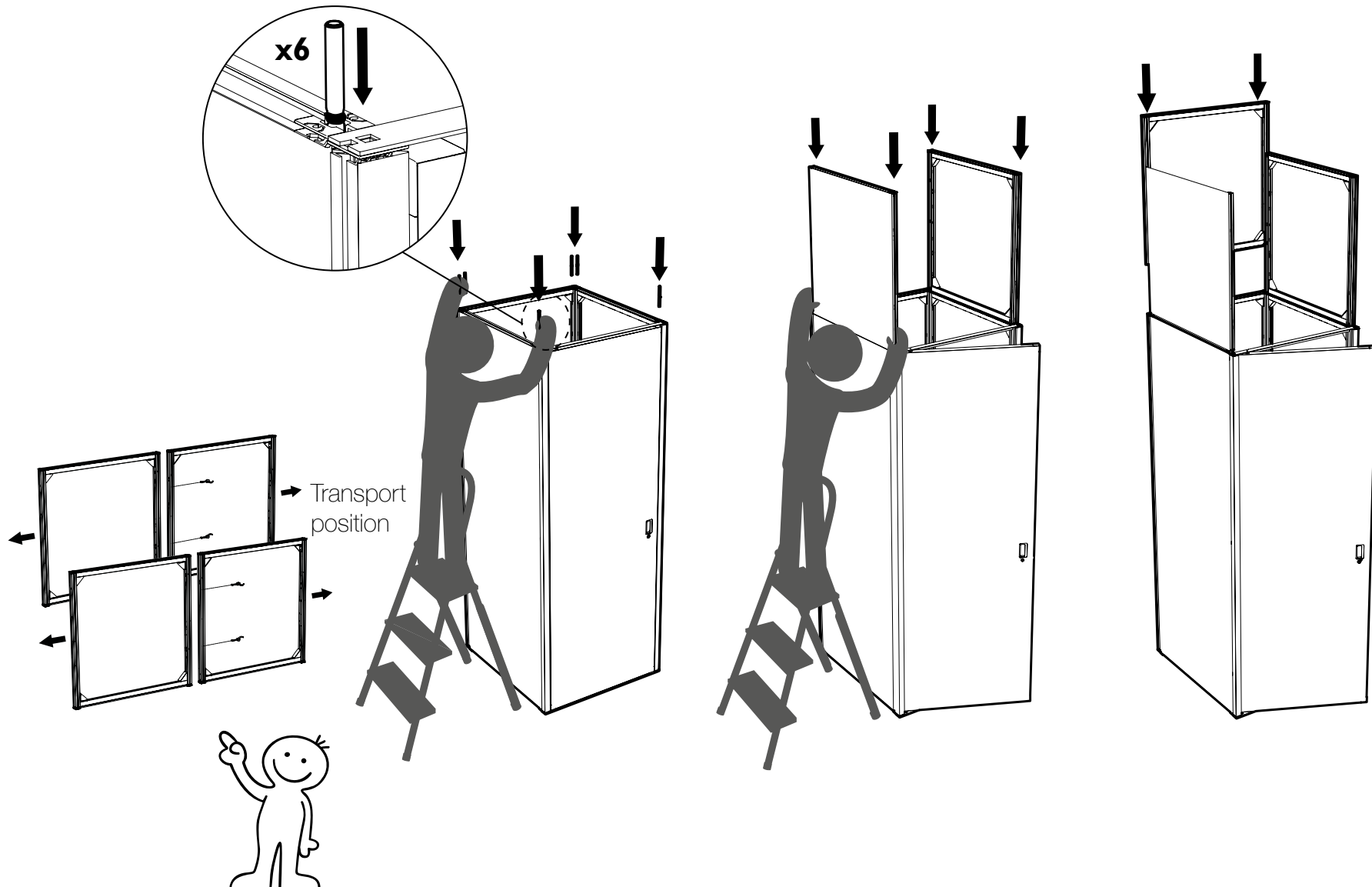
panoramic®
h-line

1 Disconnect the frames

2 Insert the connection tubes

3 Insert

4 Add



Header Module 2/2

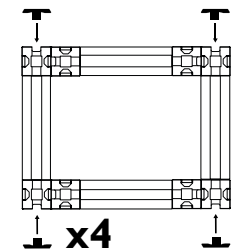
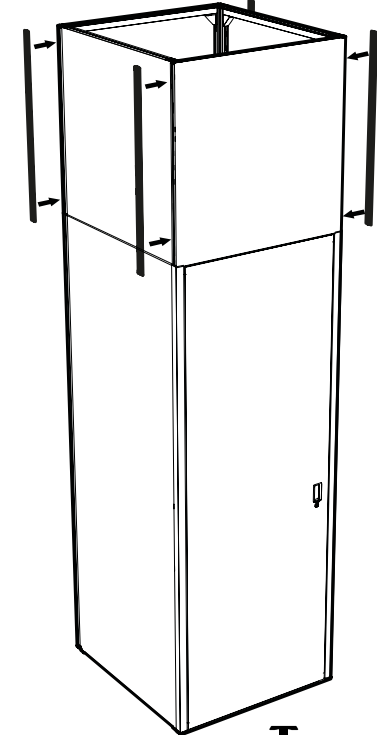
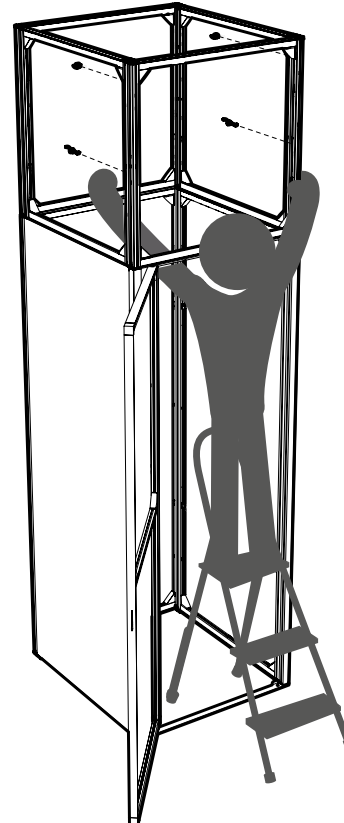
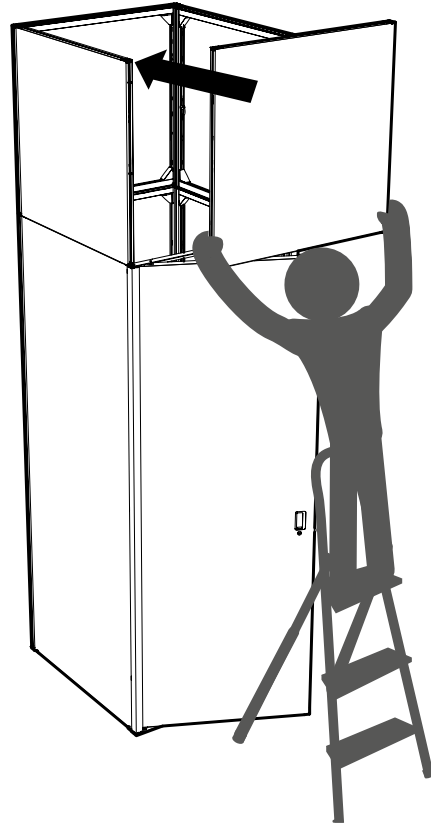
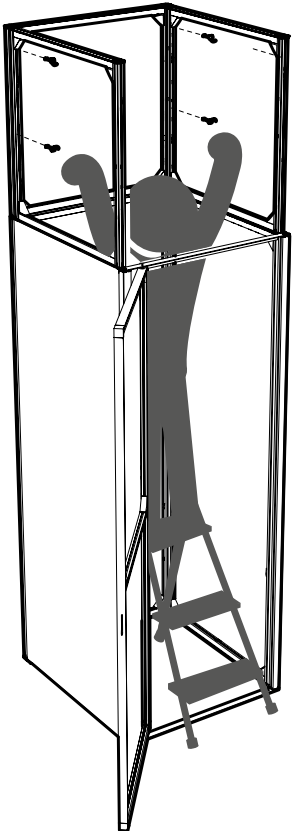
panoramic®
h-line

5 Lock

6 Position

7 Lock

8 Snap



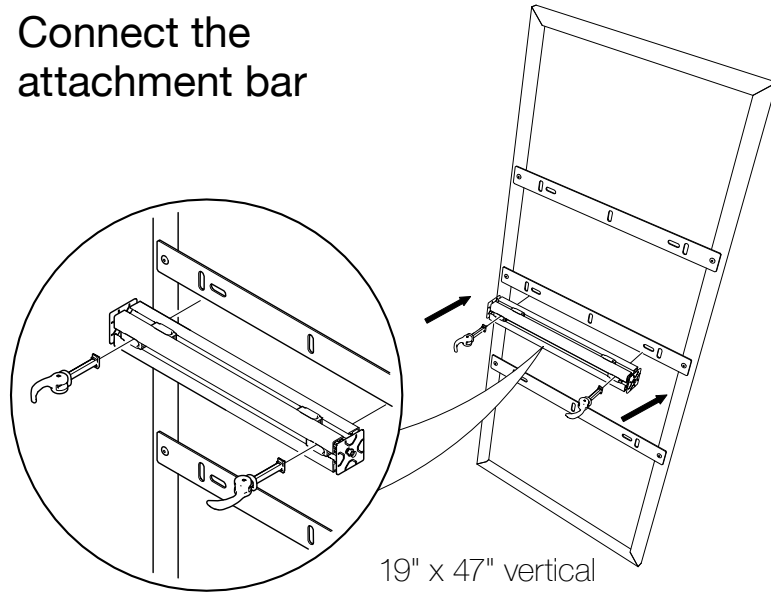
x1



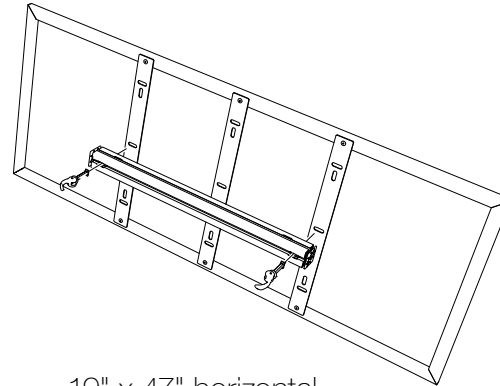
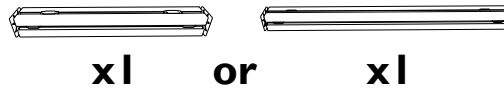
x8

Signage Module

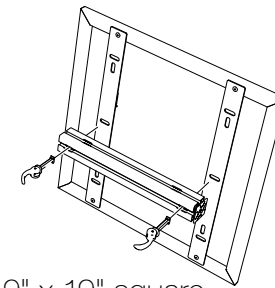
1 Connect the attachment bar



19" x 47" vertical rectangle

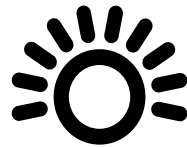
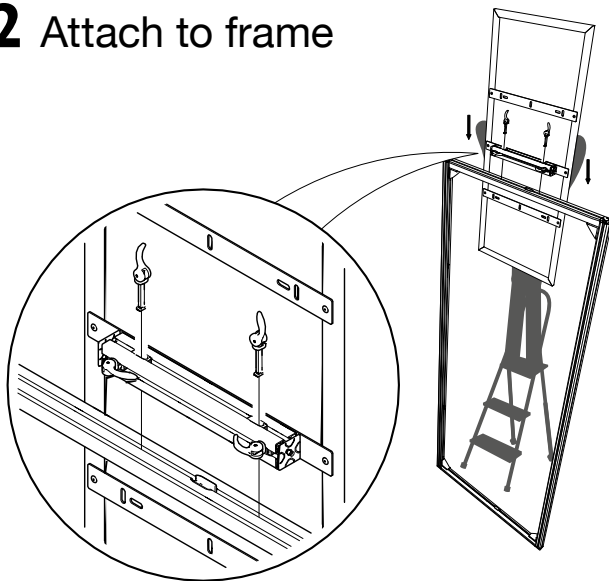


19" x 47" horizontal rectangle



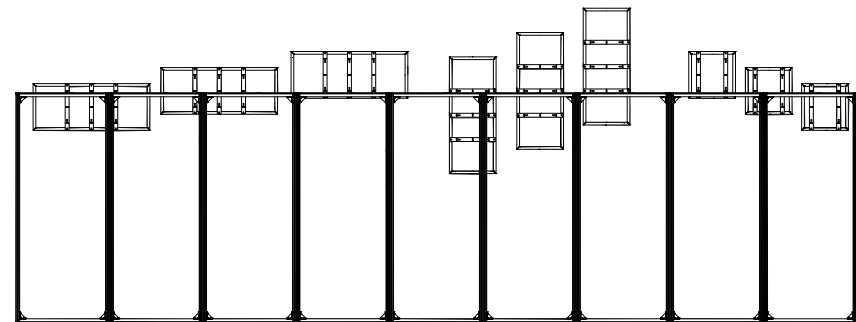
19" x 19" square

2 Attach to frame



For the backlit version, refer to page 27

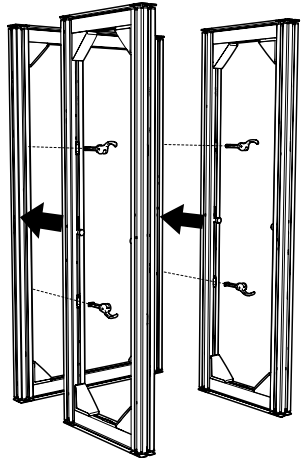
Different attachment positions



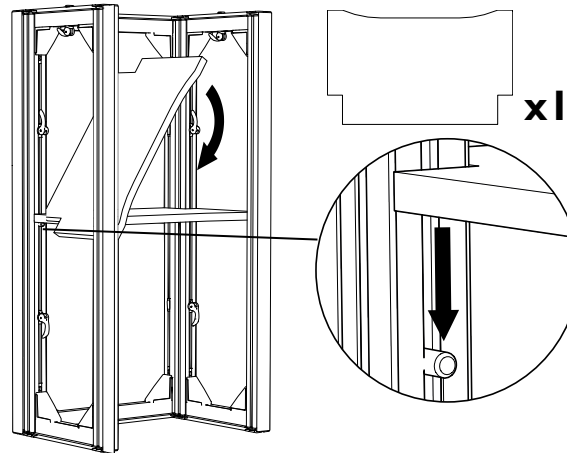
Counter Module

panoramic®
h-line

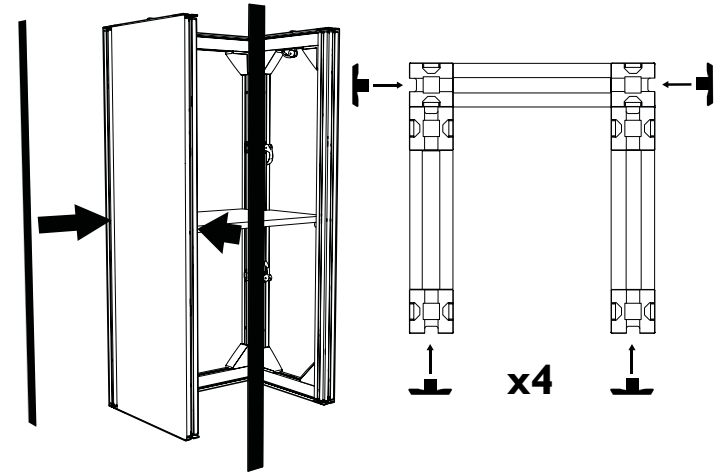
1 Connect at an angle



2 Position shelf

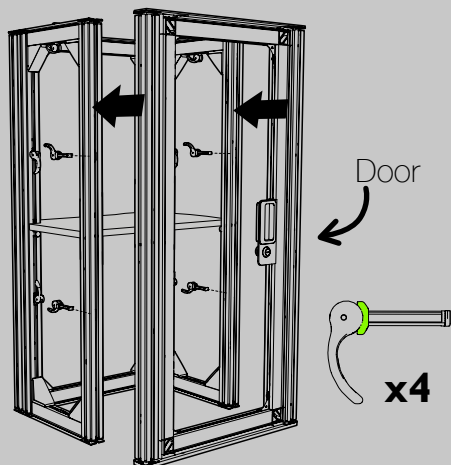


3 Snap profile covers into place

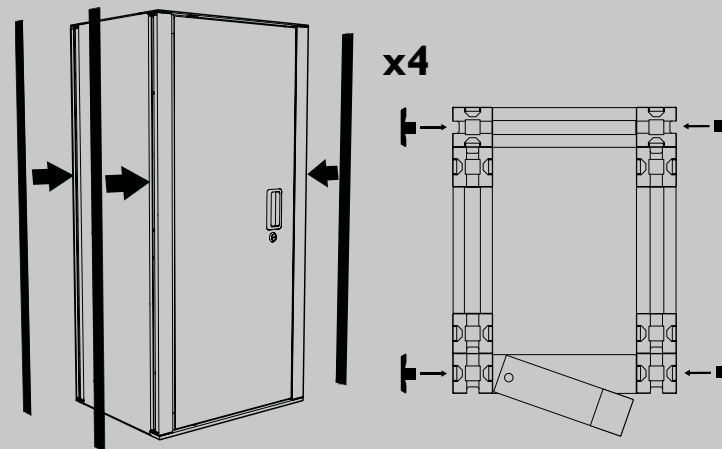


With door

3b Attach door

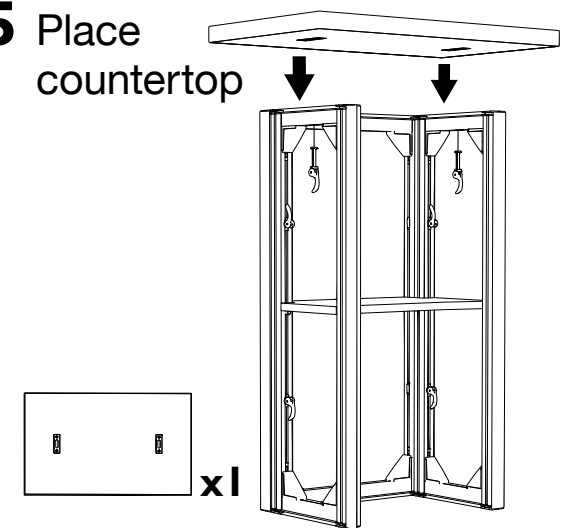


Snap profile covers into place



5 Place

countertop



BLUE
N°

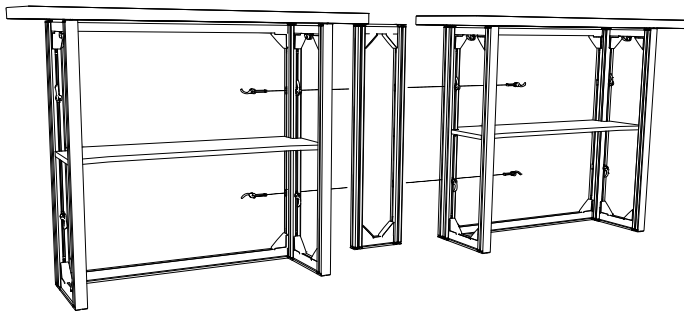
x1

x6

Connection module

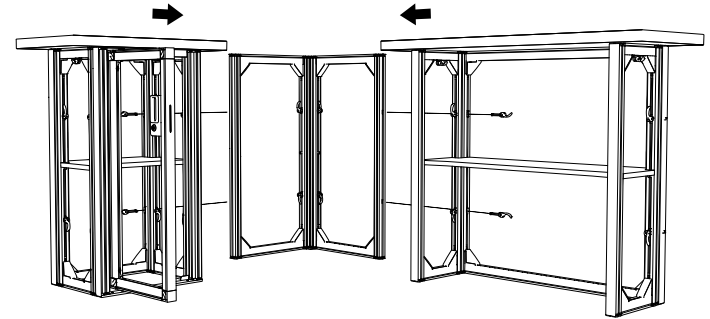
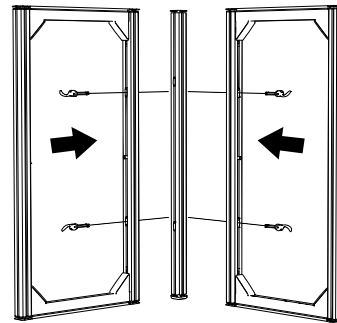
Double straight counter

Connect the two counters to the connection module

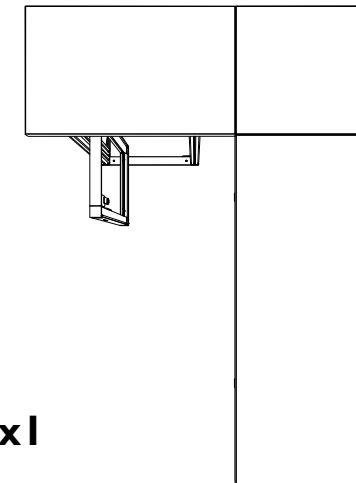
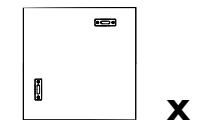
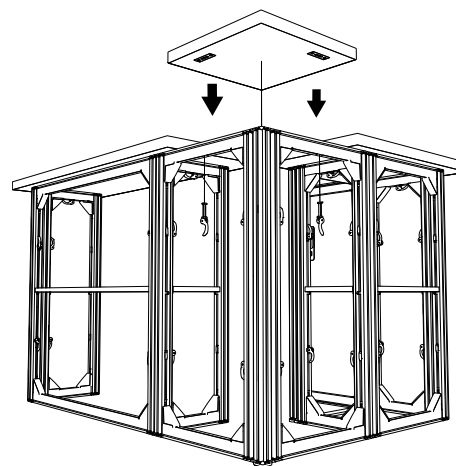
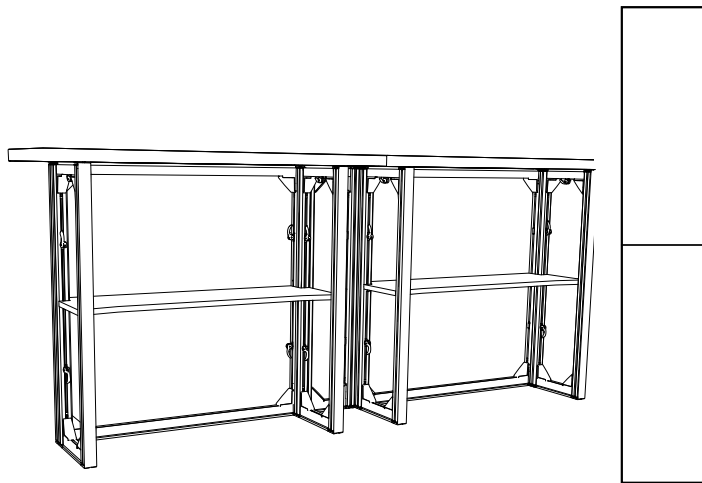


Double corner counter

1 Connect at an angle **2** Connect the counters

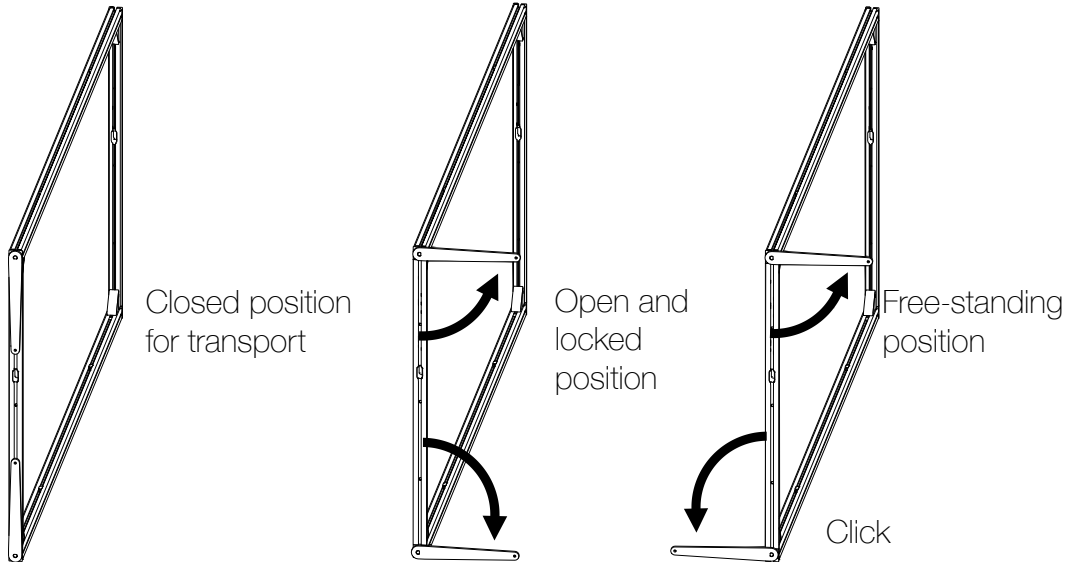


3 Place the countertop

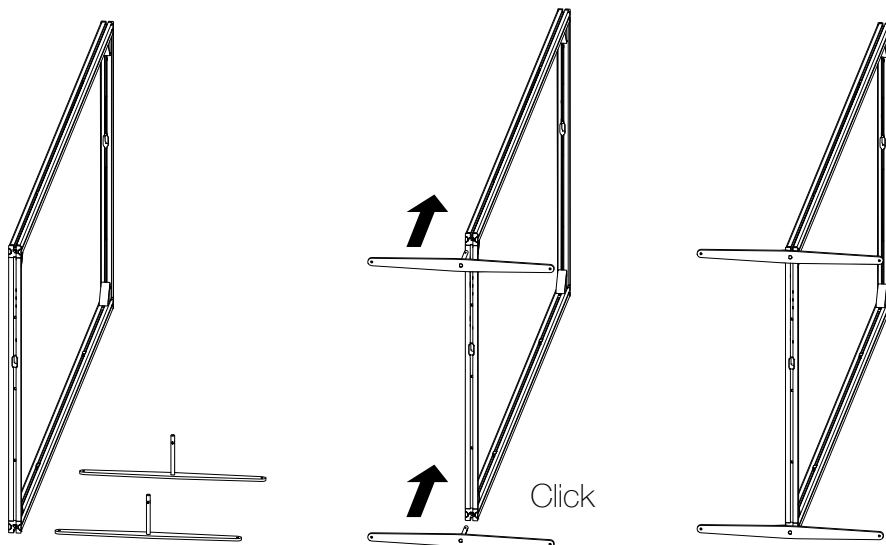


Finishing Touches

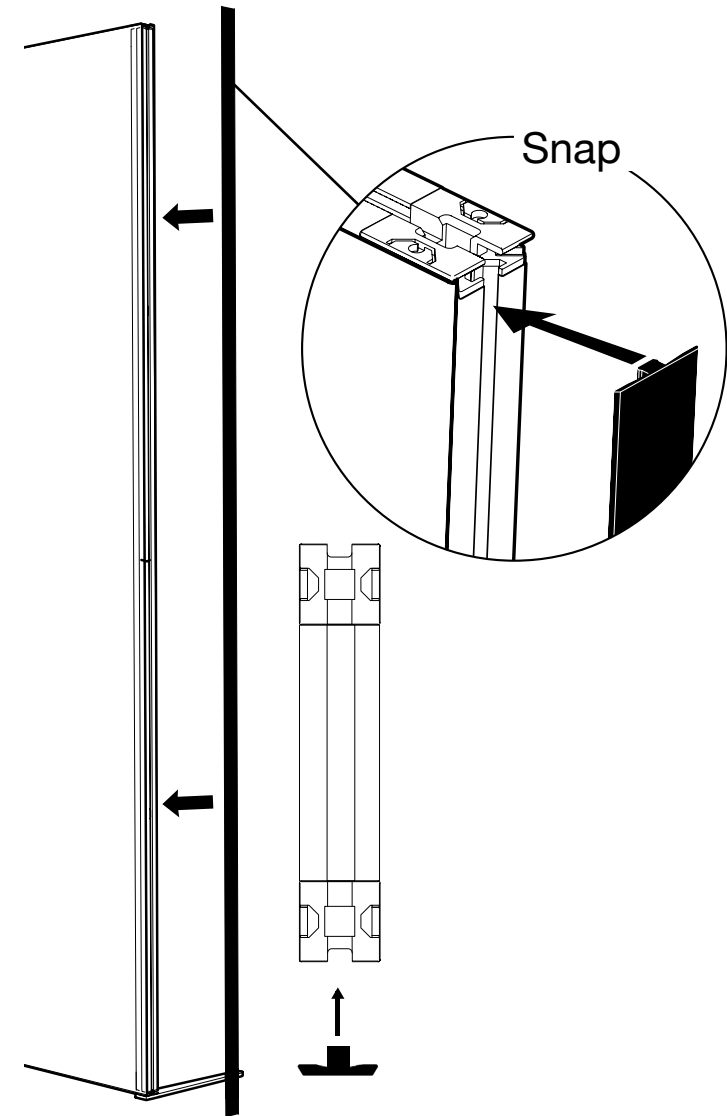
Single-sided feet



Double-sided feet

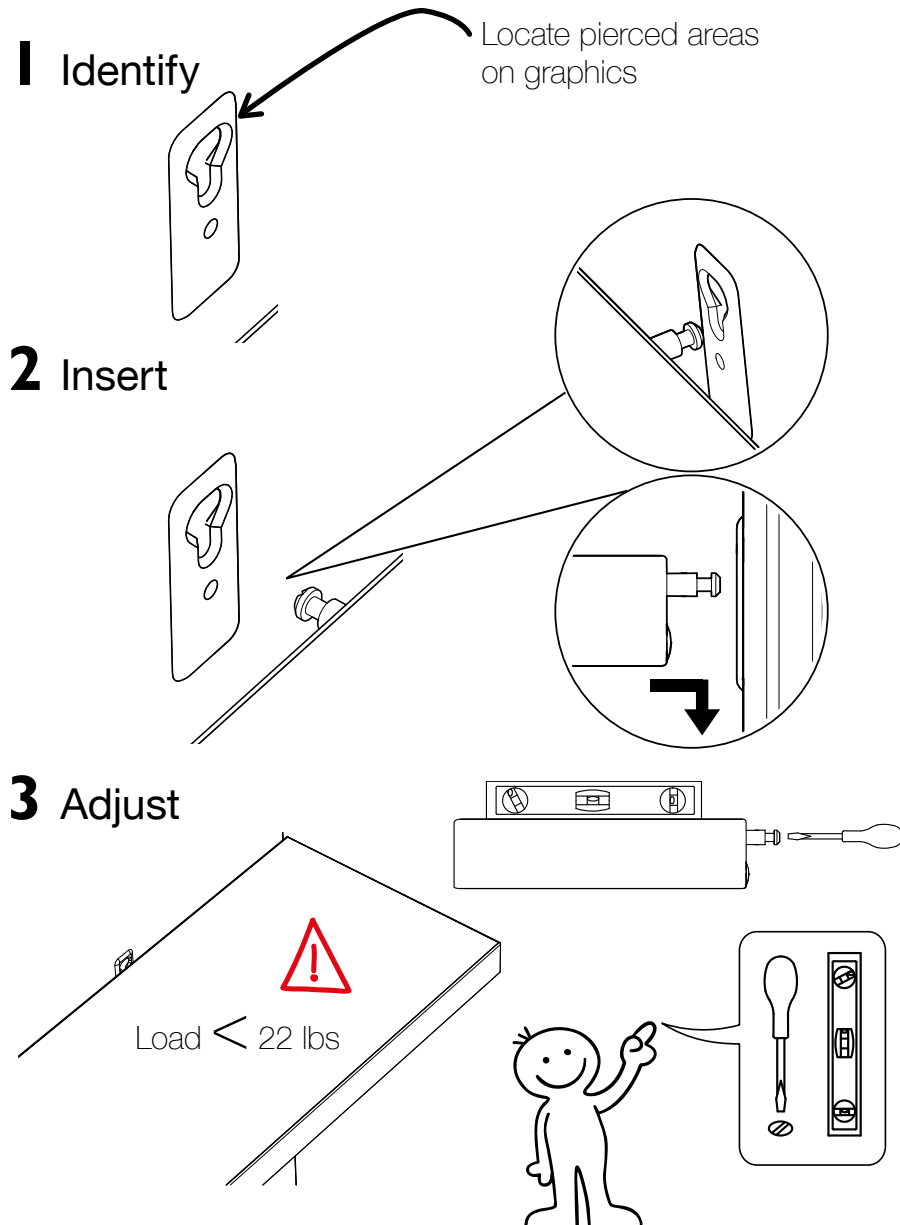


Profile covers

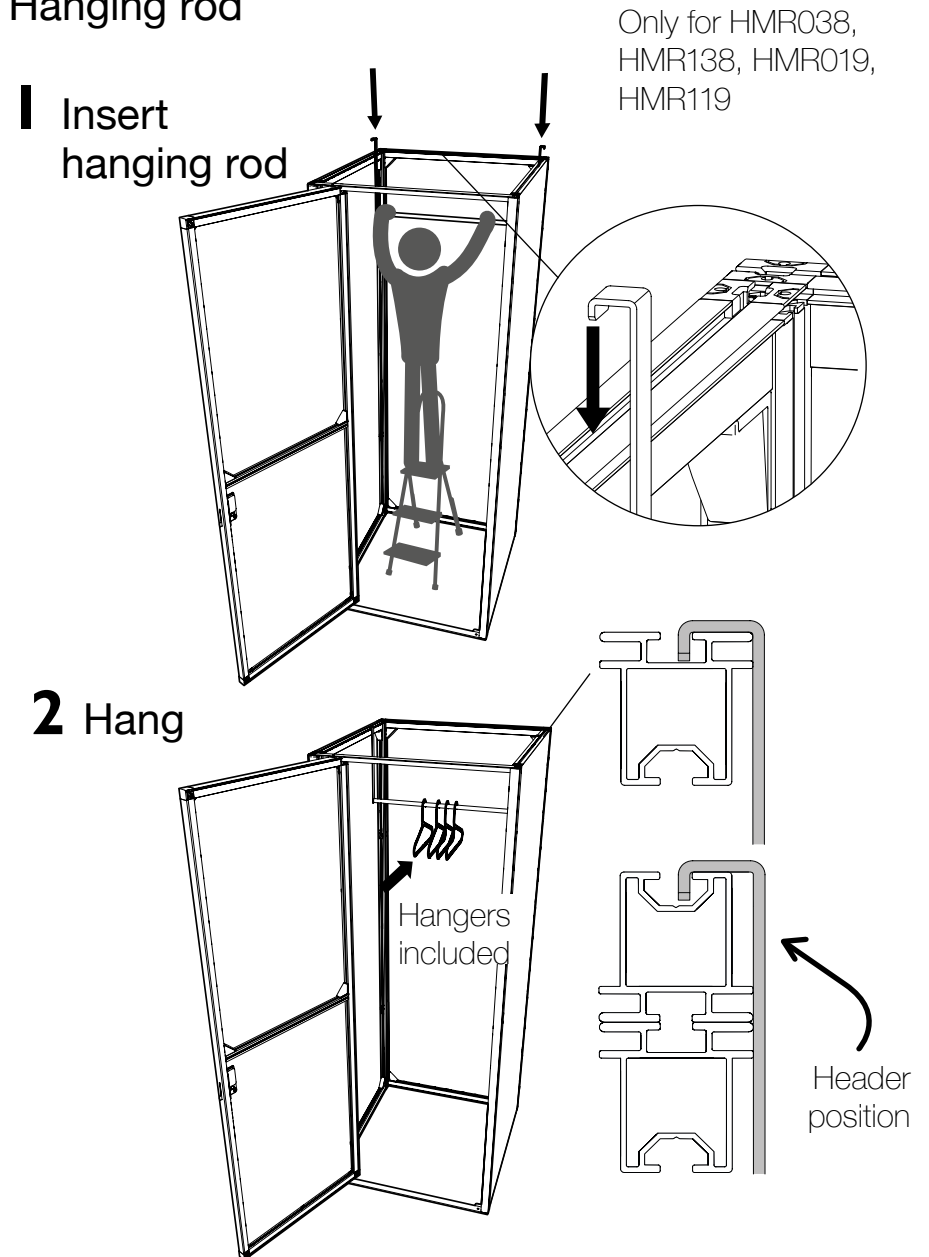


Finishing Touches

Shelves

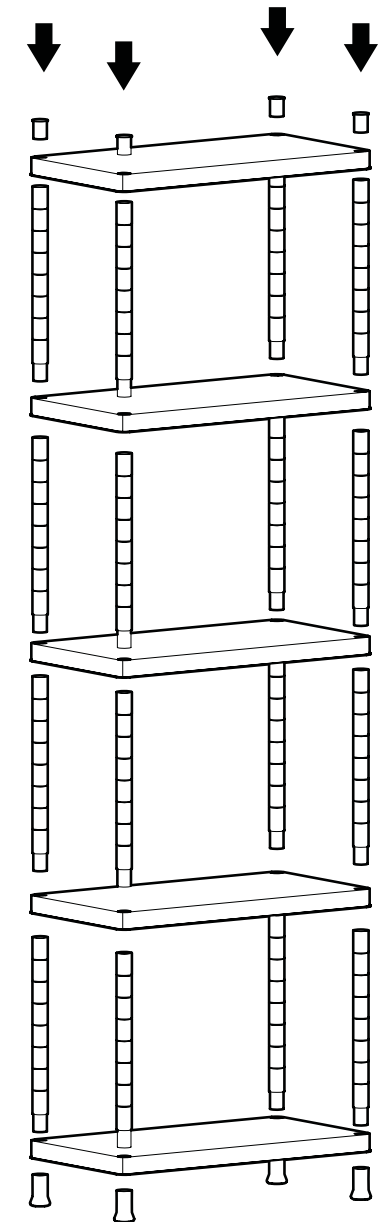


Hanging rod

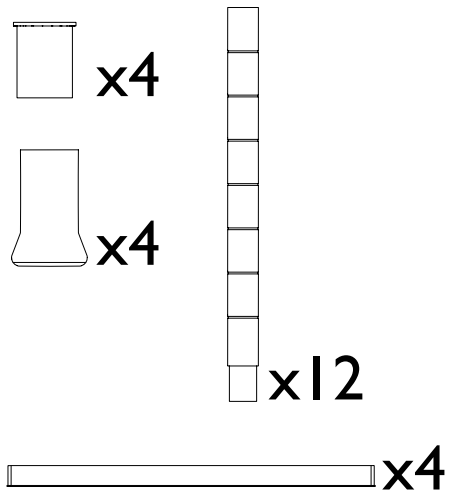


Finishing Touches

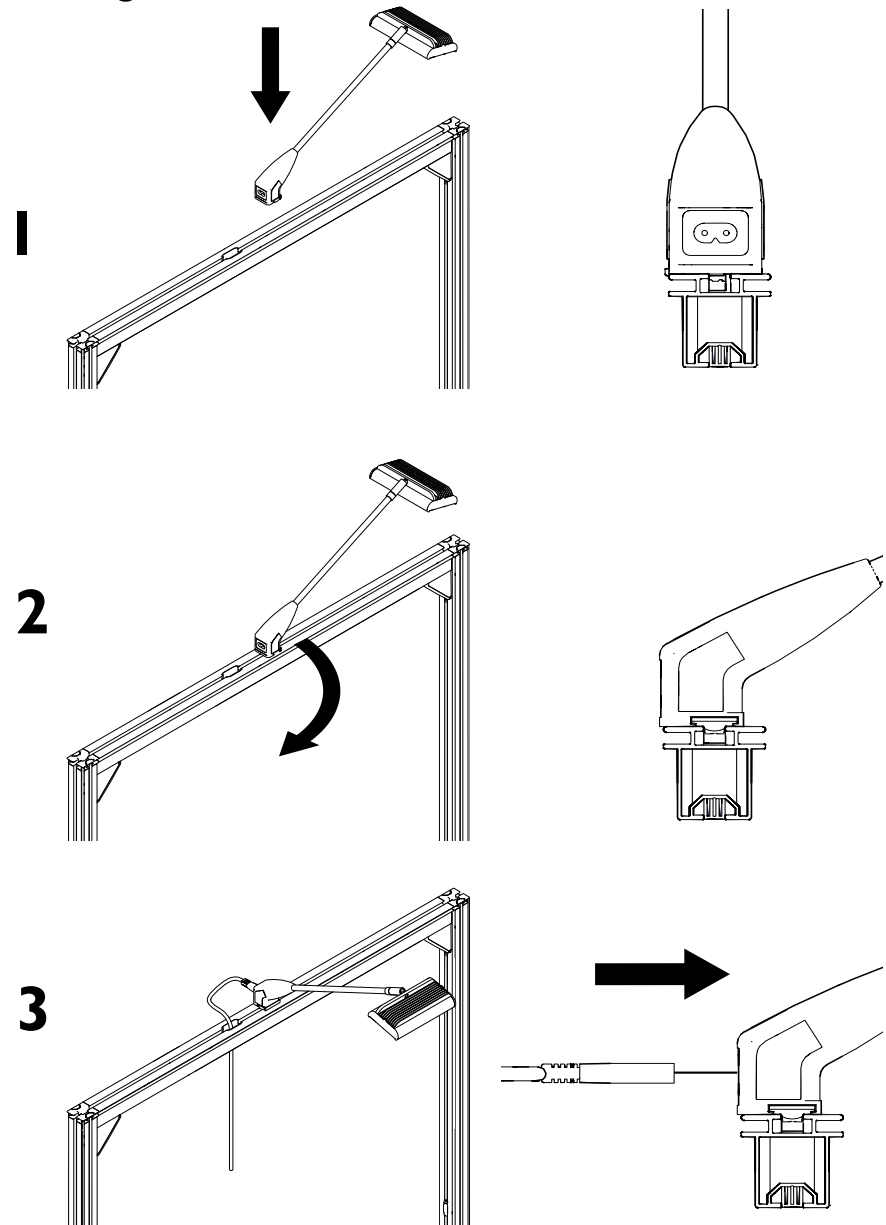
Free-standing shelves



Assemble

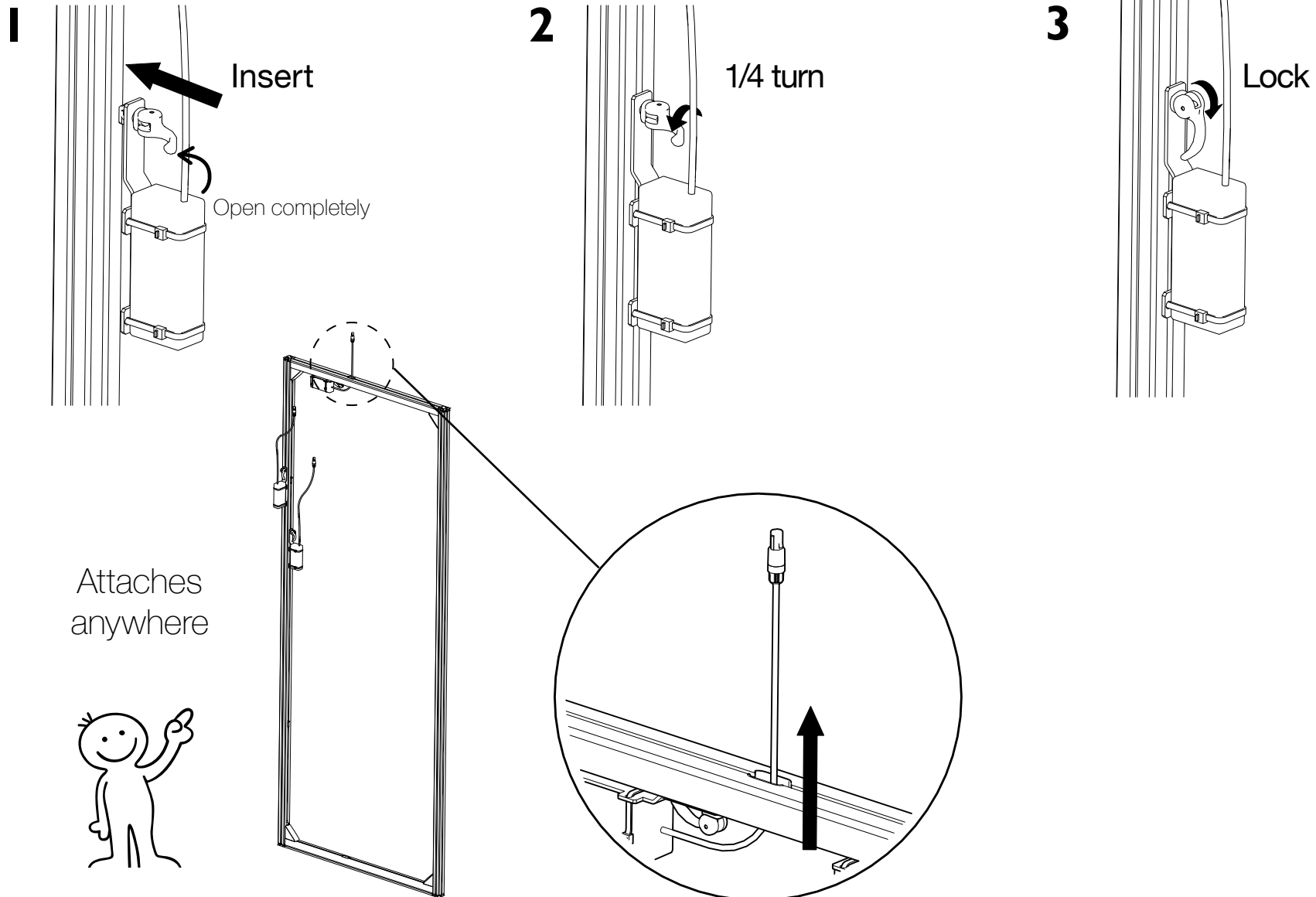


LED light



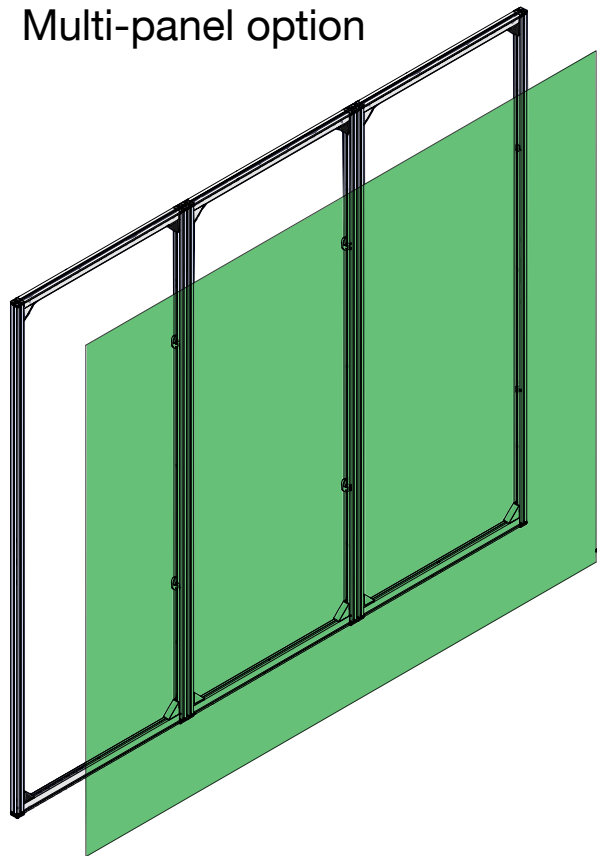
Finishing Touches

Power supply attachment for backlit signage module ⚡



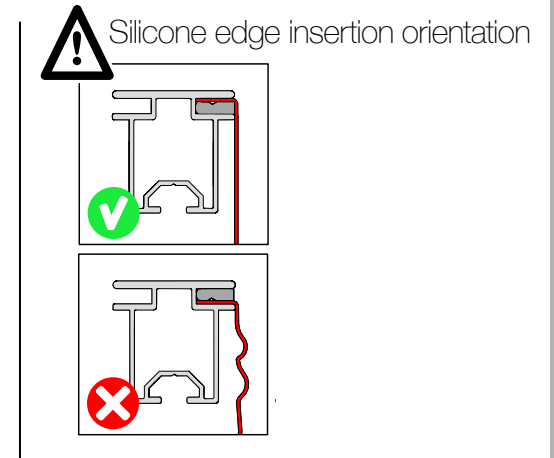
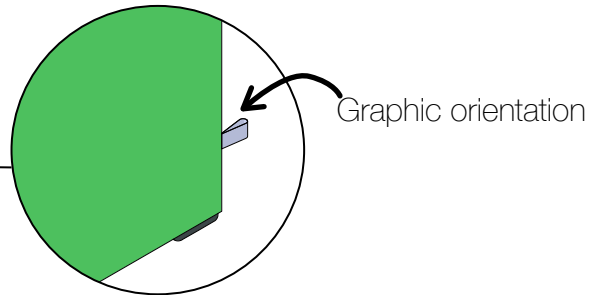
Graphics

Multi-panel option

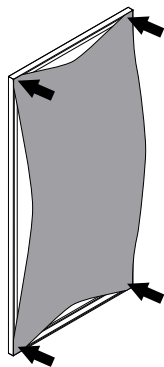


For: changing graphics
rear graphics
or multi-panel options

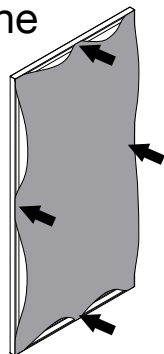
Ensure that your frames are connected and the
extremities are free



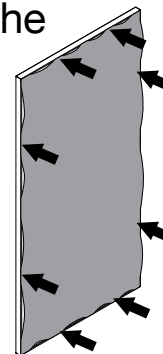
1 Position
corners



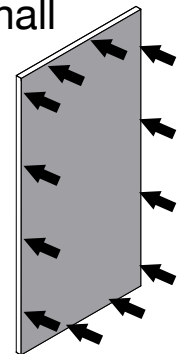
2 Insert silicone
edges in
the center



3 Repeat at the
center of
each
segment



4 Finish with small
pushes



Demand the original

panoramic®
h-line

This will guarantee that you are in compliance with the fireproofing standards of your country

