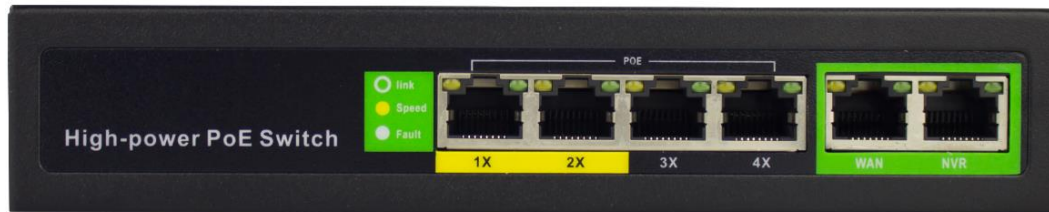




PoE-2006-4E(65W)

Unmanaged Fast-Ethernet Switch with PoE injector



The PoE switch support IEEE802.3af/at POE standard, using advanced sensing algorithm, only for the terminal device which support the IEEE802.3af/at.

Design of high performance to price ratio, compact, flexible, EC series is the ideal choice of small business network to economical use of PoE deployment of wireless access point (AP) and IP camera.

Description:

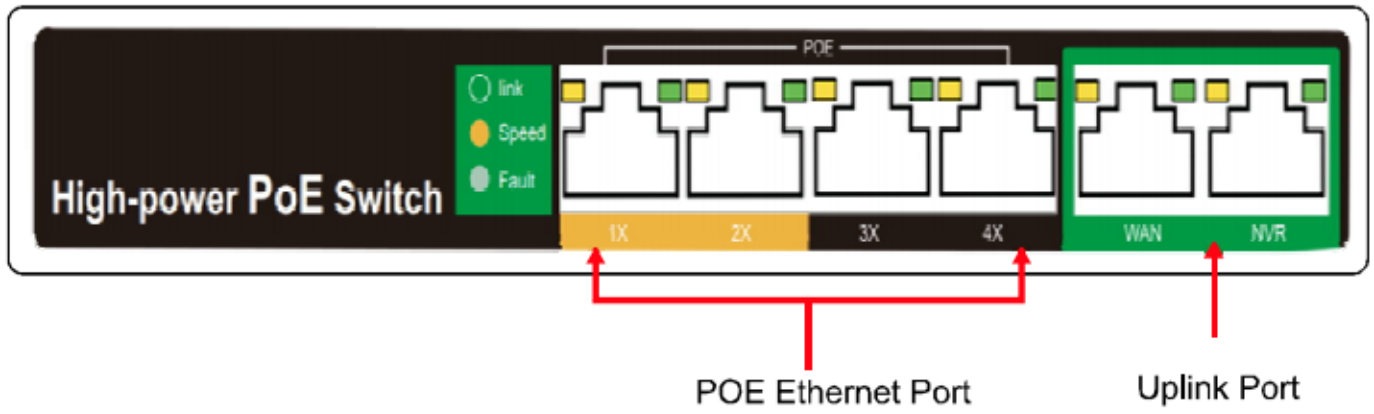
Features:

- ✧ The Max distance of power supply is 300 meters.
- ✧ 6 10/100M adaptive RJ45 port, 4 port with PoE function.
- ✧ Each port supports auto MDI/MDIX and auto negotiation.
- ✧ Store and forwarding, support port isolation.
- ✧ Support two lightning of uplink port.
- ✧ Support IEEE 802.3x Full-Duplex and Backpressure Half-Duplex.
- ✧ Support IEEE802.3af/at standards, can provide 15.4W/30W per port.
- ✧ Automatic detection and recognition PD device which in accordance with IEEE 802.3af/at and power supply for the device.
- ✧ Intelligent power management, if the electrical equipment power exceeds the normal power output, the system will cut off power supply of the port, after 1-2 minutes, it will reexamination and power supply.
- ✧ Low power consumption, no fan design, natural heat.



Specification

Port and performance		PoE	
RJ45 Port	<ul style="list-style-type: none"> • Port number: 6 • POE port number: 4 • Port type: RJ45 adaptive • Port rate: 10/100M • Cable type: CAT5 or better 	PoE	<ul style="list-style-type: none"> • support IEEE802.3af/at (15.4W/30W)
Protocol standard	<ul style="list-style-type: none"> • IEEE 802.3 i 10 BASE-T; • IEEE 802.3 u 100 BASE-TX; • IEEE 802.3 x Flow Control; • IEEE 802.3 af/at Power over Ethernet 	PoE power supply parameters	<ul style="list-style-type: none"> • single port: 15.4W/30W • MAX Power: 65W Serials
		Power supply mode	<ul style="list-style-type: none"> • data line 1/2 (+), 3/6 (-); spare line 4/5 (+), 7/8 (-) optional
Performance specification	<ul style="list-style-type: none"> • Store and forwarding • Backplane bandwidth: 1G • Transfer mode: Full-Duplex or Half-Duplex adaptive • Addressing: 48 bit MAC address • Mac Address Table: 1K • Network delay: 100Mbps to 100Mbps, less than 20ms under 64byte frame 	Power supply distance	<ul style="list-style-type: none"> • Maximum power distance with CAT5 UTP: 100meters,
		Environment and specifications	
		Authentication	<ul style="list-style-type: none"> • CE/LVD
LED indicator	<ul style="list-style-type: none"> • Each Port: ACT、LINK indicator • Each Device: Power and PoE indicator 	Electromagnetic compatibility	<ul style="list-style-type: none"> • Working temperature: 0~55 °C; • storage temperature: -20~70 °C • working humidity: 10%~90%, no condensation; • storage humidity: 5%~95%, no condensation
		Power	<ul style="list-style-type: none"> • DC 52W/1.5A
Port protection	<ul style="list-style-type: none"> • Meet IEC61000-4-2 (ESD) ± 15KV(air), ±8KV(contanc) and can bear energy of 8/20us 24A (12A) 	Size (L * W *H)	<ul style="list-style-type: none"> • 118mm*89mm*25mm (6 ports)
		Warranty	<ul style="list-style-type: none"> • 1 year



Back board

