



Apache Ultrasound System is designed to be used by healthcare professionals in a professional healthcare environment. Read User Manual for full instructions, symbol glossary and safety information:
<https://acohealthcare.com/downloads/>

Manufacture: *Aco Healthcare Co., Ltd.*

Email: *service@acohealthcare.com*



Quick Start Guide

Apache Ultrasound System

Model : neo C62, neo L154, neo L187, neo P42, neo P3H

© 2020 Aco Smartcare
www.acohealthcare.com

All right reserved. No part of this publication may be reproduced or used in any form, or by any electrical or mechanical means, without permission in writing from Aco Smartcare. This includes electronic or mechanical means, such as photocopying, recording, or information storage and retrieval systems.



FAQ

Product Overview

Product Overview

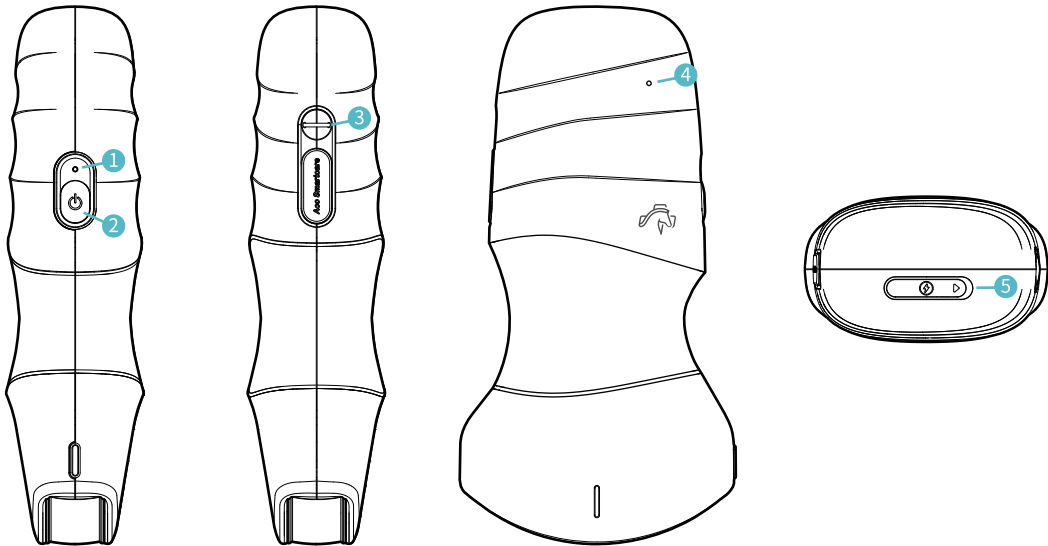
| ① System Status Indicator

| ② Power Key

| ④ Charging Status Indicator

| ③ Lanyard hole

| ⑤ Type-C Charging Port



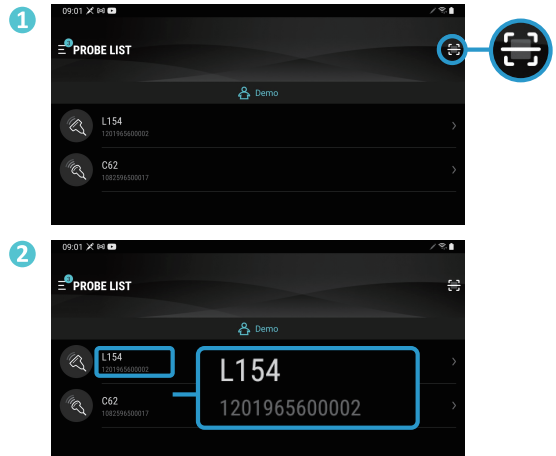
Probe Connection Instruction

3 Step3:Way to connect the probe

Please use either one of the methods for device pairing.

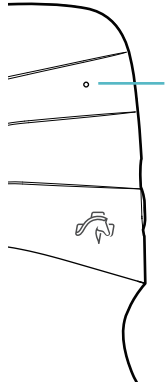
- 1 Scan the barcode printed on the probe rear cover.
- 2 Select the probe on the probe list shown in the app.

*Note: Please always complete the "Add New Probe" procedure for the first use.



Indicator Description

Charging Status Indicator



Blinking White:
when battery
capacity $\geq 20\%$



Blinking Yellow-Orange:
when battery
capacity $< 20\%$



Steady White:
Charging completed

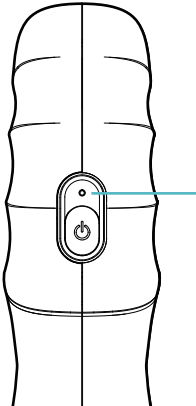


Fast blinking (2s):
battery low

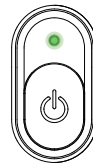


**Blinking yellow
orange and white:**
battery abnormal

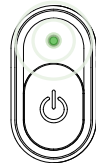
System Status Indicator



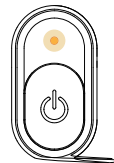
Fast blinking green:
ready for connection



Steady green: device
connects with mobile device



Slow blinking green:
booting



Steady yellow:
system abnormal

Probe Connection Instruction

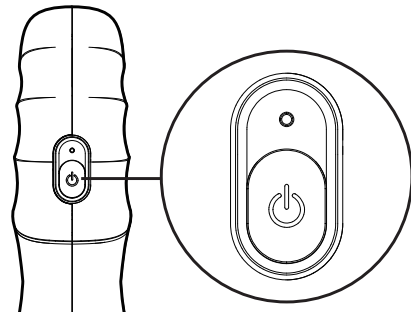
1 Step1: Turn on Wi Fi on your mobile/table

- 1 Ensure Wi-Fi has been enabled on your device



2 Step2: Power on probe

Power on your probe and wait for 20 seconds to enter "ready for connect" status.

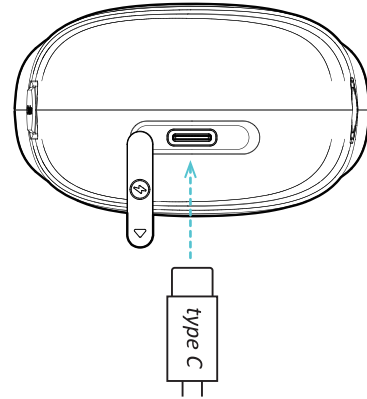


Hardware Setting

1 Step1: Charge device

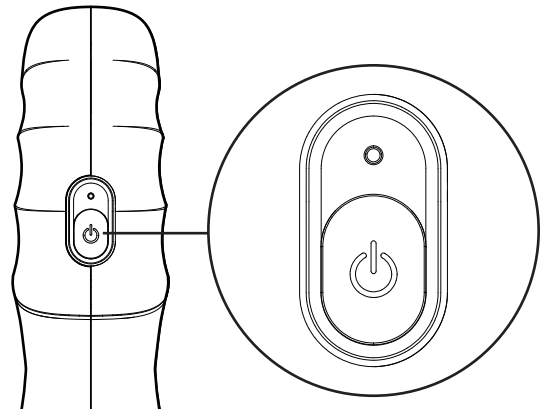
Please charge 30 minutes before start using your device.

*Note: Please always use IEC60601 certified charger for device charging.



2 Step2: Power on/off

- 1 Long press 1 second to power on your device.
- 2 Long press for 3 seconds to power off your device.



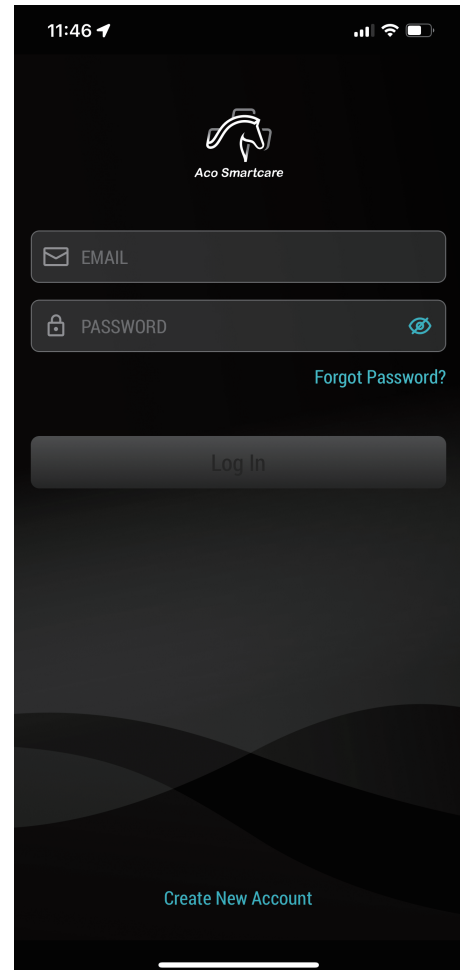
User Account Registration

1

Step1: Create New Account

Please click on "Create New Account" and complete your account registration.

***Note:** Please ensure you have completed account registration before connecting to mobile device.



Install Apache App

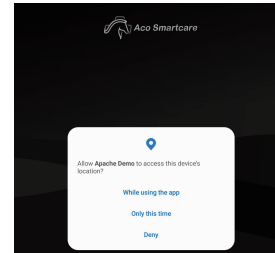
1 Step1: Download App

Please scan the barcode as shown with your tablet or mobile devices.

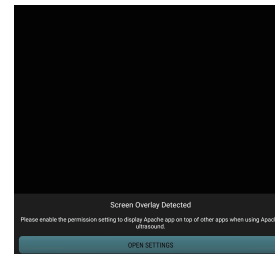


2 Step2: App configuration for Android

Please enable "Location" and "Overlay" setting while installing Apache App on Android.



Location: Please enable location by clicking "while using this app".



Overlay: Please enable overlay setting for "Apache App".