

SNOOC

LIGHTING CREATOR



VIMONT

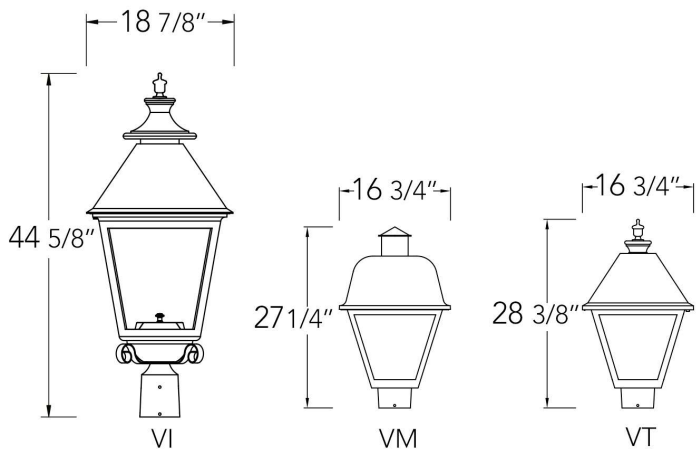
A light, a world of possibilities



Vimont

LUMINAIRE COMPONENTS

- Cast aluminum body and finial.
- Cast aluminum converter housing and cover for heat dissipation.
- Hinged mechanism for quick and easy lamp access.
- Porcelain enameled socket with medium or goliath base.
- IP66 certified optics.



WARRANTIES

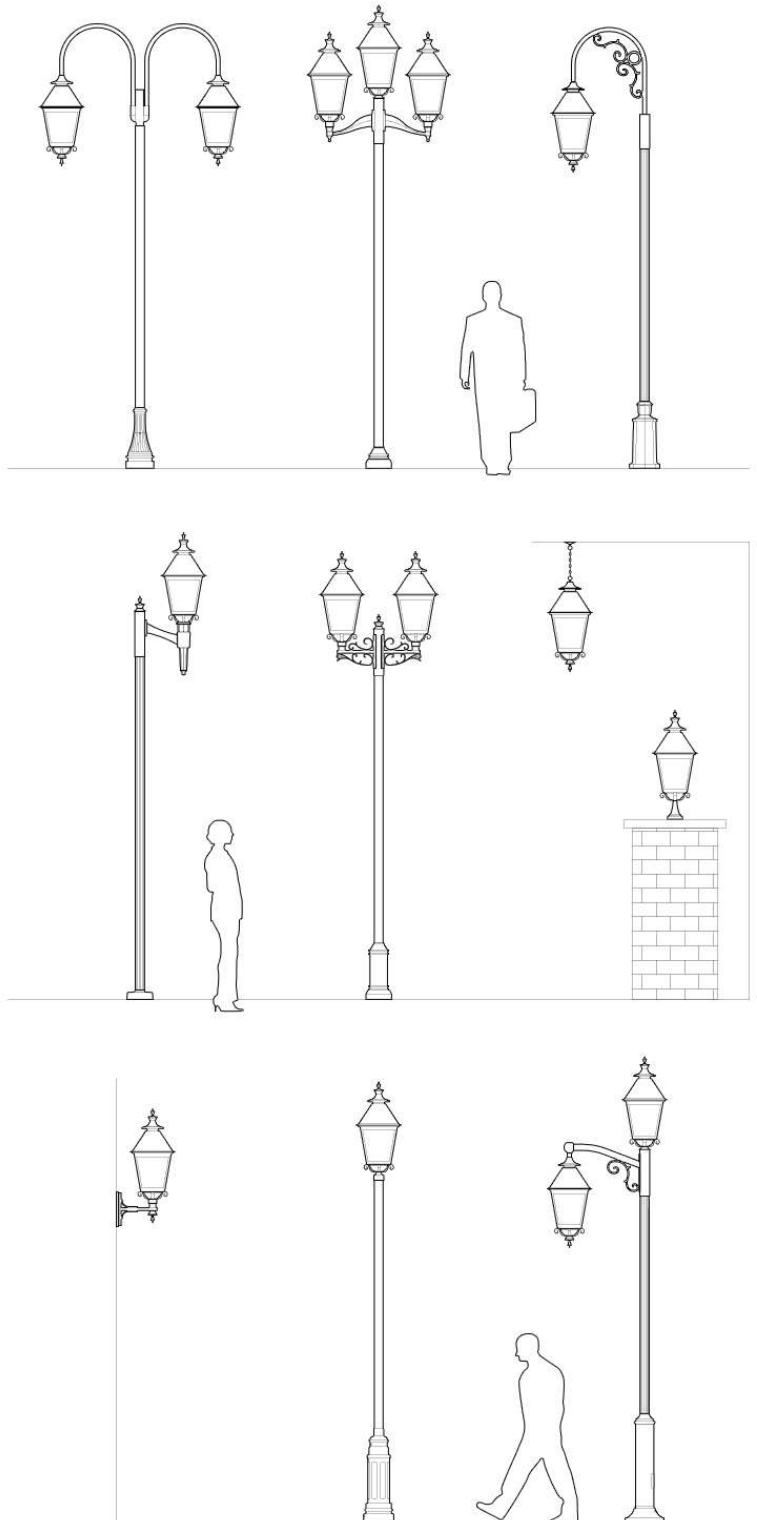
- Lifetime warranty on cast aluminum components.
- 5-year warranty against paint peeling.
- 10-year warranty on LED lighting system and 5-year warranty on converter.
- Replacement parts available for a minimum of 20 years.

MAINTENANCE

The Vimont collection is designed for easy field maintenance. The cap swings open on a simple hinge, leaving both hands free for relamping and cleaning. The converter is mounted in a housing equipped with "quick connectors" and can be connected or disconnected in a snap. The converter can be replaced or repaired outside the fixture.

MOUNTING OPTIONS

The drawings below illustrate some of the standard options available. SNOC can also custom design and manufacture arm styles required for various types of projects.



MOUNTINGS

Post support arms can be used in any of the configurations shown below.

1 - On post 

2 - Pedestal

3 - Suspended

A - Console 1 

B - Console 2 

C - Console 3 

D - Console 4 

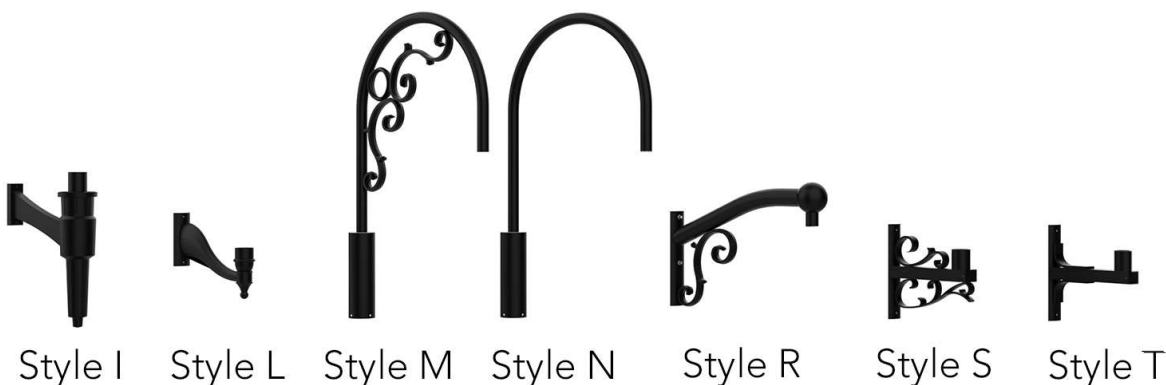
E - Console 1-1 

W- Wall mounting

Z - Wooden posts

ARM STYLES

Manufactured from high purity aluminum to maximize corrosion resistance, all arms are available for pole or wall applications. Consult your SNOC representative for a custom design.



Mounting on wooden post Z

SOURCES

This collection is offered with LED lighting systems equipped with surge protection, which offer excellent lighting performance and operation in cold weather. Versions with E26 (medium) or E39 (goliath) sockets are also available upon request.

VOLTAGE

The Vimont collection is available in 120V to 277V and 347V.

OPTICS/TYPES

Depending on the optical system used, the following standard IES distributions are available

With LED : type I, II, III, IV and V.

PHOTOMETRY

Most optical systems offer photometric measurements allowing the above-mentioned distributions. For the required data (in standard IES format) to calculate a scheme for a lighting project, please visit our website at www.snoc.com

Vimont - VI / VM / VT

MOUNTING	ARM STYLE	SOURCE		TENSION	OPTICS	LED BOARD / SOCKET	TYPE	GLOBE/GLASS	FINISH	OPTIONS	
		Power	Color								
0 On 3" post	0 No arm	INC Incandescent	N/A for incandescent	1 120 to 277V	0 None (LED)	N Normal (LED)	1 Type I	0 None (LED) *	AT Anthracite	TPR Twist-lock adapter	
1 On 4" post	I Style I	25 25W LED	A Amber	5 347V	Y Chimney	W Hyper-extensive (LED)*	2 Type II	A Clear polycarbonate	BK Black	F Fuses	
2 Pedestal	L Style L	30 30W LED	D 3000K			M Medium base	3 Type III	B Opaline polycarbonate	BZ Brown	D 0-10Volt dimmers	
3 Suspended	M Style M	40 40W LED	L 4000K			G Goliath base	4 Type IV	C Clear acrylic	DB Textured black		
A Console 1	N Style N	50 50W LED					5 Type V	D Opaline acrylic	DS Silver		
B Console 2	R Style R	60 60W LED						E Clear tempered glass	DW Textured white		
C Console 3	S Style S	75 75W LED						G Clear beveled tempered glass **	DZ Textured bronze		
D Console 4	T Style T	10 100W LED						I Frosted tempered glass	PE Pewter		
E Console 1-1								K Clear beveled frosted tempered glass **	PG Pine green		
W Wall mounting									WH White		
Z On wooden post	Example on previous page								XX On request		
								*VM and VT only			
								**VI only			
									See color chart on our site for example		
ex : VIW	S	60	D	1	0	W	3	G	BK		

Consult a representative for other available options