

SNOOC

LIGHTING CREATOR



S550PG

A light, a world of possibilities

Our refractor panels are made of an array of lenses and offer two types of light distribution, IES classifications III and V. All our panels are precisely configured to maximize light distribution and uniformity. Our prismatic lenses are made of polymethylmethacrylate (PMMA), better known as acrylic or acrylic glass. They are also equipped with a one-piece molded silicone seal that can withstand temperatures above 287°C (550°F), meeting the IP66 standard for protection against dust and water.

S550PG

TYPE

3 : III

5 : V

SOURCE

Light-emitting diodes

Power

Color

14W

AK : Amber

21W

3K : 3000K

32W

4K : 4000K

42W

TYPE OF CONVERTER

1S : 120 to 277V, standard

5S : 347 to 480V, standard

1D : 120 to 277V, dimmable (0-10 volts DC)

5D : 347 to 480V, dimmable (0-10 volts DC)

FINISH

AT : Anthracite

BK : Black

BZ : Brown

DB : Textured black

DS : Silver

DW : Textured white

DZ : Textured bronze

FG : Forest green

PE : Pewter

PG : Pine green

WH : White

XX : On request

ORDER EXAMPLE

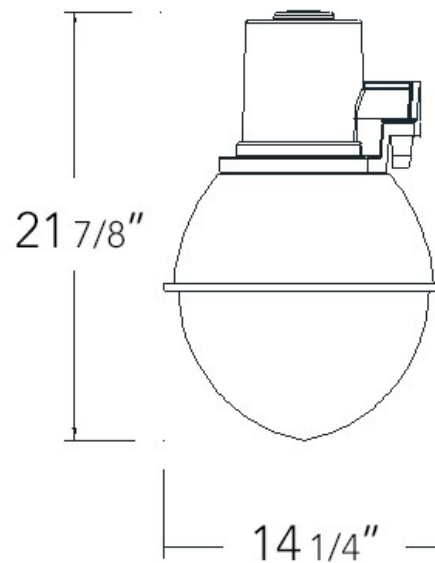
S550PG3 42W4K 1S BK

(S550F0, Prismatic glass, type III, 42W LED, 4000K, 120 to 277V, Black)

All our optical systems have been tested by an independent laboratory according to IESNA LM-79.

The LEDs used in our LED modules meet the IESNA LM-80 standard.

Our fixtures are certified and comply with applicable CSA and UL standards (suitable for wet environments)



WARRANTIES

- Lifetime warranty on cast aluminum components.
- 5-year warranty against paint peeling.
- 10-year warranty on LED lighting system and 5-year warranty on converter.
- Replacement parts available for a minimum of 20 years.

For other options, please refer to your representative