

SNOOC

LIGHTING CREATOR



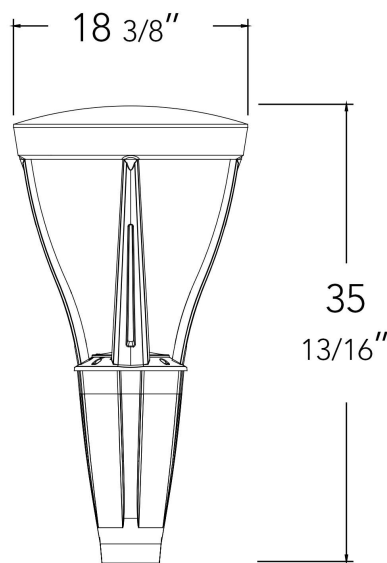
RENO

A light, a world of possibilities

Reno

LUMINAIRE COMPONENTS

- Cast aluminum body.
- Cast aluminum converter housing and cover for heat dissipation.
- Twist-lock mechanism for quick and easy access to the converter.
- IP66 certified optics.
- ANSI C136,31 vibration rating



WARRANTIES

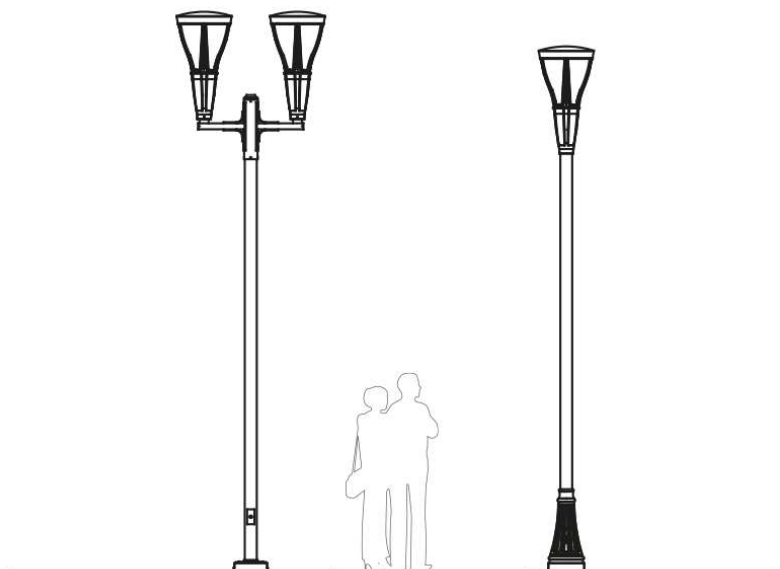
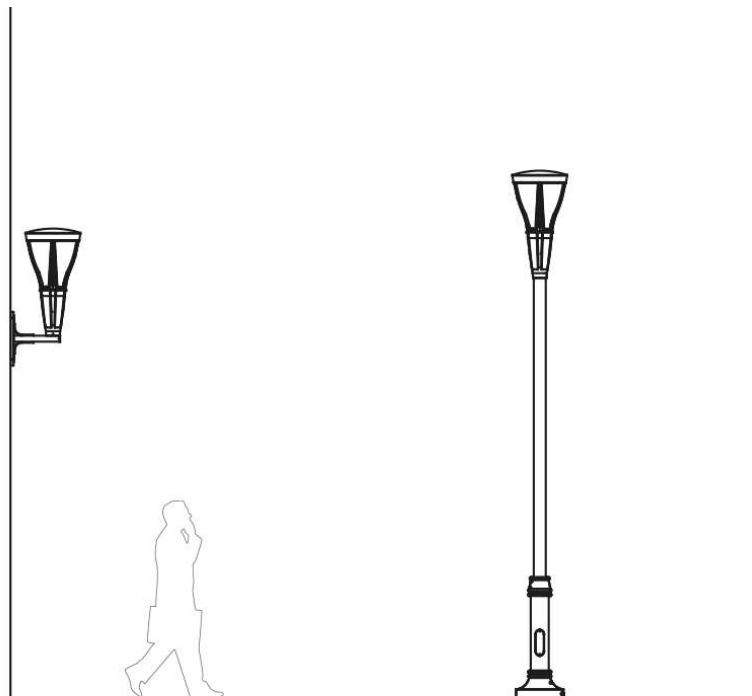
- Lifetime warranty on cast aluminum components.
- 5-year warranty against paint peeling.
- 10-year warranty on LED lighting system and 5-year warranty on converter.
- Replacement parts available for a minimum of 20 years.

MAINTENANCE

The Reno Collection is designed for ease of maintenance in the field. The converter is mounted in a housing equipped with "quick connectors" and can be connected or disconnected in a snap. The converter can be replaced or repaired outside the luminaire.

MOUNTING OPTIONS

The drawings below illustrate some of the standard options available. SNOC can also custom design and manufacture arm styles required for various types of projects.



MOUNTINGS

Post support arms can be used in any of the configurations shown below.

1 - On post



2 - Pedestal

A - Console 1



B - Console 2



C - Console 3



D - Console 4



E - Console 1-1



W- Wall mounting

Z - Wooden posts

ARM STYLES

Manufactured from high purity aluminum to maximize corrosion resistance, all arms are available for pole or wall applications. Consult your SNOC representative for a custom design.



Style I



Style S



Style T



Mounting on wooden posts Z

SOURCES

This collection is offered with LED lighting systems equipped with surge protection, which offer excellent lighting performance and operation in cold weather. Versions with E26 (medium) or E39 (goliath) sockets are also available upon request.

VOLTAGE

The Reno collection is available in 120V to 277V and 347V.

OPTICS/TYPES

Depending on the optical system used, the following standard IES distributions are available
With LED: type III and V.

PHOTOMETRY

Most optical systems offer photometric measurements allowing the above-mentioned distributions. For the required data (in standard IES format) to calculate a scheme for a lighting project, please visit our website at www.snoc.com

Reno - RE

MOUNTING	ARM STYLE	SOURCE		TENSION	OPTICS	LED BOARD / SOCKET	TYPE	GLOBE/GLASS	FINISH	OPTIONS
		Power	Color							
0 On 3" post	0 No arm	INC Incandescent	N/A for incandescent	1 120 to 277V	0 None (LED)	N Normal (LED)	1 Type I	0 None	AT Anthracite	TPR Adaptateur twist-lock
1 On 4" post	I Style I	25 25W LED	A Amber	5 347V		W Hyper-extensive (LED)*	2 Type II	E Clear tempered glass*	BK Black	TP5 3 PIN + 2 gradations
2 Pedestal	L Style L	30 30W LED	D 3000K				3 Type III		BZ Brown	TP7 3 PIN + 2 gradations + 2 contrôles
3 Suspende d	M Style M	40 40W LED	L 4000K				4 Type IV		DB Textured black	F Fusibles
A Console 1	N Style N	50 50W LED					5 Type V		DS Silver	D Gradation 0-10Volt
B Console 2	R Style R	60 60W LED							DW Textured white	
C Console 3	S Style S	75 75W LED							DZ Textured bronze	
D Console 4	T Style T	10 100W LED							PE Pewter	
E Console 1-1									PG Pine green	Consult a representative for other available options
W Wall mounting									WH White	
Z On wooden post	Example on previous page								XX On request	
									See color chart on our site for example	
ex: RE1	0	60	D	1	0	W	3	E	BK	

* Pour type III et V Seulement