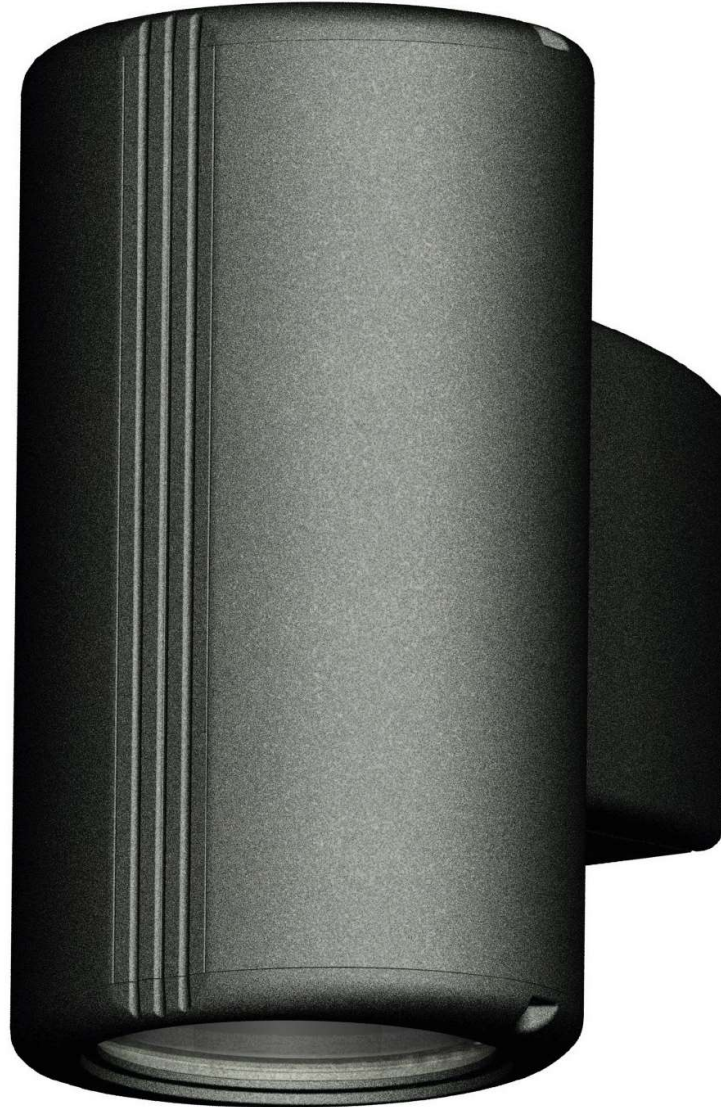


# SNOOC

LIGHTING CREATOR



## DKOS

A light, a world of possibilities

### WARRANTIES

- Lifetime warranty on cast aluminum components.
- 5-year warranty against paint peeling.
- 10-year warranty on LED lighting system and 5-year warranty on converter.
- Replacement parts available for a minimum of 20 years.

## LIGHTING

**WM** : Beam up and down 20 - 40 Watts

**WD** : Beam down 10 - 20 Watts

**WU** : Beam up 10 - 20 Watts

## SOURCE

Light-emitting diodes

| Power           | Color                   |
|-----------------|-------------------------|
| <b>10</b> : 10W | <b>A</b> : Amber filter |
| <b>20</b> : 20W | <b>L</b> : 4000K        |
| <b>40</b> : 40W | <b>D</b> : 3000K        |

## TENSION

|                 |                 |
|-----------------|-----------------|
| <b>1</b> : 120V | <b>4</b> : 277V |
| <b>2</b> : 208V | <b>5</b> : 347V |
| <b>3</b> : 240V |                 |

## FINISH

|                            |                             |
|----------------------------|-----------------------------|
| <b>AT</b> : Anthracite     | <b>DZ</b> : Textured bronze |
| <b>BK</b> : Black          | <b>FG</b> : Forest Green    |
| <b>BZ</b> : Brown          | <b>PE</b> : Pewter          |
| <b>DB</b> : Textured black | <b>PG</b> : Pine green      |
| <b>DS</b> : Silver         | <b>WH</b> : White           |
| <b>DW</b> : Textured white | <b>XX</b> : On request      |

## OPTICS

**N** : Narrow 14°

**M** : Medium 32°

**W** : Wide 42°

## OPTIONS

**F** : Fuses

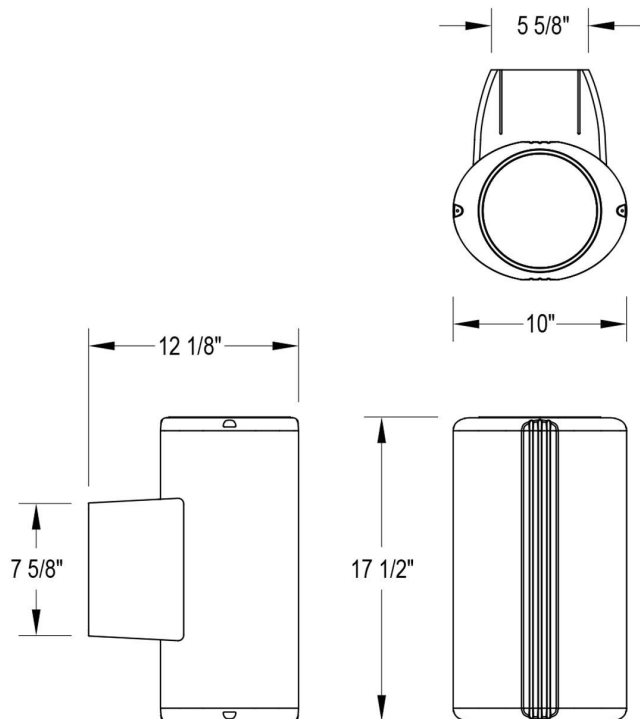
**PR** : Photocell

**SR** : Surface-mounted outlet

All our optical systems have been tested by an independent laboratory according to IESNA LM-79.

The LEDs used in our LED modules meet the IESNA LM-80 standard.

Our fixtures are certified and comply with applicable CSA and UL standards (suitable for wet environments)



## ORDER EXAMPLE

### DKOSWM20D1BKNM

(DKOS, Beam up and down, 10W LED both directions / total 20W, 3000K, 120V, Black, Narrow angle optics 14° up and medium angle 32° down)