

SNOOC

LIGHTING CREATOR



CHICAGO

A light, a world of possibilities



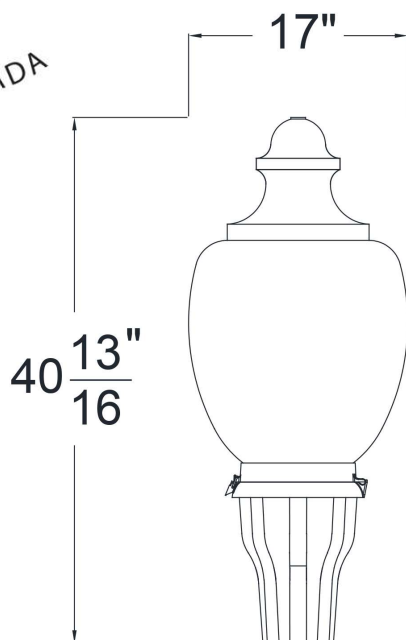
Chicago

LUMINAIRE COMPONENTS

- Cast aluminum body and finial.
- Cast aluminum converter housing and cover for heat dissipation.
- Hinged mechanism for quick and easy lamp access.
- Porcelain enameled socket with medium or goliath base.
- IP66 certified optics.

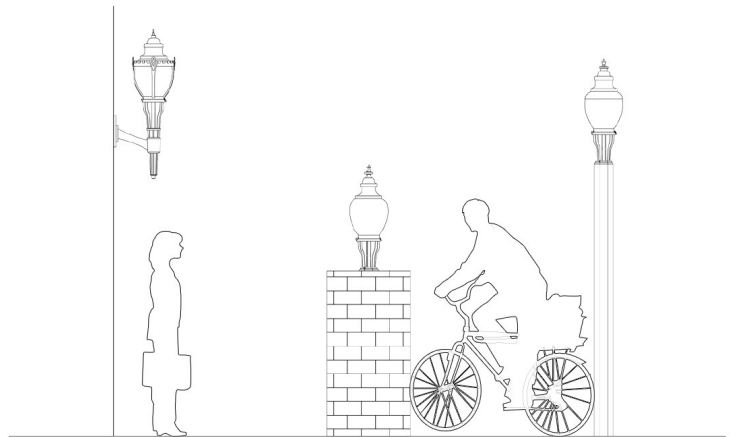
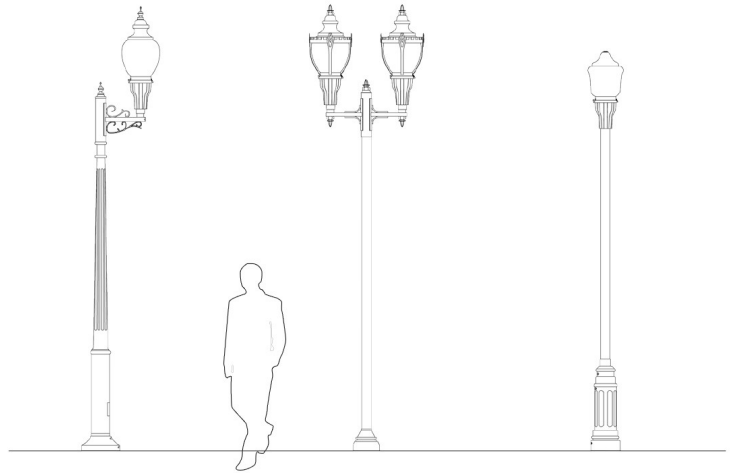
WARRANTIES

- Lifetime warranty on cast aluminum components.
- 5-year warranty against paint peeling.
- 10-year warranty on LED lighting system and 5-year warranty on converter.
- Replacement parts available for a minimum of 20 years.



MOUNTING OPTIONS

The drawings below illustrate some of the standard options available. SNOC can also custom design and manufacture arm styles required for various types of projects.



MAINTENANCE

The Chicago collection is designed for easy field maintenance. The fixture opens from the side with a hinge, leaving both hands free for relamping and cleaning.

MOUNTING

Post support arms can be used in any of the configurations shown below.

1 - On post



2 - Pedestal

A - Console 1



B - Console 2



C - Console 3



D - Console 4



E - Console 1-1



W- Wall mounting

Z - Wooden posts

ARM STYLE

Manufactured from high purity aluminum to maximize corrosion resistance, all arms are available for pole or wall applications. Consult your SNOC representative for a custom design.



Style I



Style S



Style T



Mounting on
wooden posts Z

SOURCE

This collection is offered with LED lighting systems equipped with surge protection, which offer excellent lighting performance and operation in cold weather. Versions with E26 (medium) or E39 (goliath) sockets are also available upon request.

VOLTAGE

The Chicago collection is available in 120V to 277V and 347V.

OPTICS/TYPE

Depending on the optical system used, the following standard IES distributions are available
With LED: type III and V.

PHOTOMETRY

Most optical systems offer photometric measurements allowing the above-mentioned distributions. For the required data (in standard IES format) to calculate a scheme for a lighting project, please visit our website at www.snoc.com

Chicago - CH

MONTAGE	ARM STYLE	SOURCE		TENSION	OPTICS	LED BOARD / SOCKET	TYPE	GLOBE/GLASS	FINIAL	FINISH		OPTIONS	
		Power	Color										
1 On 4" post	0 No arm	INC Incandescent	N/A for incandescent	1 120V to 277V	0 None (LED)	W Hyper-extensive (LED)*	3 Type III	C Clear acrylic	0 None	AT Anthracite	TPR	Twist-lock adapter	
2 Pedestal	I Style I	25 25W LED	A Amber	5 347V		M Medium base	5 Type V		1 Model 1	BK Black	F	Fuses	
A Console 1	S Style S	30 30W LED	D 3000K			G Goliath base			2 Model 2	BZ Brown	D	0-10Volt dimmers	
B Console 2	T Style T	40 40W LED	L 4000K						3 Model 3	DB Textured Black			
C Console 3		50 50W LED							4 Model 4	DS Silver			
D Console 4		60 60W LED							5 Model 5	DW Textured white			
E Console 1-1		75 75W LED								DZ Textured bronze			
W Wall mounting	Example on previous page	10 100W LED								PE Pewter	Consult a representative for other available options		
Z On wooden post										PG Pine Green			
									Chicago only	WH White			
										XX On request			
										See color chart on our site for example			
Ex: CHF1	0	60	D	1	0	N	3	C	1	BK			

