

SNOOC

LIGHTING CREATOR



IP 54

BOLLARD-B4

A light, a world of possibilities

The BOLLARD collection of lighting fixtures is made from oxidation resistant cast aluminum parts. All finishes are obtained by applying polyester-based exterior powder paint treated against UV rays. The polymer tube is fully sealed to protect from water and insects.

WARRANTIES

- Lifetime warranty on cast aluminum components.
- 5-year warranty against paint peeling.
- 10-year warranty on LED lighting system and 5-year warranty on converter.
- Replacement parts available for a minimum of 20 years.



Bollard – B4

HEIGHT

24 : 24 inches **42** : 42 inches
36 : 36 inches **48** : 48 inches

For other formats, please refer to your representative

SOURCE

Light emitting diodes

Power	Color
10 : 10W	L : 4000K
20 : 20W	D : 3000K

TENSION

1 : 120V
3 : 240V
5 : 347V

OPTICS

0 : No optics

SOCKET

0 : No socket

TYPE

3 : III

GLOBE

D : Opaline acrylic

FINISH

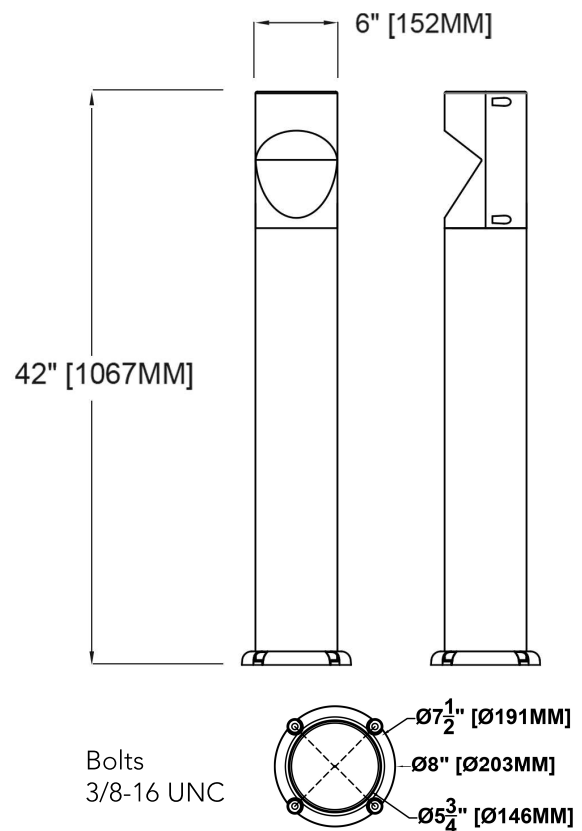
AT : Anthracite	DS : Silver
BK : Black	DW : Textured white
BZ : Brown	DZ : Textured bronze
DB : Textured black	FG : Forest green

OPTIONS

F : Fuses
PR : Photocell
SR : Surface-mounted outlet

All our optical systems have been tested by an independent laboratory according to IESNA LM-79.

The LEDs used in our LED modules meet the IESNA LM-80 standard. Our fixtures are certified and comply with applicable CSA and UL standards
(suitable for wet environments)



PE : Pewter
PG : Pine green
WH : White
XX : On request

ORDER EXAMPLE

B44220D1003DBK

(B4, 42 inches, 20W DEL, 3000K, 120V, No optics, No socket, type III, Opaline acrylic, black)