

SNOOC

LIGHTING CREATOR



BOLLARD-B3

A light, a world of possibilities

The BOLLARD collection of lighting fixtures is made from oxidation resistant cast aluminum parts. All finishes are obtained by applying polyester-based exterior powder paint treated against UV rays. The polymer tube is fully sealed to protect from water and insects. The converter is mounted under the lamp to prevent overheating and extend the life of the lamp.

WARRANTIES

- Lifetime warranty on cast aluminum components.
- 5-year warranty against paint peeling.
- 10-year warranty on LED lighting system and 5-year warranty on converter.
- Replacement parts available for a minimum of 20 years.



Bollard – B3

HEIGHT

40 : 40 inches

SOURCE

Light emitting diodes

Power

Color

24 : 24W

D : 3000K

TENSION

1 : 120 à 277V

5 : 347V

OPTICS

0 : No optics

SOCKET

0 : No socket

TYPE

5 : V

GLOBE

C : Clear acrylic

FINISH

AT : Anthracite

DS : Silver

PE : Pewter

BK : Black

DW : Textured white

PG : Pine green

BZ : Brown

DZ : Textured bronze

WH : White

DB : Textured black

FG : Forest green

XX : On request

OPTIONS

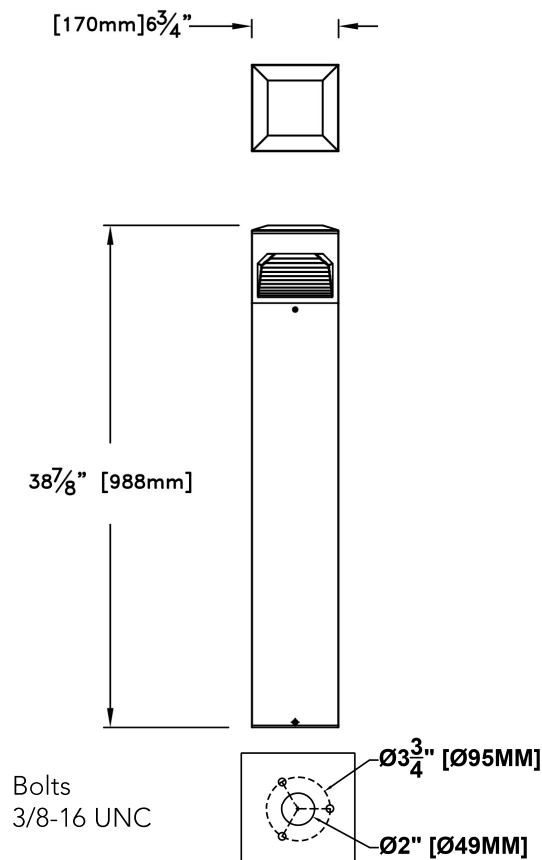
F : Fuses

PR : Photocell

SR : Surface-mounted outlet

All our optical systems have been tested by an independent laboratory according to IESNA LM-79.

The LEDs used in our LED modules meet the IESNA LM-80 standard. Our fixtures are certified and comply with applicable CSA and UL standards (suitable for wet environments)



ORDER EXAMPLE

B34024D1005CBK

(B3, 40 inches, 24W DEL, 3000K, 120 to 277V, No optics, No socket, type V, Clear acrylic, black)