

# SNOOC

LIGHTING CREATOR



**IP66**

## BOLLARD-B1

A light, a world of possibilities

The BOLLARD collection of lighting fixtures is made from oxidation resistant cast aluminum parts. All finishes are obtained by applying polyester-based exterior powder paint treated against UV rays. The polymer tube is fully sealed to protect from water and insects.

### WARRANTIES

- Lifetime warranty on cast aluminum components.
- 5-year warranty against paint peeling.
- 10-year warranty on LED lighting system and 5-year warranty on converter.
- Replacement parts available for a minimum of 20 years.



# Bollard – B1

## HEIGHT

**24** : 24 inches                      **42** : 42 inches  
**36** : 36 inches                      **48** : 48 inches

For other formats, please refer to your representative

## SOURCE

Light emitting diodes		Other
Power	Color	<b>INC</b> : Incandescent
<b>10</b> : 10W	<b>L</b> : 4000K	
<b>20</b> : 20W	<b>D</b> : 3000K	

## TENSIONS

<b>1</b> : 120V	<b>4</b> : 277V
<b>2</b> : 208V	<b>5</b> : 347V
<b>3</b> : 240V	

## OPTICS

**F** : Reflector  
**0** : No optics

## SOCKET

**M** : Medium base  
**0** : No socket

## TYPE

**5** : V

## GLOBE

**C** : Clear acrylic  
**D** : Opaline acrylic

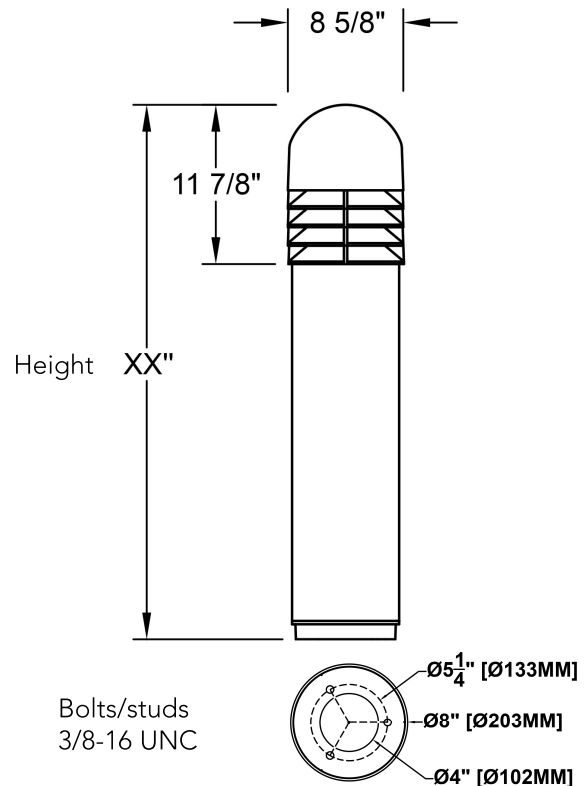
## FINISH

<b>AT</b> : Anthracite	<b>DS</b> : Silver
<b>BK</b> : Black	<b>DW</b> : Textured white
<b>BZ</b> : Brown	<b>DZ</b> : Textured bronze
<b>DB</b> : Textured black	<b>FG</b> : Forest green

## OPTIONS

**F** : Fuses  
**PR** : Photocell  
**SR** : Surface-mounted outlet

All our optical systems have been tested by an independent laboratory according to IESNA LM-79. The LEDs used in our LED modules meet the IESNA LM-80 standard. Our fixtures are certified and comply with applicable CSA and UL standards (suitable for wet environments)



## ORDER EXAMPLE

**B13620D1005ABK**

(B1, 36 inches, 20W DEL, 3000K, 120V, No optics, No socket, type V, Clear polycarbonate, black)

**PE** : Pewter  
**PG** : Pine green  
**WH** : White  
**XX** : On request