

SNOOC

LIGHTING CREATOR



IP66

BOLLARD-B0

A light, a world of possibilities

The BOLLARD collection of lighting fixtures is made from oxidation resistant cast aluminum parts. All finishes are obtained by applying polyester-based exterior powder paint treated against UV rays. The polymer tube is fully sealed to protect from water and insects.

WARRANTIES

- Lifetime warranty on cast aluminum components.
- 5-year warranty against paint peeling.
- 10-year warranty on LED lighting system and 5-year warranty on converter.
- Replacement parts available for a minimum of 20 years.



Bollard – B0

HEIGHT

24 : 24 inches **42** : 42 inches
36 : 36 inches **48** : 48 inches

For other formats, please refer to your representative

SOURCE

Light emitting diodes		Other
Power	Color	INC : Incandescent
10 : 10W	L : 4000K	
20 : 20W	D : 3000K	

TENSION

1 : 120V	4 : 277V
2 : 208V	5 : 347V
3 : 240V	

OPTICS

F : Reflector
0 : No optics

SOCKET

M : Medium base
0 : No socket

TYPE

5 : V

GLOBE

A : Clear polycarbonate
C : Clear acrylic
D : Opaline acrylic

FINISH

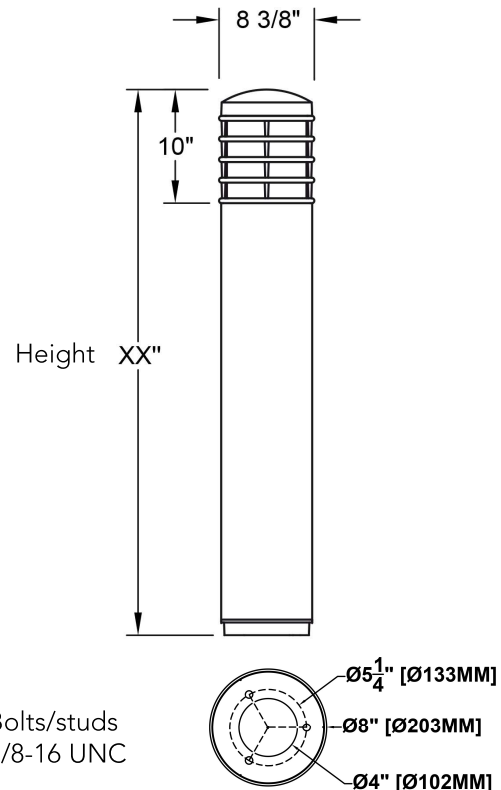
AT : Anthracite	DS : Silver
BK : Black	DW : Textured white
BZ : Brown	DZ : Textured bronze
DB : Textured black	FG : Forest green

OPTIONS

F : Fuses
PR : Photocell
SR : Surface-mounted outlet

All our optical systems have been tested by an independent laboratory according to IESNA LM-79.

The LEDs used in our LED modules meet the IESNA LM-80 standard. Our fixtures are certified and comply with applicable CSA and UL standards (suitable for wet environments)



ORDER EXAMPLE

B04820D1005ABK

(B0, 48 inches, 20W DEL, 3000K, 120V, No optics, No socket, type V, Clear polycarbonate , black)