

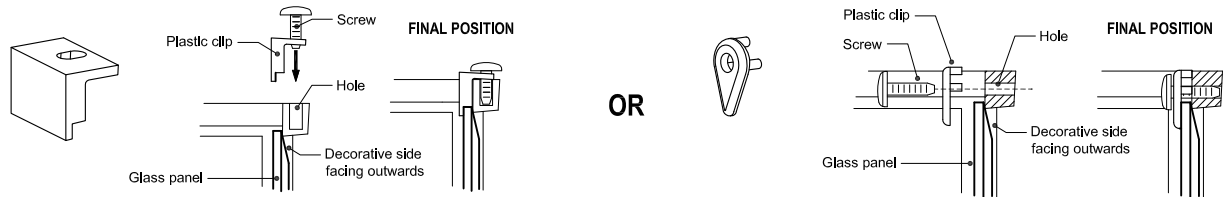
OUTDOOR/INDOOR LUMINAIRE INSTALLATION INSTRUCTIONS

WARNING
MAKE SURE POWER IS **OFF** BEFORE
STARTING THE INSTALLATION

NOTE: Remove the 2 assembly screws from the luminaire body or hat and put glass panels or diffuser in place (see below). Apply a lubricant to screws to prevent oxidation and ensure easy future disassembly. Assemble the luminaire and install it.

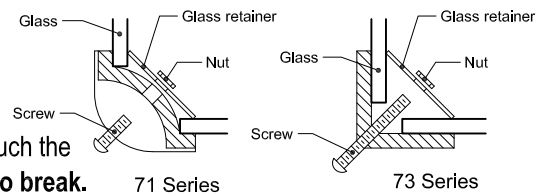
GLASS ATTACHMENT with plastic retainer clips

- 1 - Insert glass with decorative side facing outwards. (For SCAVO glass, place the rough face inside).
- 2 - Lightly screw plastic clips (provided) into the holes until the clips almost touch the glass panel.
Do not overtighten clips, as this may cause the glass to break.



GLASS ATTACHMENT (71 AND 73 SERIES)

- 1 - Locate the hole in the middle of each luminaire riser.
- 2 - Insert glass with decorative side facing outwards. (For SCAVO glass, place the rough face inside).
- 3 - Lightly screw glass retainers (provided) into the holes until the retainers almost touch the glass panel. **Do not overtighten glass retainers, as this may cause the glass to break.**



GLASS INSTALLATION without glass retainers

- 1 - Slide glass panels, decorative side facing outwards, between insertion guides at each upper corner of the luminaire.

DIFFUSER INSTALLATION

- 1 - Place diffuser in luminaire body. If it applies, hide joint behind one of the luminaire risers.

WALL, CHAIN AND PEDESTAL MOUNTS

FOR LUMINAIRES WITH A SINGLE CROSSBAR (FOLLOW STEPS 1, 2, 6 AND 7).

FOR LUMINAIRES WITH A DOUBLE CROSSBAR (FOLLOW STEPS 1, 3, 5, 6 AND 7).

FOR LUMINAIRES WITH A ROUND CROSSBAR (FOLLOW STEPS 1, 4, 5, 6 AND 7).

- 1 - Make sure a ground wire is solidly attached under the ground screw provided with the crossbar (Fig. 1). When a ground wire is provided with the luminaire, make sure it is connected to the supply ground wire.
- 2 - For single crossbar, attach crossbar A to junction box (Fig. 1). Screw provided threaded nipple in the tapped hole in the center of the crossbar. Proceed to step 6.
- 3 - For double crossbar, attach crossbar A to junction box (Fig. 1). Attach crossbar B to crossbar A with center screw provided (Fig. 2). Align horizontally the 2 tapped holes (shown in black) and tighten center screw until crossbar B can no longer rotate. Proceed to step 5.
- 4 - For round crossbar, attach crossbar C to junction box (Fig. 3). Proceed to step 5.
- 5 - Screw the 2 threaded studs provided into the crossbar 2 tapped holes shown in black at Fig. 2 (double crossbar) or at Fig. 3 (round crossbar). The 2 studs should be 2 3/4" or 3 1/2" center to center, but this distance may vary. Check the distance between holes on the luminaire mounting plate. (Wedge anchors not provided for certain pedestals.)
- 6 - Connect supply leads from junction box to luminaire leads. Use CSA/UL certified wire connectors (not included). Tuck connections into junction box. Slip threaded nipple (single crossbar) or threaded studs (double or round crossbar) into the hole(s) of the luminaire mounting plate (Fig.4). Tighten with provided battery nut(s).
- 7 - Make sure luminaire is properly aligned. If mounting surface is uneven, place shims under the mounting plate and seal with silicone compound.

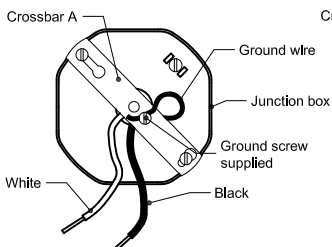


Fig. 1

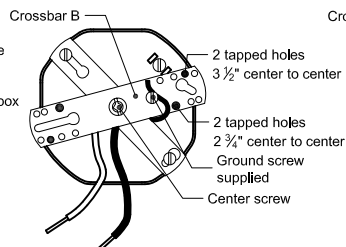


Fig. 2

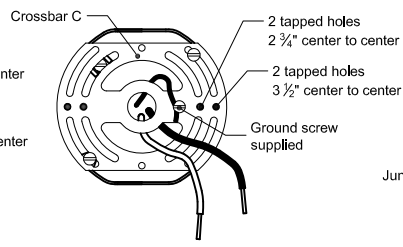


Fig. 3

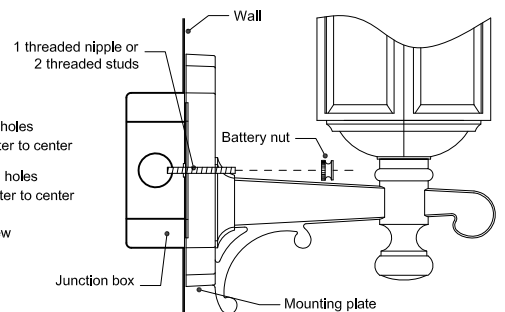


Fig. 4

POLE MOUNT

- 1 - Mount cable bracket (provided with ground screw) inside luminaire base (Fig. 5).
- 2 - Mount cable connector (not supplied) on cable bracket.
- 3 - Tighten supply cable on the connector.
- 4 - Connect supply ground wire under ground screw.
- 5 - Connect fixture wires to supply wires using CSA/UL certified wire nuts (not supplied).
- 6 - Slip luminaire base over the pole. Tighten the 3 set screws.

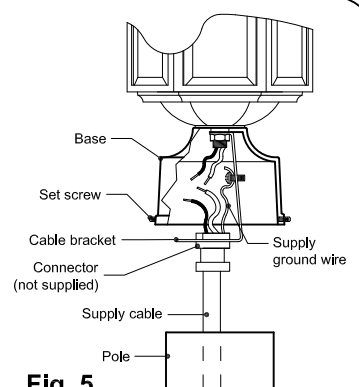


Fig. 5