

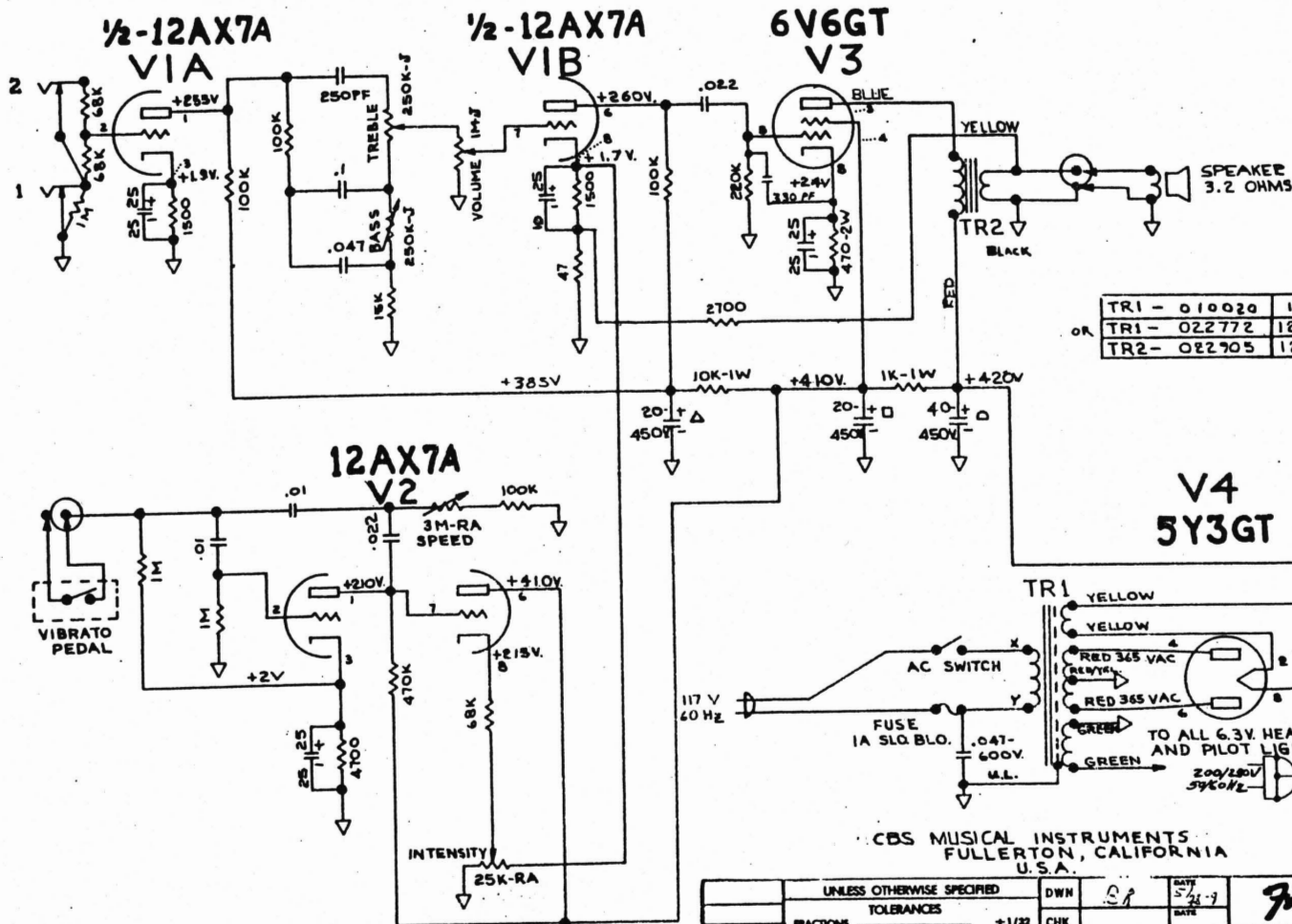
# FENDER MODEL

# "VIBRO-CHAMP AMP AB764" SCHEMATIC

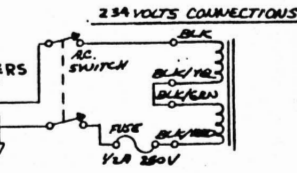
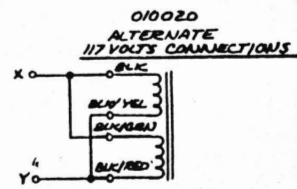
THIS PRODUCT MANUFACTURED UNDER ONE OR MORE OF THE FOLLOWING U.S. PATENTS - #2817708, #2973681, 192859 / PATENTS PENDING.

I-FD

INSTRUMENTS



|                 |          |
|-----------------|----------|
| TR1 - 010020    | 117/234v |
| OR TR1 - 022772 | 125PIB   |
| TR2 - 022705    | 125A35A  |



CBS MUSICAL INSTRUMENTS  
FULLERTON, CALIFORNIA  
U.S.A.

.047/600 NOT USED FOR EXPORT

- NOTES: UNLESS OTHERWISE SPECIFIED
- 5 CBS P/N FOR CONTROLS INDICATED
  - 4 WIRE COLORS SUBJECT TO CHANGE
  - 3 ALL CAPACITORS AT LEAST 600V RATING IF NOT SPECIFIED
  - 2 ALL RESISTORS 1/2 W ± 10%, IF NOT SPECIFIED
  - 1 VOLTAGES READ TO GROUND WITH V.T.V.M. WITH VIBRATO-GROUNDED (EXCEPT V2) - NO INPUT SIGNAL

4 ADDED ALTERNATE TERMINAL CONNECTIONS 602919 67-71

| UNLESS OTHERWISE SPECIFIED  |                  | DATE      |         | DATE             |              |
|---|------------------|-----------|---------|------------------|--------------|
| TOLERANCES  |                  | DWN       | 5-21-71 | CHK              |              |
| FRACTIONS   | ±1/32            | APPD      |         | DATE             |              |
| X   | ±.015            | M.E.      |         |                  |              |
| .XX   | ±.010            | APPD      |         |                  |              |
| .XXX  | ±.005            | M.E.      |         |                  |              |
| ANGLES  | ± 1/2°           | APPD      |         | DATE             | 3-24-71      |
| FRACTIONAL WOOD   | ±1/16"           | E.E.      |         |                  |              |
| HOLS - CORED  | + .005<br>- .000 | MATERIAL: |         |                  |              |
| HOLS - DRILLED  | + .005<br>- .000 | FINISH:   |         |                  |              |
| UNMARKED ANGLES ARE 90°<br>ALL DIMENSIONS ARE IN INCHES<br>DO NOT SCALE DRAWING |                  | REL. NO.  |         | SIZE             | DWG. NO.     |
| USED ON   |                  | D         |         | 045401           | REV A        |
|   |                  | SCALE     |         | MODEL            | SHEET 1 OF 2 |
|   |                  |           |         | VIBRO-CHAMP TUBE |              |

Fender MUSICAL INSTRUMENTS  
SANTA ANA, CALIFORNIA

DWG. TITLE  
SCHEMATIC & WIRING  
DIAGRAM (DOMESTIC & EXPORT)  
VIBRO CHAMP AMP

# FENDER MODEL "VIBRO-CHAMP-AMP AB764" LAYOUT

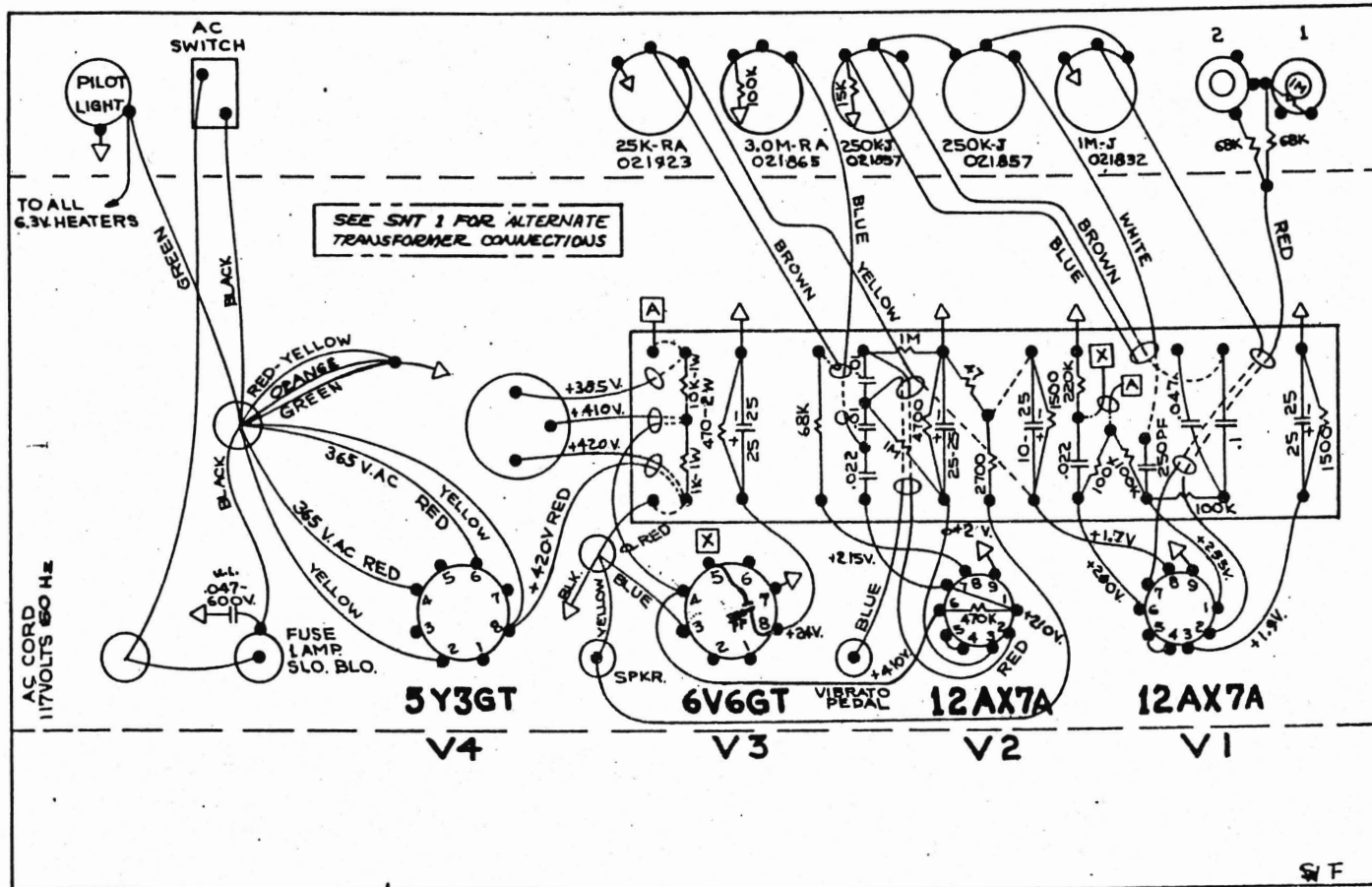
I-FD

INTENSITY SPEED

BASS

TREBLE VOLUME

INSTRUMENTS



CBS MUSICAL INSTRUMENTS  
FULLERTON, CALIFORNIA  
U.S.A.

|                              |        |           |      |      |         |  |
|------------------------------|--------|-----------|------|------|---------|--|
| UNLESS OTHERWISE SPECIFIED   |        | DWN       | B.P. | DATE | 5/28-71 | MUSICAL INSTRUMENTS<br>SANTA ANA, CALIFORNIA                                       |
| TOLERANCES                   |        | CHK       |      | DATE |         |  |
| FRACTIONS                    | ±1/32  | APPD      |      | DATE |         | DWG. TITLE<br>SCHEMATIC & WIRING<br>DIAGRAM (DOMESTIC & EXPORT)<br>VIBRO CHAMP AMP |
| X                            | ±.015  | M.E.      |      | DATE |         |  |
| JXX                          | ±.010  | APPD      |      | DATE |         | REL. NO.    SIZE    DWG. NO.    REV<br>D        045401        A                    |
| JXXX                         | ±.005  | E.E.      |      | DATE | 5-29-71 |  |
| ANGLES                       | ±1/4"  | MATERIAL: |      |      |         | SCALE    MODEL<br>1/8" 0    VIBRO CHAMP    SHEET 2 OF 2                            |
| FRACTIONAL WOOD              | ±1/16" | FINISH:   |      |      |         |  |
| HOLES - CORED                | + .005 |           |      |      |         |  |
| HOLES - DRILLED              | + .005 |           |      |      |         |  |
|                              | - .005 |           |      |      |         |  |
|                              | - .005 |           |      |      |         |  |
| UNMARKED ANGLES ARE 90°      |        |           |      |      |         |  |
| ALL DIMENSIONS ARE IN INCHES |        |           |      |      |         |  |
| DO NOT SCALE DRAWING         |        |           |      |      |         |  |

A ADDED ALTERNATE TRANSFORMER CONNECTIONS ELD 2929    6-1-71    [Signature]