

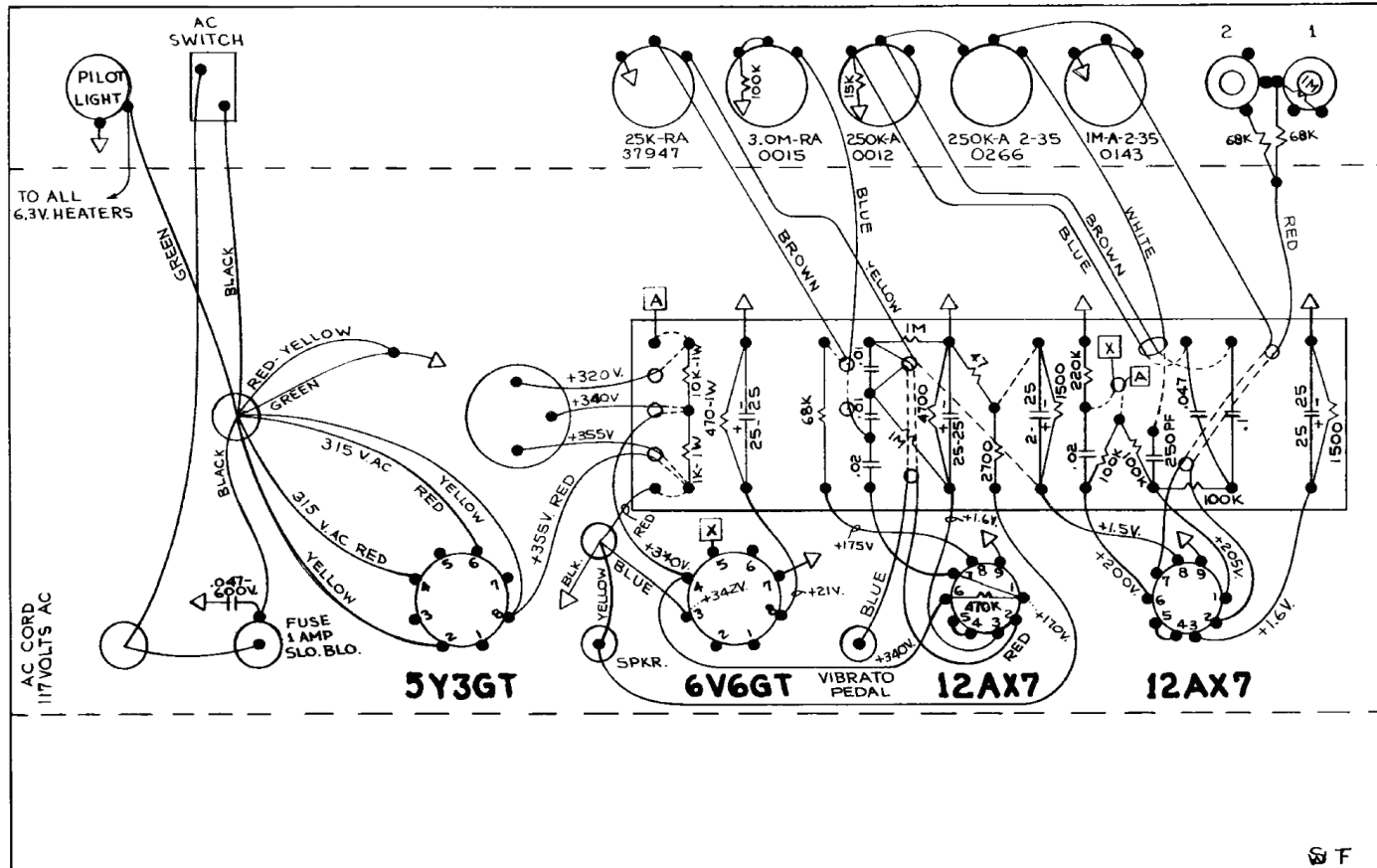
FENDER MODEL "VIBRO-CHAMP-AMP AA764" LAYOUT

NOTICE

- 1-VOLTAGES READ TO GROUND WITH ELECTRONIC VOLTMETER. VALUES SHOWN +OR- 20%
- 2- ALL RESISTORS 1/2 WATT 10% TOLERANCE IF NOT SPECIFIED.
- 3- ALL CAPACITORS AT LEAST 400 VOLT RATING IF NOT SPECIFIED.

I-FD

INTENSITY SPEED BASS TREBLE VOLUME INSTRUMENTS



NOTE-ALL RESISTORS 1/2 WATT 10% TOLERANCE, IF NOT SPECIFIED. NOTE- ALL CAPACITORS AT LEAST 400 VOLT RATING IF NOT SPECIFIED.

FENDER ELECTRIC INSTRUMENT COMPANY
FULLERTON, CALIFORNIA
U.S.A.

FENDER
MODEL

"VIBRO-CHAMP AMP AA764" SCHEMATIC

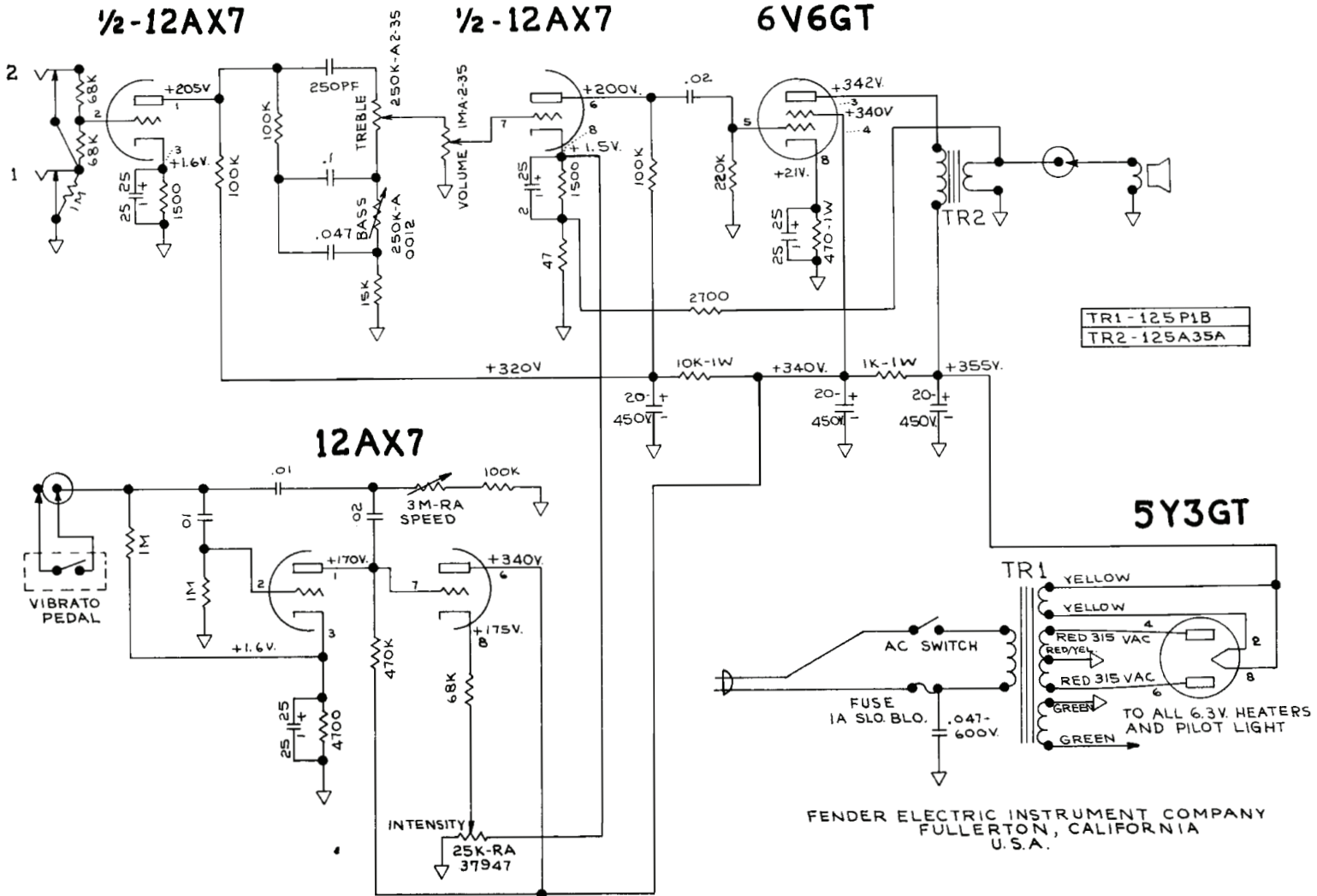
NOTICE

THIS PRODUCT MANUFACTURED UNDER ONE OR MORE OF THE FOLLOWING U.S. PATENTS - #2817708, #2973681, 192859 & PATENTS PENDING.

I-FD

- 1 - VOLTAGES READ TO GROUND WITH ELECTRONIC VOLT METER. VALUES SHOWN + OR - 20%
- 2 - ALL RESISTORS 1/2 WATT 10% TOLERANCE IF NOT SPECIFIED.
- 3 - ALL CAPACITORS AT LEAST 400VOLT RATING IF NOT SPECIFIED.

INSTRUMENTS



FENDER ELECTRIC INSTRUMENT COMPANY
FULLERTON, CALIFORNIA
U.S.A.