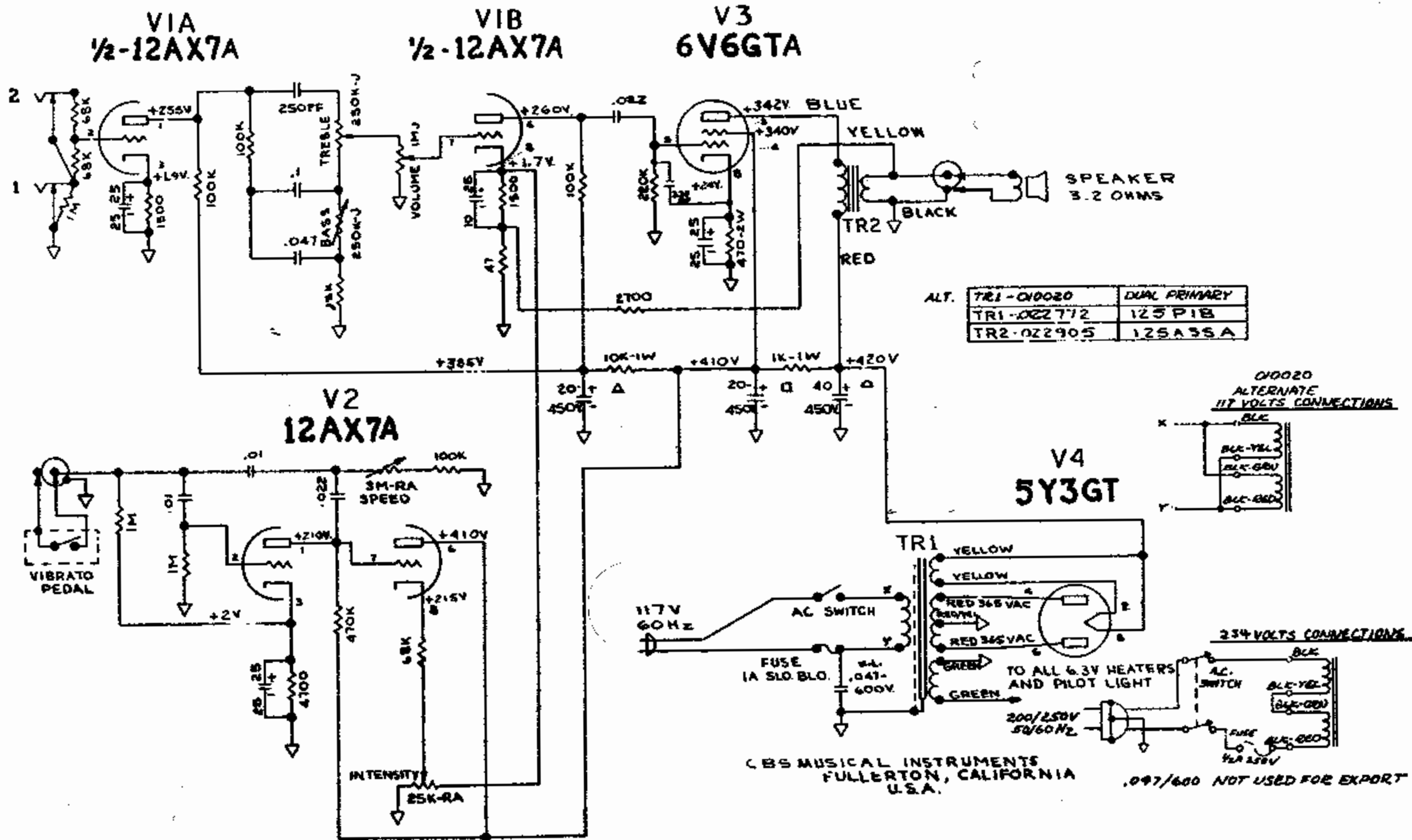


THIS PRODUCT MANUFACTURED UNDER ONE OR MORE OF THE FOLLOWING U.S. PATENTS - #2817708, #2973681, 192859 PATENTS PENDING

1-FD

- 1 - VOLTAGES READ TO GROUND WITH ELECTRONIC VOLTMETER VALUES SHOWN + OR - 20%
- 2 - ALL RESISTORS 1/2 WATT 10% TOLERANCE IF NOT SPECIFIED.
- 3 - ALL CAPACITORS AT LEAST 600 VOLT RATING IF NOT SPECIFIED.
- 4 - WIRE COLORS MAY VARY

INSTRUMENTS



FENDER MODEL

BRONCO AMP

AB 764" LAYOUT

I-FD

INTENSITY SPEED

BASS

TREBLE VOLUME

INSTRUMENTS

