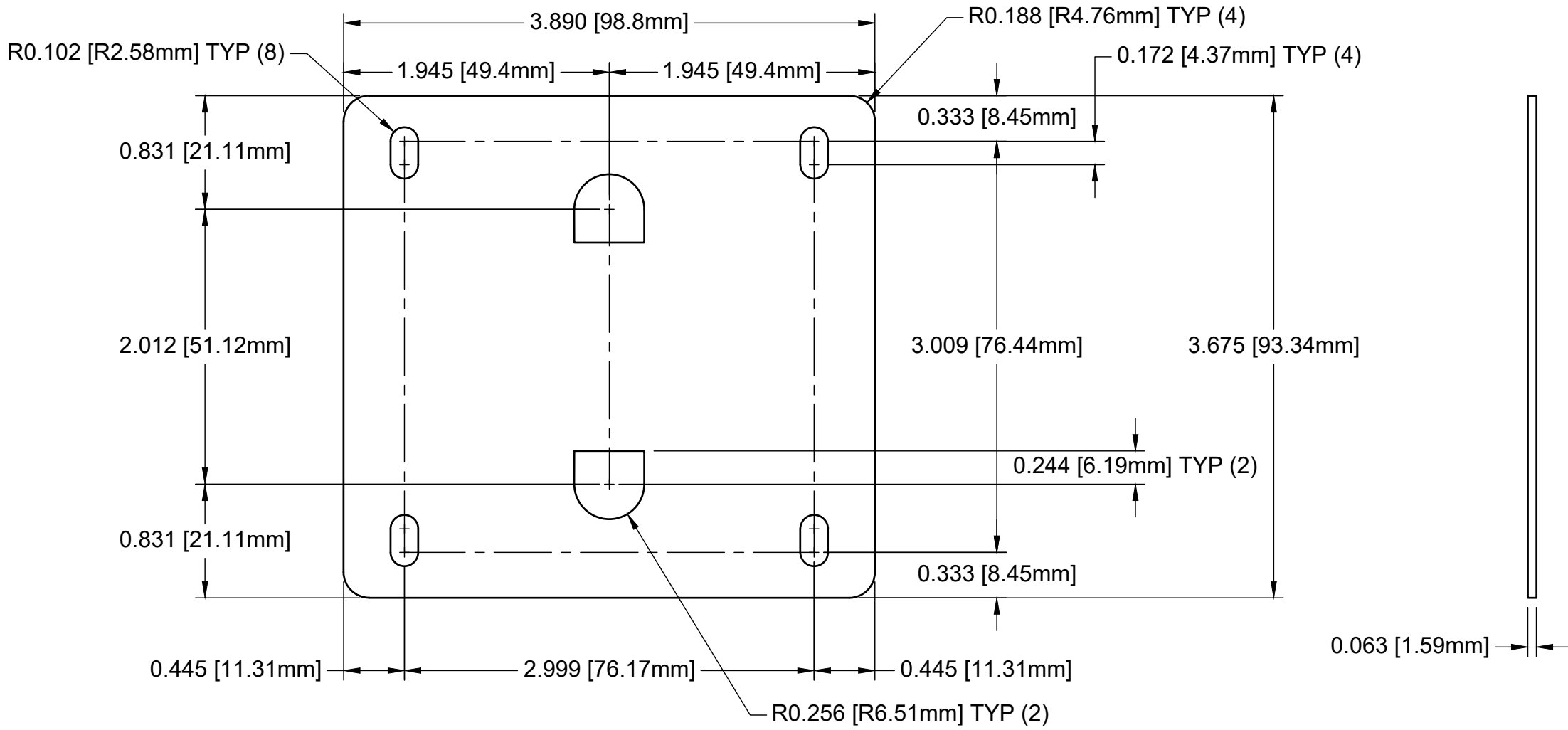


**SPECIFICATIONS**

High Temp Silicone Rubber, 60A Commercial Grade



DIMENSIONS ARE IN INCHES [MILLIMETERS]. X.XXX = ±0.010 X.XX = ±0.03 ANGLES = ±0.05 UNLESS OTHERWISE SPECIFIED		<b>EDCOR</b> Electronics Corporation 7130 National Parks Highway Carlsbad, NM 88220 U.S.A <a href="http://edcorusa.com">edcorusa.com</a>	
DRAWING BY <b>Brian Weston</b>		Date <b>03/29/2023</b>	
CHECKED BY <b>Brian Weston</b>		Date <b>03/29/2023</b>	
APPROVED BY <b>Brian Weston</b>		Date <b>03/29/2023</b>	
SIZE <b>B</b>	CAGE CODE: <b>334U2</b>	DRAWING NO. <b>20000-SI150-150-VX</b>	REV
SCALE: 1:1		© 2023 EDCOR Electronics Corporation SHEET: 1 of 1	

**EI150 x 1 1/2" Vertical End Bell Mounting Insulator**