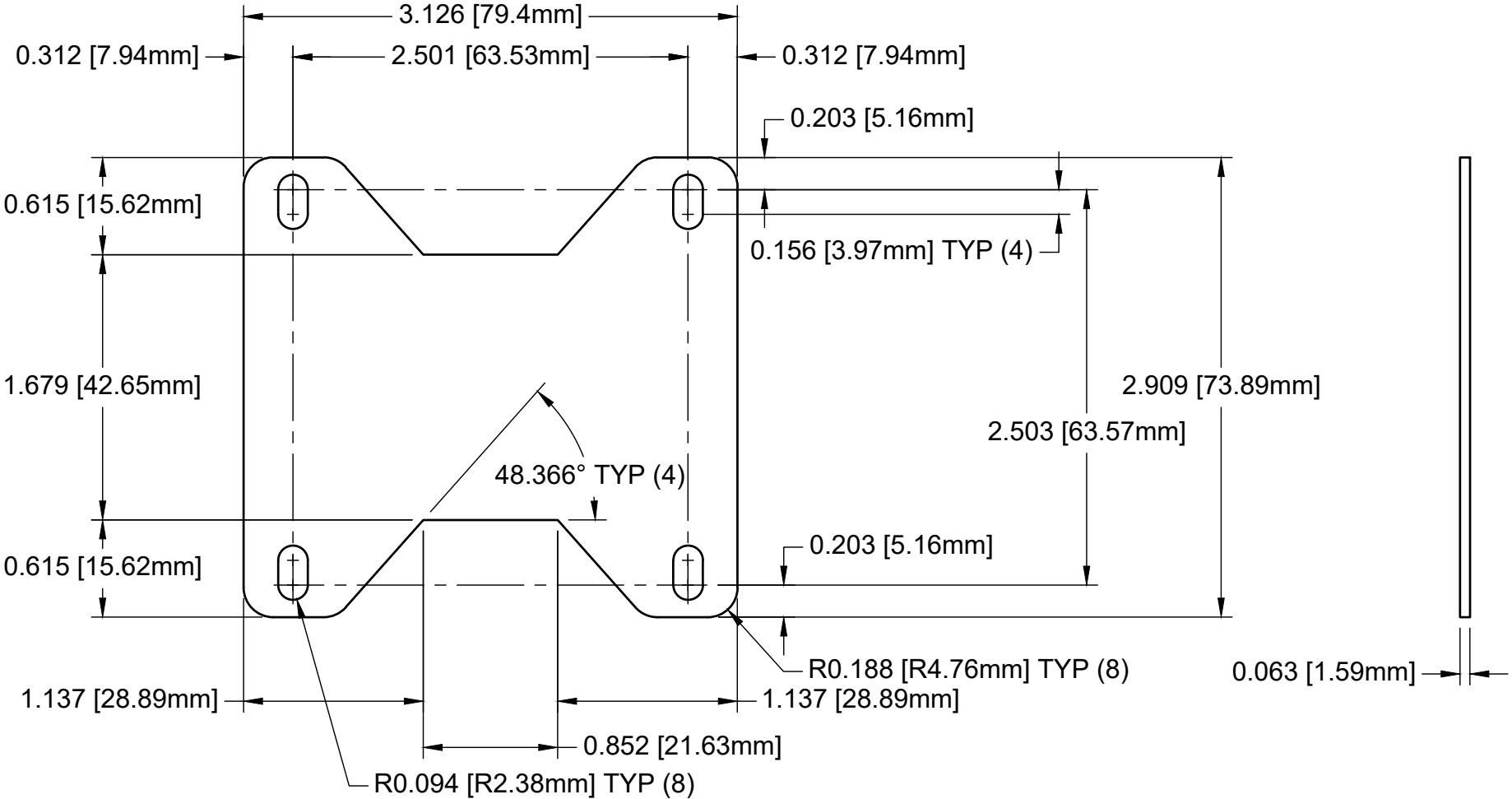


**SPECIFICATIONS**

High Temp Silicone Rubber, 60A Commercial Grade



DIMENSIONS ARE IN INCHES [MILLIMETERS].  
 X.XXX = ±0.010  
 X.XX = ±0.03  
 ANGLES = ±0.05  
 UNLESS OTHERWISE SPECIFIED

**EDCOR**  
 Electronics Corporation

7130 National Parks Highway  
 Carlsbad, NM 88220 U.S.A  
[edcorusa.com](http://edcorusa.com)

TITLE  
**EI100 x 1 1/2" Horizontal End Bell Mounting Insulator**

DRAWING BY <b>Brian Weston</b>	Date <b>04/05/2023</b>
CHECKED BY <b>Brian Weston</b>	Date <b>04/05/2023</b>
APPROVED BY <b>Brian Weston</b>	Date <b>04/05/2023</b>

SIZE <b>A</b>	CAGE CODE: <b>334U2</b>	DRAWING NO. <b>20000-SI100-150-HX</b>	REV
------------------	----------------------------	--	-----

SCALE: 1:1      © 2023 EDCOR Electronics Corporation      SHEET: 1 of 1