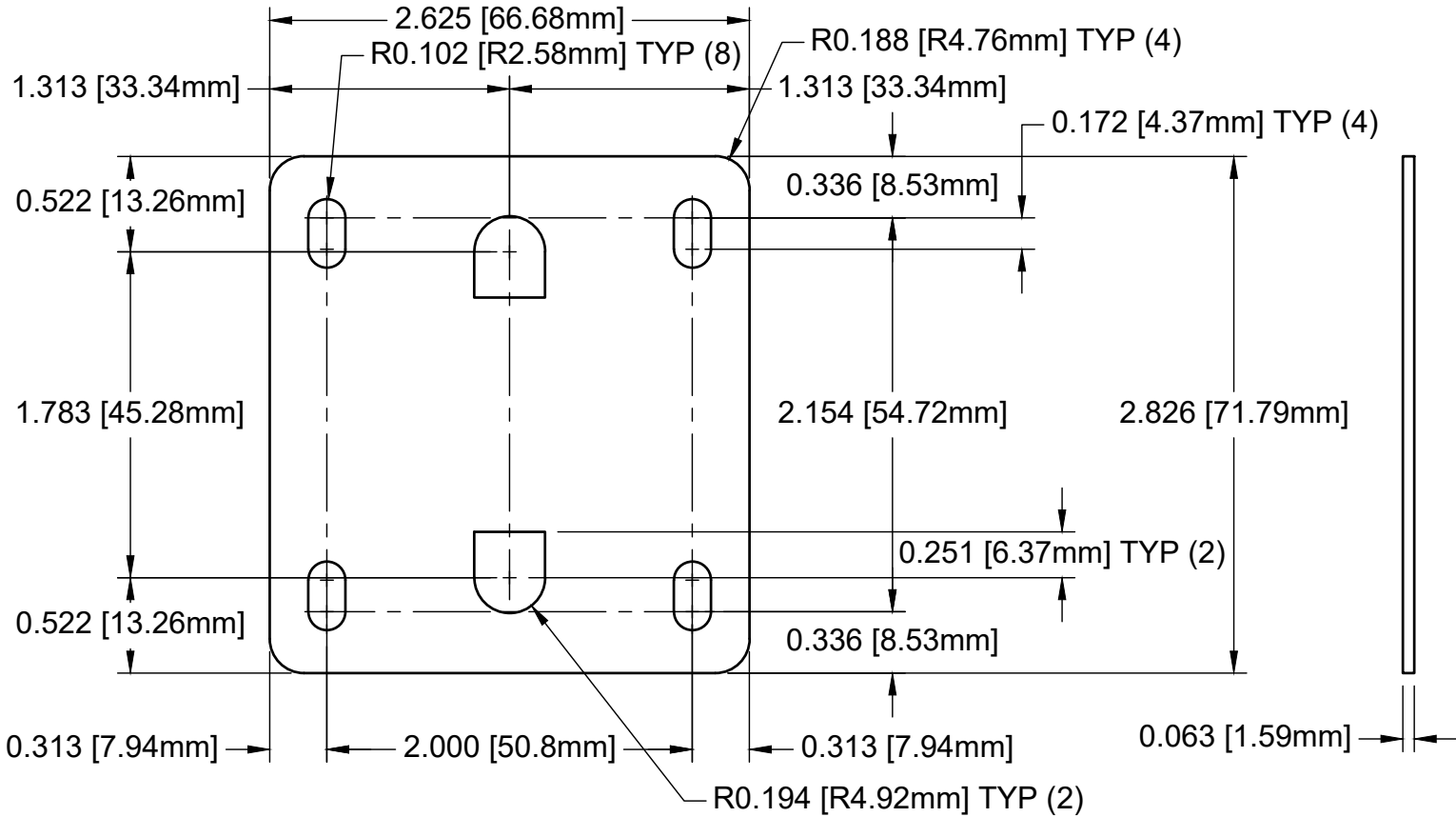


**SPECIFICATIONS**

High Temp Silicone Rubber, 60A Commercial Grade



DIMENSIONS ARE IN INCHES [MILLIMETERS].  
X.XXX = ±0.010  
X.XX = ±0.03  
ANGLES = ±0.05  
UNLESS OTHERWISE SPECIFIED

DRAWING BY <b>Brian Weston</b>	Date <b>03/30/2023</b>
CHECKED BY <b>Brian Weston</b>	Date <b>04/03/2023</b>
APPROVED BY <b>Brian Weston</b>	Date <b>04/03/2023</b>

**EDCOR**  
Electronics Corporation

7130 National Parks Highway  
Carlsbad, NM 88220 U.S.A  
[edcorusa.com](http://edcorusa.com)

TITLE  
**EI100 x 1 1/4" Vertical End Bell Mounting Insulator**

SIZE <b>A</b>	CAGE CODE: <b>334U2</b>	DRAWING NO. <b>20000-SI100-125-VX</b>	REV
SCALE: <b>1:1</b>		© 2023 EDCOR Electronics Corporation	SHEET: <b>1 of 1</b>