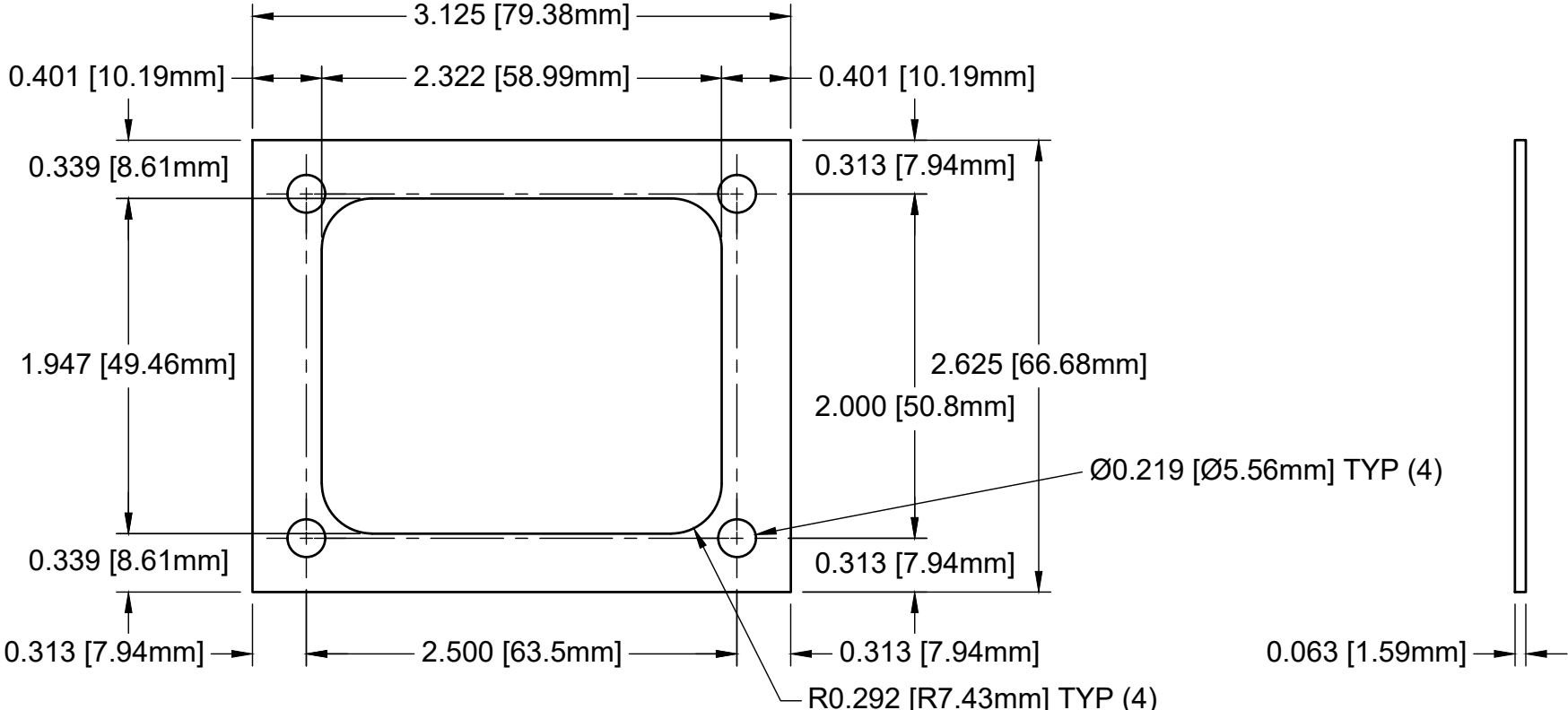


SPECIFICATIONS

High Temp Silicone Rubber, 60A Commercial Grade



DIMENSIONS ARE IN INCHES [MILLIMETERS].
 X.XXX = ±0.010
 X.XX = ±0.03
 ANGLES = ±0.05
 UNLESS OTHERWISE SPECIFIED

DRAWING BY Brian Weston	Date .4/03/2023
CHECKED BY Brian Weston	Date .4/03/2023
APPROVED BY Brian Weston	Date .4/03/2023

EDCOR
 Electronics Corporation
 7130 National Parks Highway
 Carlsbad, NM 88220 U.S.A
edcorusa.com

TITLE
EI100 x 1 1/4" Flat End Bell Mounting Insulator

SIZE A	CAGE CODE: 334U2	DRAWING NO. 20000-SI100-000-ZX	REV
SCALE: 1:1		© 2023 EDCOR Electronics Corporation	SHEET: 1 of 1