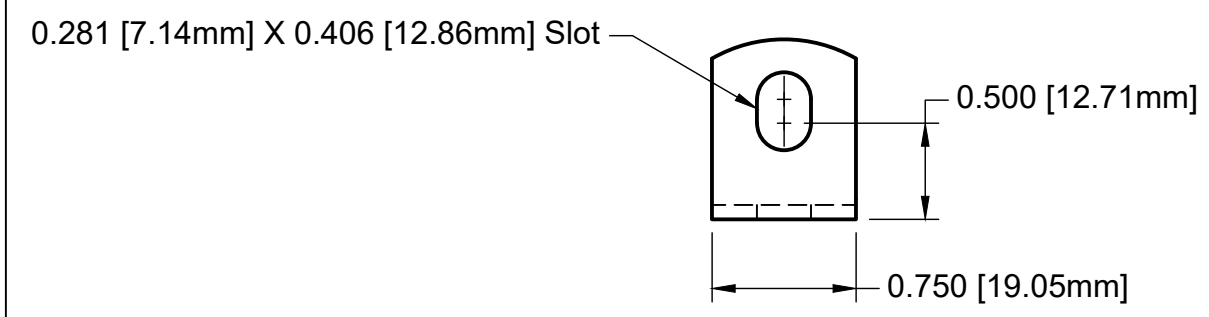
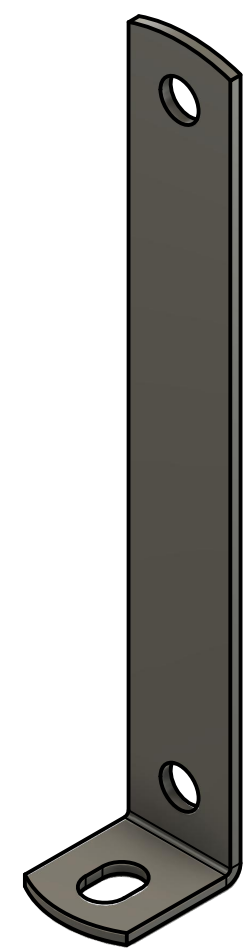
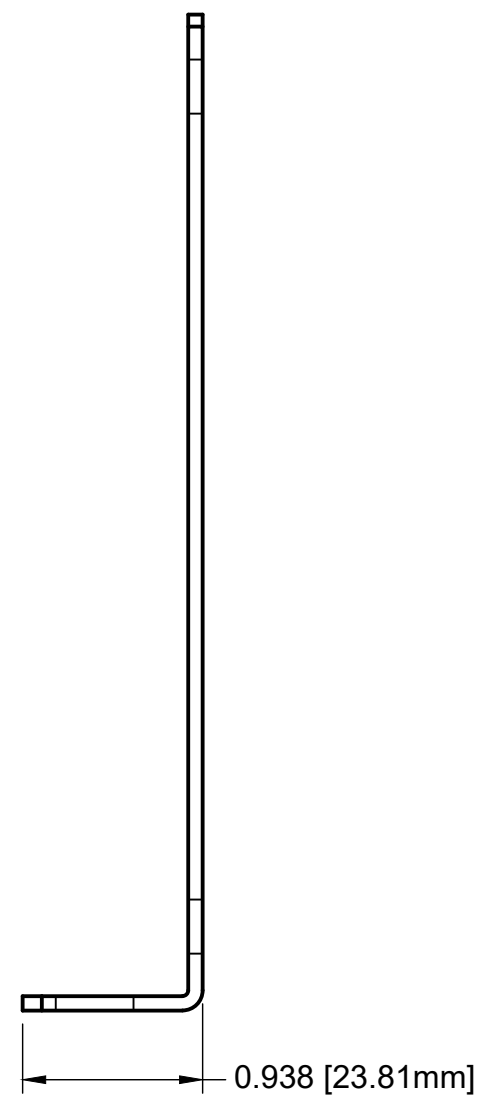
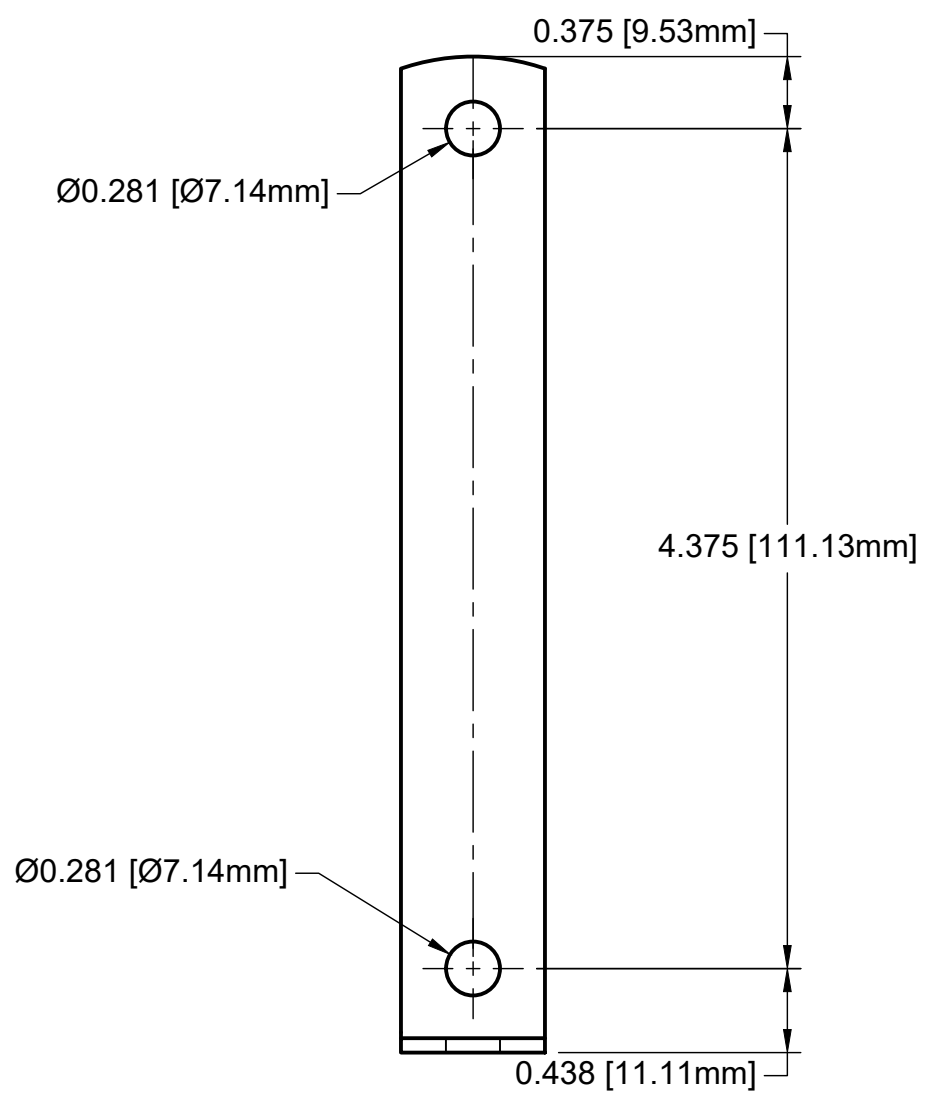


SPECIFICATIONS	
Type	Bracket
Core Size	EI175 (1.75)
Material	14 ga. Cold Rolled Steel
Orientation	Vertical
Coating	Zinc plated
Compliance	RoHS & REACH



DIMENSIONS ARE IN INCHES [MILLIMETERS]. X.XXX = ±0.010 X.XX = ±0.03 ANGLES = ±0.05 UNLESS OTHERWISE SPECIFIED		EDCOR Electronics Corporation		7130 National Parks Highway Carlsbad, NM 88220 U.S.A edcorusa.com	
DRAWING BY Brian Weston		Date 5/16/2023		TITLE 1.75" (1-3/4) Vertical Bracket TMB-476	
CHECKED BY Brian Weston		Date 5/16/2023		SIZE B	CAGE CODE: 334U2
APPROVED BY Brian Weston		Date 5/16/2023		DRAWING NO. 20000-BR175-476-0V	
		SCALE: 1:1		© 2023 EDCOR Electronics Corporation	
				SHEET: 1 of 1	